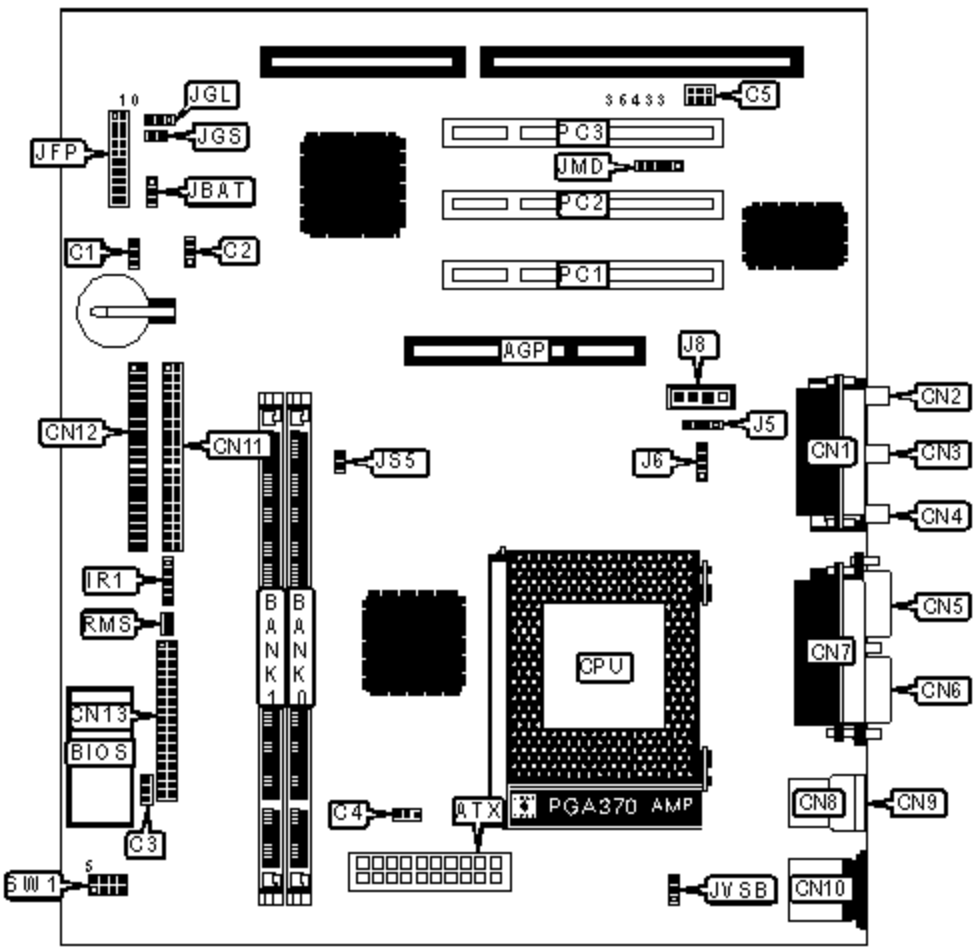


MICRO-STAR INTERNATIONAL CO.,LTD.

MS-6154

Device Type	Mainboard
Processor	Celeron
Processor Speed	233/266/300/333/366/400MHz
Chip Set	Intel 440ZX
Maximum Onboard Memory	256MB (SDRAM supported)
Audio Chip Set	ESS
Cache	128KB (located on Celeron CPU)
BIOS	Unidentified
Dimensions	244mm x 192mm
I/O Options	32-bit PCI slots (3), floppy drive interface, game/MIDI port, green PC connector, IDE interfaces (2), parallel port, PS/2 mouse port, serial ports (2), IR connector, USB connectors (2), ATX power connector, AGP slot, line in, line out, microphone in, audio in - CD-ROM, SB-link connector, wake on LAN connector, wake on modem connector



CONNECTIONS

Purpose	Location	Purpose	Location
AGP slot	AGP	IDE interface 1	CN12
ATX power connector	ATX	Floppy drive interface	CN13
Chassis fan power	C1	IR connector	IR1
Wake on LAN connector	C2	Chassis intrusion connector	J2

Power fan power	C3	Auxiliary in	J5
CPU fan power	C4	Modem in connector	J6
SB-link connector	C5	Audio in - CD-ROM	J8
Game/MIDI port	CN1	Keylock	JFP/pins 1 & 10
Microphone in	CN2	IDE interface LED	JFP/pins 3 & 13
Line in	CN3	Power LED	JFP/pins 4 - 6
Line out	CN4	Soft off power supply	JFP/pins 7 & 8
Serial port 2	CN5	Speaker	JFP/pins 13 - 16
Serial port 1	CN6	Reset switch	JFP/pins 17 & 18
Parallel port	CN7	Green PC LED	JGL
USB connector 1	CN8	Green PC connector	JGS
USB connector 2	CN9	Wake on modem connector	JMD
PS/2 mouse port	CN10	32-bit PCI slots	PC1 - PC3
IDE interface 2	CN11	Remote power on/off switch	RMS

USER CONFIGURABLE SETTINGS

Function		Label	Position
»	CMOS memory normal operation	JBAT	Pins 1 & 2 closed
	CMOS memory clear	JBAT	Pins 2 & 3 closed
»	Keyboard power on disabled	JVSB	Pins 2 & 3 closed
	Keyboard power on enabled	JVSB	Pins 1 & 2 closed

DIMM CONFIGURATION

Size	Bank 0	Bank 1
8MB	(1) 1M x 64	None
16MB	(1) 2M x 64	None
16MB	(1) 1M x 64	(1) 1M x 64

24MB	(1) 2M x 64	(1) 1M x 64
32MB	(1) 4M x 64	None
32MB	(1) 2M x 64	(1) 2M x 64
40MB	(1) 4M x 64	(1) 1M x 64
48MB	(1) 4M x 64	(1) 2M x 64
64MB	(1) 8M x 64	None
64MB	(1) 4M x 64	(1) 4M x 64
72MB	(1) 8M x 64	(1) 1M x 64
80MB	(1) 8M x 64	(1) 2M x 64
96MB	(1) 8M x 64	(1) 4M x 64
128MB	(1) 16M x 64	None
128MB	(1) 8M x 64	(1) 8M x 64
136MB	(1) 16M x 64	(1) 1M x 64
144MB	(1) 16M x 64	(1) 2M x 64
160MB	(1) 16M x 64	(1) 4M x 64
192MB	(1) 16M x 64	(1) 8M x 64
256MB	(1) 16M x 64	(1) 16M x 64
Note: Board accepts SDRAM memory.		

CACHE CONFIGURATION

Note: 128KB cache is located on the Celeron CPU.

CPU SPEED SELECTION

CPU speed	Clock speed	Multiplier	SW1/pins 1 & 5	SW1/pins 2 & 6
233MHz	66MHz	3.5x	Closed	Open
266MHz	66MHz	4x	Closed	Closed
300MHz	66MHz	4.5x	Closed	Open
333MHz	66MHz	5x	Closed	Closed

366MHz	66MHz	5.5x	Closed	Open
--------	-------	------	--------	------

CPU SPEED SELECTION (CON'T)				
CPU speed	Clock speed	Multiplier	SW1/pins 3 & 7	SW1/pins 4 & 8
233MHz	66MHz	3.5x	Open	Closed
266MHz	66MHz	4x	Closed	Open
300MHz	66MHz	4.5x	Closed	Open
333MHz	66MHz	5x	Open	Open
366MHz	66MHz	5.5x	Open	Open

CPU FREQUENCY SELECTION	
Speed	JS5
Auto detect	Closed
66MHz	Open