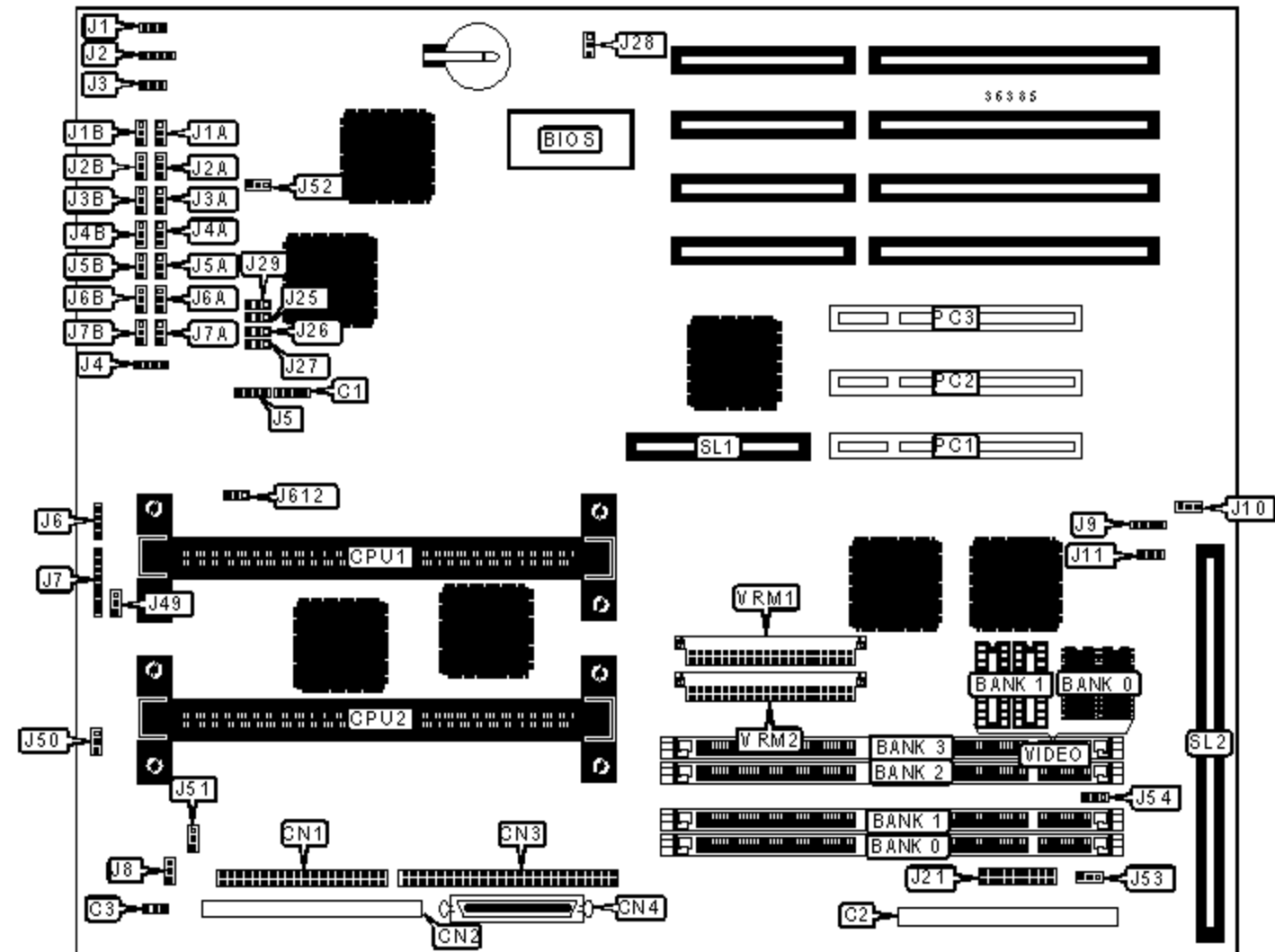


# ZENITH DATA SYSTEMS

## EXPRESS 5800 MT2200

Device Type	Mainboard
Processor	Pentium II
Processor Speed	200MHz
Chip Set	Unidentified
Video Chip Set	Unidentified
Maximum Onboard Memory	512MB
Maximum Video Memory	2MB
Cache	256/512KB (located on Pentium II CPU)
BIOS	Unidentified
Dimensions	355mm x 304mm
I/O Options	32-bit PCI slots (3), floppy drive interface, Narrow SCSI interface, Wide SCSI interface, VRM connectors (2), RAID slot



### CONNECTIONS

Purpose	Location	Purpose	Location
Speaker	C1	Wide SCSI interface	CN4
Chassis fan power	C3	32-bit PCI slots	PC1 - PC3
Floppy drive interface	CN1	RAID slot	SL1

Front panel connector	CN2	Riser board connector	SL2
Narrow SCSI interface	CN3		

### USER CONFIGURABLE SETTINGS

Function		Label	Position
»	Factory configured - do not alter	C2	Unidentified
»	Factory configured - do not alter	J1	Unidentified
»	CMOS memory normal operation	J1B	Pins 1 & 2 closed
	CMOS memory clear	J1B	Pins 2 & 3 closed
»	Factory configured - do not alter	J2	Unidentified
»	Password enabled	J2B	Pins 1 & 2 closed
	Password disabled	J2B	Pins 2 & 3 closed
»	Factory configured - do not alter	J3	Unidentified
»	Factory configured - do not alter	J3B	Unidentified
»	Factory configured - do not alter	J4	Unidentified
»	Factory configured - do not alter	J4B	Pins 1 & 2 closed
»	Factory configured - do not alter	J5	Unidentified
»	Factory configured - do not alter	J5A	Pins 1 & 2 closed
»	Factory configured - do not alter	J6	Unidentified
»	Flash BIOS write protect disabled	J6A	Pins 1 & 2 closed
	Flash BIOS write protect enabled	J6A	Pins 2 & 3 closed
»	Factory configured - do not alter	J6B	Unidentified
»	Factory configured - do not alter	J7	Unidentified
»	Factory configured - do not alter	J7A	Pins 2 & 3 closed
»	Factory configured - do not alter	J7B	Pins 1 & 2 closed
»	Factory configured - do not alter	J8	Unidentified

»	Factory configured - do not alter	J9	Unidentified
»	Factory configured - do not alter	J10	Unidentified
»	Factory configured - do not alter	J11	Unidentified
»	Factory configured - do not alter	J21	All jumpers closed
»	Factory configured - do not alter	J25	Pins 1 & 2 closed
»	Factory configured - do not alter	J26	Pins 1 & 2 closed
»	Factory configured - do not alter	J27	Pins 2 & 3 closed
»	Factory configured - do not alter	J28	Unidentified
»	Factory configured - do not alter	J29	Pins 2 & 3 closed
»	Factory configured - do not alter	J51	Pins 2 & 3 closed
»	Factory configured - do not alter	J52	Pins 1 & 2 closed
»	Factory configured - do not alter	J53	Pins 1 & 2 closed
»	Factory configured - do not alter	J54	Pins 1 & 2 closed
»	Hard drive LED select separate hard drive activity signals	J612	Pins 2 & 3 closed
	Hard drive LED select "OR" the 2 hard drive signals	J612	Pins 1 & 2 closed

### DIMM CONFIGURATION

Size	Bank 0	Bank 1	Bank 2	Bank 3
32MB	(1) 4M x 64	None	None	None
32MB	(1) 2M x 64	(1) 2M x 64	None	None
32MB	(1) 1M x 64	(1) 1M x 64	(1) 1M x 64	(1) 1M x 64
40MB	(1) 4M x 64	(1) 1M x 64	None	None
48MB	(1) 4M x 64	(1) 2M x 64	None	None
48MB	(1) 2M x 64	(1) 2M x 64	(1) 2M x 64	None
64MB	(1) 2M x 64	(1) 2M x 64	(1) 2M x 64	(1) 2M x 64
64MB	(1) 8M x 64	None	None	None

64MB	(1) 4M x 64	(1) 4M x 64	None	None
72MB	(1) 8M x 64	(1) 1M x 64	None	None
80MB	(1) 8M x 64	(1) 2M x 64	None	None
96MB	(1) 8M x 64	(1) 4M x 64	None	None
96MB	(1) 4M x 64	(1) 4M x 64	(1) 4M x 64	None
128MB	(1) 16M x 64	None	None	None
128MB	(1) 8M x 64	(1) 8M x 64	None	None
128MB	(1) 4M x 64	(1) 4M x 64	(1) 4M x 64	(1) 4M x 64
136MB	(1) 16M x 64	(1) 1M x 64	None	None
144MB	(1) 16M x 64	(1) 2M x 64	None	None
176MB	(1) 16M x 64	(1) 2M x 64	(1) 2M x 64	(1) 2M x 64
192MB	(1) 16M x 64	(1) 8M x 64	None	None
192MB	(1) 8M x 64	(1) 8M x 64	(1) 8M x 64	None
256MB	(1) 32M x 64	None	None	None
256MB	(1) 16M x 64	(1) 16M x 64	None	None
256MB	(1) 8M x 64	(1) 8M x 64	(1) 8M x 64	(1) 8M x 64
272MB	(1) 16M x 64	(1) 16M x 64	(1) 1M x 64	(1) 1M x 64
280MB	(1) 32M x 64	(1) 1M x 64	(1) 1M x 64	(1) 1M x 64
288MB	(1) 16M x 64	(1) 16M x 64	(1) 2M x 64	(1) 2M x 64
320MB	(1) 16M x 64	(1) 16M x 64	(1) 4M x 64	(1) 4M x 64
384MB	(1) 16M x 64	(1) 16M x 64	(1) 16M x 64	None
448MB	(1) 32M x 64	(1) 8M x 64	(1) 8M x 64	(1) 8M x 64
512MB	(1) 32M x 64	(1) 32M x 64	None	None
512MB	(1) 16M x 64	(1) 16M x 64	(1) 16M x 64	(1) 16M x 64

### CACHE CONFIGURATION

Note: 256KB/512KB cache is located on the Pentium II CPU.

**VIDEO MEMORY CONFIGURATION**

Size	Bank 0	Bank 1
1MB	(2) 256K x 16	None
2MB	(2) 256K x 16	(2) 256K x 16

**CPU SPEED SELECTION**

CPU speed	Clock speed	Multiplier	J1A	J2A	J3A	J4A	J5B
233MHz	66MHz	3.5x	1 & 2	2 & 3	1 & 2	2 & 3	2 & 3
266MHz	66MHz	4x	2 & 3	2 & 3	2 & 3	1 & 2	2 & 3

Note: Pins designated should be in the closed position.

**CPU TYPE SELECTION**

Type	J49	J50
» CPU1 installed	Pins 1 & 2 closed	N/A
CPU1 not installed	Pins 2 & 3 closed	N/A
CPU2 installed	N/A	Pins 1 & 2 closed
CPU2 not installed	N/A	Pins 2 & 3 closed