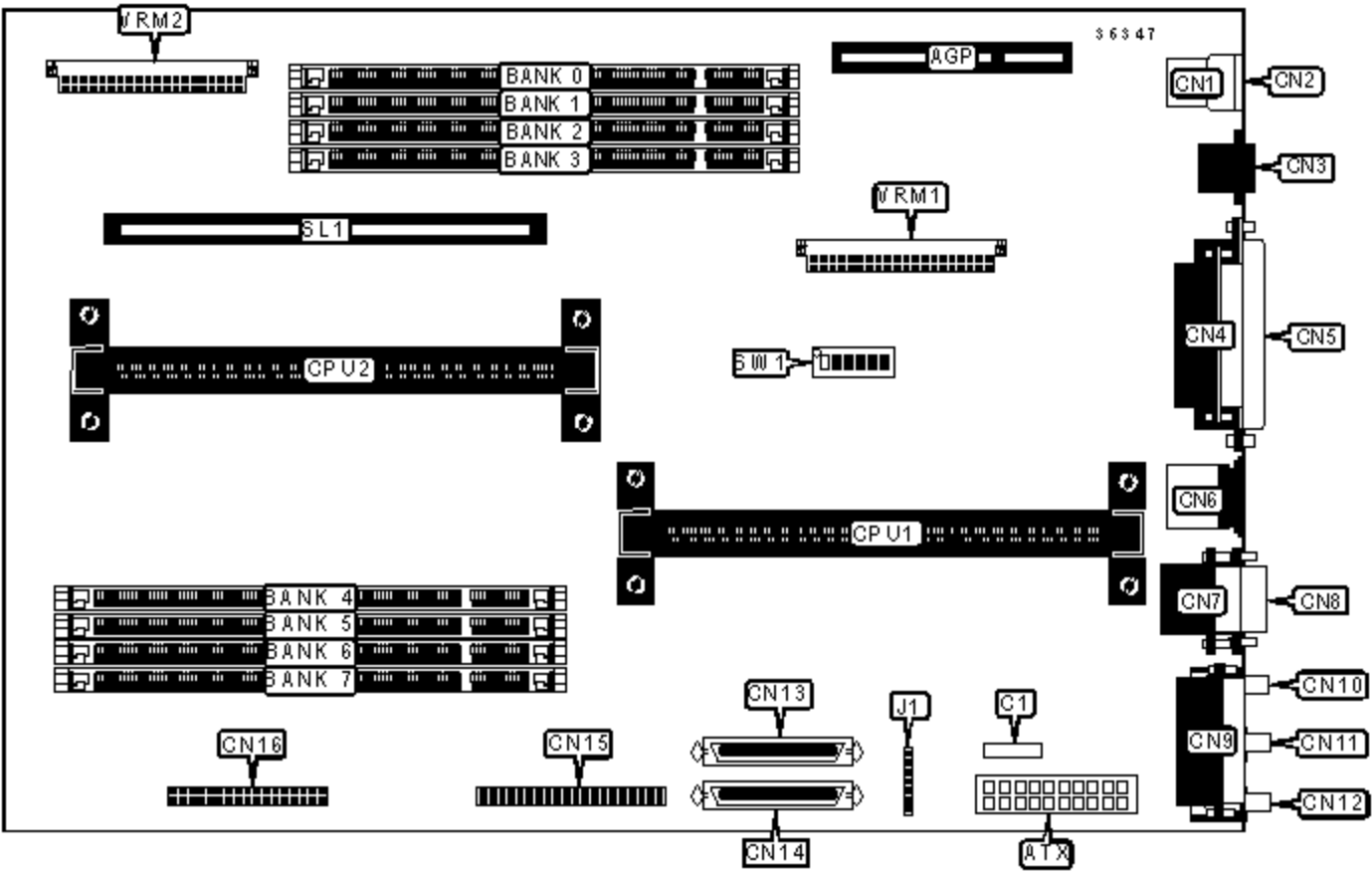


# COMPAQ COMPUTER CORPORATION

## PROFESSIONAL WORKSTATION SP700

<b>Device Type</b>	Mainboard
<b>Processor</b>	Pentium II
<b>Processor Speed</b>	400/450MHz
<b>Chip Set</b>	Unidentified
<b>Maximum Onboard Memory</b>	4GB (SDRAM supported)
<b>Cache</b>	512KB (located on Pentium II CPU)
<b>BIOS</b>	Unidentified
<b>Dimensions</b>	330mm x 218mm
<b>I/O Options</b>	Ethernet 10BaseT connector, floppy drive interface, IDE interface, SCSI interfaces (2), parallel port, PS/2 mouse port, serial ports (2), VRM connectors (2), USB connectors (2), ATX power connector, AGP slot, game/MIDI port, microphone in, line in, line out



### CONNECTIONS

Purpose	Location	Purpose	Location
AGP slot	AGP	Game/MIDI port	CN9
ATX power connector	ATX	Microphone in	CN10
Power LED & keylock	C1	Line out	CN11
USB connector 1	CN1	Line in	CN12
USB connector 2	CN2	SCSI interface	CN13
Ethernet 10BaseT connector	CN3	SCSI interface	CN14

Parallel port	CN4	IDE interface	CN15
External SCSI port	CN5	Floppy drive interface	CN16
PS/2 mouse port	CN6	Riser slot	SL1
Serial port	CN7	VRM connector	VRM1
Serial port	CN8	VRM connector	VRM2

### USER CONFIGURABLE SETTINGS

Function		Label	Position
<input type="checkbox"/>	Password enabled	SW1/1	On
<input type="checkbox"/>	Password disabled	SW1/1	Off

### DIMM CONFIGURATION

Size	Bank 0	Bank 1	Bank 2	Bank 3
32MB	(1) 4M x 64	None	None	None
64MB	(1) 8M x 64	None	None	None
64MB	(1) 4M x 64	(1) 4M x 64	None	None
96MB	(1) 8M x 64	(1) 4M x 64	None	None
96MB	(1) 4M x 64	(1) 4M x 64	(1) 4M x 64	None
128MB	(1) 16M x 64	None	None	None
128MB	(1) 8M x 64	(1) 8M x 64	None	None
128MB	(1) 4M x 64	(1) 4M x 64	(1) 4M x 64	(1) 4M x 64
192MB	(1) 16M x 64	(1) 8M x 64	None	None
192MB	(1) 8M x 64	(1) 8M x 64	(1) 8M x 64	None
256MB	(1) 32M x 64	None	None	None
256MB	(1) 16M x 64	(1) 16M x 64	None	None
256MB	(1) 8M x 64	(1) 8M x 64	(1) 8M x 64	(1) 8M x 64
320MB	(1) 16M x 64	(1) 16M x 64	(1) 4M x 64	(1) 4M x 64

384MB	(1) 16M x 64	(1) 16M x 64	(1) 16M x 64	None
448MB	(1) 32M x 64	(1) 8M x 64	(1) 8M x 64	(1) 8M x 64
512MB	(1) 32M x 64	(1) 32M x 64	None	None
512MB	(1) 16M x 64	(1) 16M x 64	(1) 16M x 64	(1) 16M x 64
640MB	(1) 32M x 64	(1) 16M x 64	(1) 16M x 64	(1) 16M x 64
768MB	(1) 32M x 64	(1) 32M x 64	(1) 32M x 64	None
1024MB	(1) 32M x 64	(1) 32M x 64	(1) 32M x 64	(1) 32M x 64

<b>DIMM CONFIGURATION</b>				
<b>Size</b>	<b>Bank 0</b>	<b>Bank 1</b>	<b>Bank 2</b>	<b>Bank 3</b>
512MB	(1) 64M x 64	None	None	None
1024MB	(1) 64M x 64	(1) 64M x 64	None	None
1536MB	(1) 64M x 64	(1) 64M x 64	(1) 64M x 64	None
2048MB	(1) 64M x 64	(1) 64M x 64	(1) 64M x 64	(1) 64M x 64
Note: Board accepts SDRAM memory.				

<b>DIMM CONFIGURATION (CON'T)</b>				
<b>Size</b>	<b>Bank 4</b>	<b>Bank 5</b>	<b>Bank 6</b>	<b>Bank 7</b>
32MB	(1) 4M x 64	None	None	None
64MB	(1) 8M x 64	None	None	None
64MB	(1) 4M x 64	(1) 4M x 64	None	None
96MB	(1) 8M x 64	(1) 4M x 64	None	None
96MB	(1) 4M x 64	(1) 4M x 64	(1) 4M x 64	None
128MB	(1) 16M x 64	None	None	None
128MB	(1) 8M x 64	(1) 8M x 64	None	None
128MB	(1) 4M x 64	(1) 4M x 64	(1) 4M x 64	(1) 4M x 64
192MB	(1) 16M x 64	(1) 8M x 64	None	None
192MB	(1) 8M x 64	(1) 8M x 64	(1) 8M x 64	None

256MB	(1) 32M x 64	None	None	None
256MB	(1) 16M x 64	(1) 16M x 64	None	None
256MB	(1) 8M x 64	(1) 8M x 64	(1) 8M x 64	(1) 8M x 64
320MB	(1) 16M x 64	(1) 16M x 64	(1) 4M x 64	(1) 4M x 64
384MB	(1) 16M x 64	(1) 16M x 64	(1) 16M x 64	None
448MB	(1) 32M x 64	(1) 8M x 64	(1) 8M x 64	(1) 8M x 64
512MB	(1) 32M x 64	(1) 32M x 64	None	None
512MB	(1) 16M x 64	(1) 16M x 64	(1) 16M x 64	(1) 16M x 64
640MB	(1) 32M x 64	(1) 16M x 64	(1) 16M x 64	(1) 16M x 64
768MB	(1) 32M x 64	(1) 32M x 64	(1) 32M x 64	None
1024MB	(1) 32M x 64	(1) 32M x 64	(1) 32M x 64	(1) 32M x 64
512MB	(1) 64M x 64	None	None	None
1024MB	(1) 64M x 64	(1) 64M x 64	None	None
1536MB	(1) 64M x 64	(1) 64M x 64	(1) 64M x 64	None
2048MB	(1) 64M x 64	(1) 64M x 64	(1) 64M x 64	(1) 64M x 64

Note: Board accepts SDRAM memory. For maximum memory of 4GB, fully populate all 8 banks.

### CACHE CONFIGURATION

Note: 512KB cache is located on the Pentium II CPU.

### CPU SPEED SELECTION

CPU speed	Clock speed	Multiplier	SW1/2	SW1/3	SW1/4	SW1/5	SW1/6
400MHz	100MHz	4x	Off	On	On	Off	Off
450MHz	100MHz	4.5x	Off	On	Off	Off	Off

### BATTERY SELECTION

Setting	J1

External battery connection	Closed
External battery jumper	Pins 5 & 6 closed
Internal battery jumper	Pins 6 & 7 closed