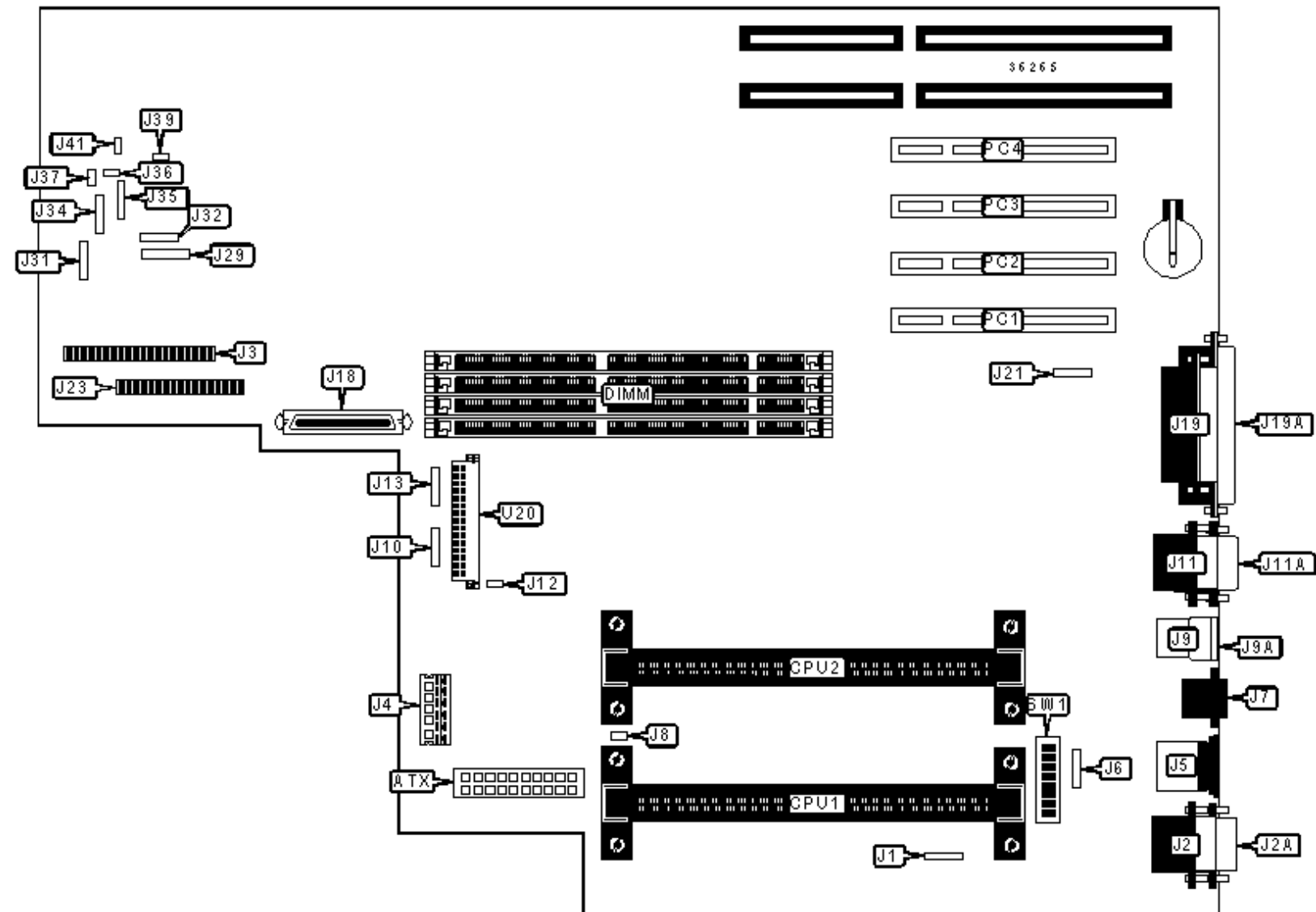


# IBM CORPORATION

## NETFINITY 5000 (TYPE 8659)

<b>Device Type</b>	Mainboard
<b>Processor</b>	Pentium II
<b>Processor Speed</b>	350/400/450MHz
<b>Chip Set</b>	Unidentified
<b>Video Chip Set</b>	Unidentified
<b>Maximum Onboard Memory</b>	1GB (SDRAM supported)
<b>Maximum Video Memory</b>	1MB
<b>Cache</b>	512KB (located on the Pentium II CPU)
<b>BIOS</b>	Unidentified
<b>Dimensions</b>	305mm x 244mm
<b>I/O Options</b>	32-bit PCI slots (4), Ethernet 10BaseT connector, floppy drive interface, IDE interface, SCSI interface, parallel port, PS/2 mouse port, serial ports (2), VGA port, VRM connector, USB connectors (2), ATX power connector



### CONNECTIONS

Purpose	Location	Purpose	Location
ATX power connector	ATX	Chassis fan power 1	J13
Serial port 1	J2	SCSI interface	J18

Serial port 2	J2A	Parallel port	J19
IDE interface	J3	SCSI interface	J19A
Power connector	J4	System management connector	J21
PS/2 mouse port	J5	Floppy drive interface	J23
Chassis fan power 2	J6	Front panel connector	J29
Ethernet 10BaseT connector	J7	Power on switch panel	J34
USB connector 1	J9	RS-485 connector	J35
USB connector 2	J9A	Reset switch	J39
Power supply data connector	J10	32-bit PCI slots	PC1 - PC4
Management C port connector	J11	VRM connector	U20
VGA port	J11A		

### USER CONFIGURABLE SETTINGS

Function		Label	Position
»	Factory configured - do not alter	J1	Unidentified
»	Factory configured - do not alter	J8	Unidentified
»	Factory configured - do not alter	J12	Unidentified
»	Factory configured - do not alter	J31	Unidentified
»	Factory configured - do not alter	J32	Unidentified
»	Factory configured - do not alter	J36	Unidentified
»	Factory configured - do not alter	J37	Unidentified
»	Factory configured - do not alter	J41	Unidentified
»	BIOS normal operation	SW1/5	Off
	BIOS recovery mode	SW1/5	On
»	Power on override disabled	SW1/7	Off
	Power on override enabled	SW1/7	On
»	Password enabled	SW1/8	Off

Password disabled

SW1/8

On

**DIMM CONFIGURATION**

Size	Bank 0	Bank 1	Bank 2	Bank 3
64MB	(1) 8M x 64	None	None	None
64MB	(1) 4M x 64	(1) 4M x 64	None	None
72MB	(1) 8M x 64	(1) 1M x 64	None	None
80MB	(1) 8M x 64	(1) 2M x 64	None	None
96MB	(1) 8M x 64	(1) 4M x 64	None	None
96MB	(1) 4M x 64	(1) 4M x 64	(1) 4M x 64	None
128MB	(1) 16M x 64	None	None	None
128MB	(1) 8M x 64	(1) 8M x 64	None	None
128MB	(1) 4M x 64	(1) 4M x 64	(1) 4M x 64	(1) 4M x 64

**DIMM CONFIGURATION (CON'T)**

Size	Bank 0	Bank 1	Bank 2	Bank 3
136MB	(1) 16M x 64	(1) 1M x 64	None	None
144MB	(1) 16M x 64	(1) 2M x 64	None	None
176MB	(1) 16M x 64	(1) 2M x 64	(1) 2M x 64	(1) 2M x 64
192MB	(1) 16M x 64	(1) 8M x 64	None	None
192MB	(1) 8M x 64	(1) 8M x 64	(1) 8M x 64	None
256MB	(1) 32M x 64	None	None	None
256MB	(1) 16M x 64	(1) 16M x 64	None	None
256MB	(1) 8M x 64	(1) 8M x 64	(1) 8M x 64	(1) 8M x 64
272MB	(1) 16M x 64	(1) 16M x 64	(1) 1M x 64	(1) 1M x 64
280MB	(1) 32M x 64	(1) 1M x 64	(1) 1M x 64	(1) 1M x 64
288MB	(1) 16M x 64	(1) 16M x 64	(1) 2M x 64	(1) 2M x 64
320MB	(1) 16M x 64	(1) 16M x 64	(1) 4M x 64	(1) 4M x 64

384MB	(1) 16M x 64	(1) 16M x 64	(1) 16M x 64	None
448MB	(1) 32M x 64	(1) 8M x 64	(1) 8M x 64	(1) 8M x 64
512MB	(1) 32M x 64	(1) 32M x 64	None	None
512MB	(1) 16M x 64	(1) 16M x 64	(1) 16M x 64	(1) 16M x 64
640MB	(1) 32M x 64	(1) 16M x 64	(1) 16M x 64	(1) 16M x 64
768MB	(1) 32M x 64	(1) 32M x 64	(1) 32M x 64	None
1024MB	(1) 32M x 64	(1) 32M x 64	(1) 32M x 64	(1) 32M x 64

Note: Board accepts SDRAM memory.

**CACHE CONFIGURATION**

Note: 512KB cache is located on the Pentium II CPU.

**VIDEO MEMORY CONFIGURATION**

Note: The location of the video memory is unidentified.

**CPU SPEED SELECTION**

CPU speed	Clock speed	Multiplier	SW1/1	SW1/2	SW1/3	SW1/4
350MHz	100MHz	3.5x	On	Off	Off	On
400MHz	100MHz	4x	On	Off	On	Off
450MHz	100MHz	4.5x	On	On	On	Off

**CPU OVER DRIVE SPEED SELECTION**

Speed	SW1/6
66MHz	On
100MHz	Off