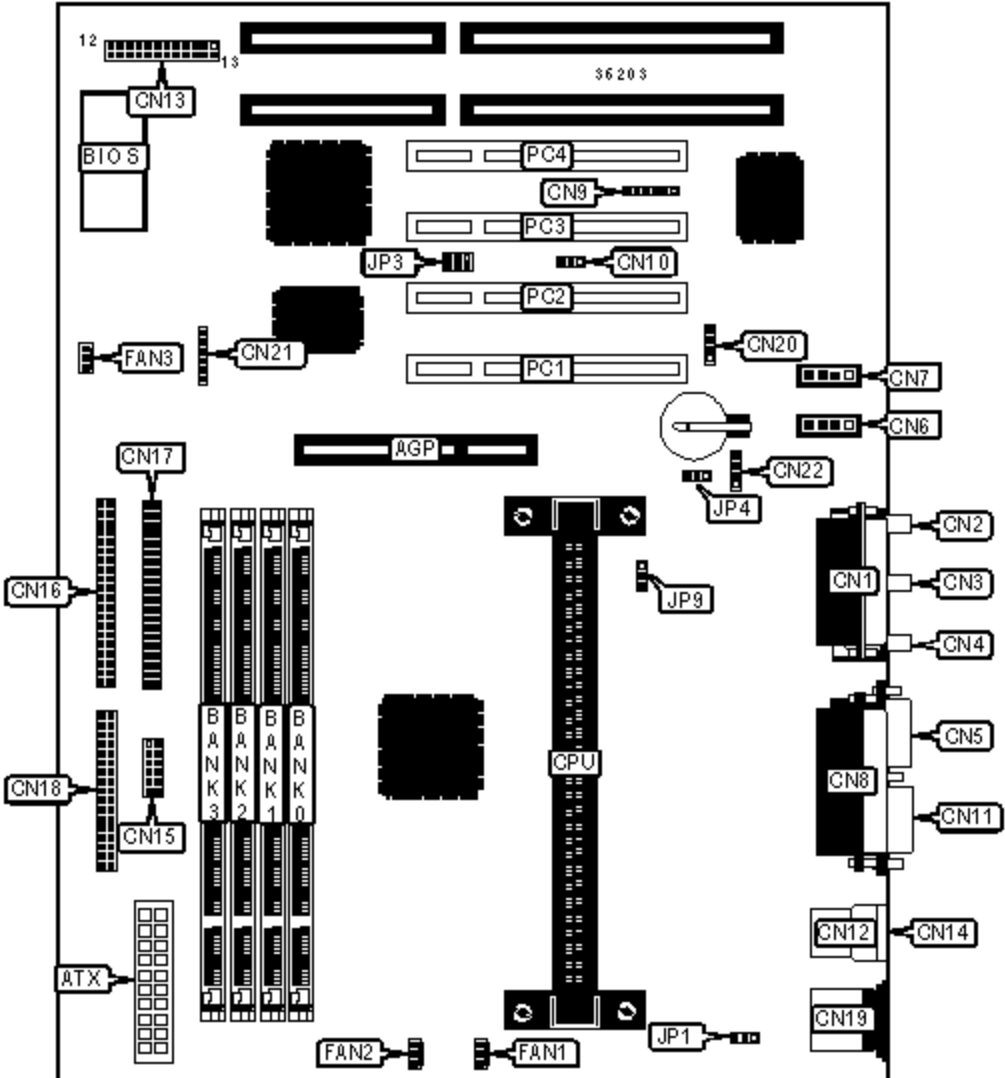


CHAINTECH COMPUTER CORPORATION

CT-6BTA3

Device Type	Mainboard
Processor	Pentium II/ Celeron
Processor Speed	233/266/300/333/350/400/450MHz
Chip Set	Intel 440BX
Maximum Onboard Memory	512MB (EDO & SDRAM supported)
Cache	256/512KB (located on the CPU)
BIOS	Award
Dimensions	305mm x 195mm
I/O Options	32-bit PCI slots (4), floppy drive interface, IDE interfaces (2), parallel port, PS/2 mouse port, game/MIDI port, serial ports (2), IR connector, USB connectors (2), ATX power connector, AGP slot, line in, line out, microphone in, audio in - CD-ROMs (2), Wake on LAN Connector



CONNECTIONS

Purpose	Location	Purpose	Location
AGP slot	AGP	Power LED	CN13/pins 13 - 15
ATX power connector	ATX	Key lock	CN13/pins 16 & 17
Game/MIDI port	CN1	Speaker	CN13/pins 19 - 22

Microphone in	CN2	Soft off power supply	CN13/pins 23 & 24
Line in	CN3	USB connector 2	CN14
Line out	CN4	Optional fan connector	CN15
Serial port 2	CN5	IDE interface 1	CN16
Audio in - CD-ROM (Sony)	CN6	IDE interface 2	CN17
Audio in - CD-ROM	CN7	Floppy drive interface	CN18
Parallel port	CN8	PS/2 mouse port	CN19
IR connector	CN9	Audio in - modem	CN20
Wake on LAN connector	CN10	I ² S in/SPDIF out	CN21
Serial port 1	CN11	Auxilliary in - DVD	CN22
USB connector 1	CN12	CPU fan power	FAN1
Turbo LED	CN13/pins 1 & 2	System 1 chassis fan power	FAN2
Green PC connector	CN13/pins 4 & 5	System 2 chassis fan power	FAN3
Green LED	CN13/pins 6 & 7	SB-Link header	JP3
Reset switch	CN13/pins 9 & 10	32-bit PCI slots	PC1 - PC4
IDE interface LED	CN13/pins 11 & 12		

USER CONFIGURABLE SETTINGS

Function		Label	Position
»	Power-on keyboard disabled	JP1	Pins 1 & 2 closed
	Power-on keyboard enabled	JP1	Pins 2 & 3 closed
»	CMOS memory normal operation	JP4	Pins 1 & 2 closed
	CMOS memory clear	JP4	Pins 2 & 3 closed
»	External clock frequency determined by CPU	JP9	Pins 2 & 3 closed
	External clock frequency set to 100MHz	JP9	Pins 1 & 2 closed

DIMM CONFIGURATION

Size	Bank 0	Bank 1	Bank 2	Bank 3
8MB	(1) 1M x 64	None	None	None
16MB	(1) 2M x 64	None	None	None
16MB	(1) 1M x 64	(1) 1M x 64	None	None
24MB	(1) 2M x 64	(1) 1M x 64	None	None
24MB	(1) 1M x 64	(1) 1M x 64	(1) 1M x 64	None
32MB	(1) 4M x 64	None	None	None
32MB	(1) 2M x 64	(1) 2M x 64	None	None
32MB	(1) 1M x 64	(1) 1M x 64	(1) 1M x 64	(1) 1M x 64
40MB	(1) 4M x 64	(1) 1M x 64	None	None
48MB	(1) 4M x 64	(1) 2M x 64	None	None
48MB	(1) 2M x 64	(1) 2M x 64	(1) 2M x 64	None
64MB	(1) 2M x 64	(1) 2M x 64	(1) 2M x 64	(1) 2M x 64
64MB	(1) 8M x 64	None	None	None
64MB	(1) 4M x 64	(1) 4M x 64	None	None

CACHE CONFIGURATION

The 128KB cache is located on the Celeron CPU. The 256/512KB cache is located on the Pentium II CPU.

DIMM CONFIGURATION (CON'T)

Size	Bank 0	Bank 1	Bank 2	Bank 3
72MB	(1) 8M x 64	(1) 1M x 64	None	None
80MB	(1) 8M x 64	(1) 2M x 64	None	None
96MB	(1) 8M x 64	(1) 4M x 64	None	None
96MB	(1) 4M x 64	(1) 4M x 64	(1) 4M x 64	None
128MB	(1) 16M x 64	None	None	None
128MB	(1) 8M x 64	(1) 8M x 64	None	None
128MB	(1) 4M x 64	(1) 4M x 64	(1) 4M x 64	(1) 4M x 64

	(1) 16M x 64	(1) 1M x 64	None	None
136MB	(1) 16M x 64	(1) 1M x 64	None	None
144MB	(1) 16M x 64	(1) 2M x 64	None	None
176MB	(1) 16M x 64	(1) 2M x 64	(1) 2M x 64	(1) 2M x 64
192MB	(1) 16M x 64	(1) 8M x 64	None	None
192MB	(1) 8M x 64	(1) 8M x 64	(1) 8M x 64	None
256MB	(1) 16M x 64	(1) 16M x 64	None	None
256MB	(1) 8M x 64	(1) 8M x 64	(1) 8M x 64	(1) 8M x 64
272MB	(1) 16M x 64	(1) 16M x 64	(1) 1M x 64	(1) 1M x 64
288MB	(1) 16M x 64	(1) 16M x 64	(1) 2M x 64	(1) 2M x 64
320MB	(1) 16M x 64	(1) 16M x 64	(1) 4M x 64	(1) 4M x 64
384MB	(1) 16M x 64	(1) 16M x 64	(1) 16M x 64	None
512MB	(1) 16M x 64	(1) 16M x 64	(1) 16M x 64	(1) 16M x 64
Note: Board accepts EDO & SDRAM memory.				