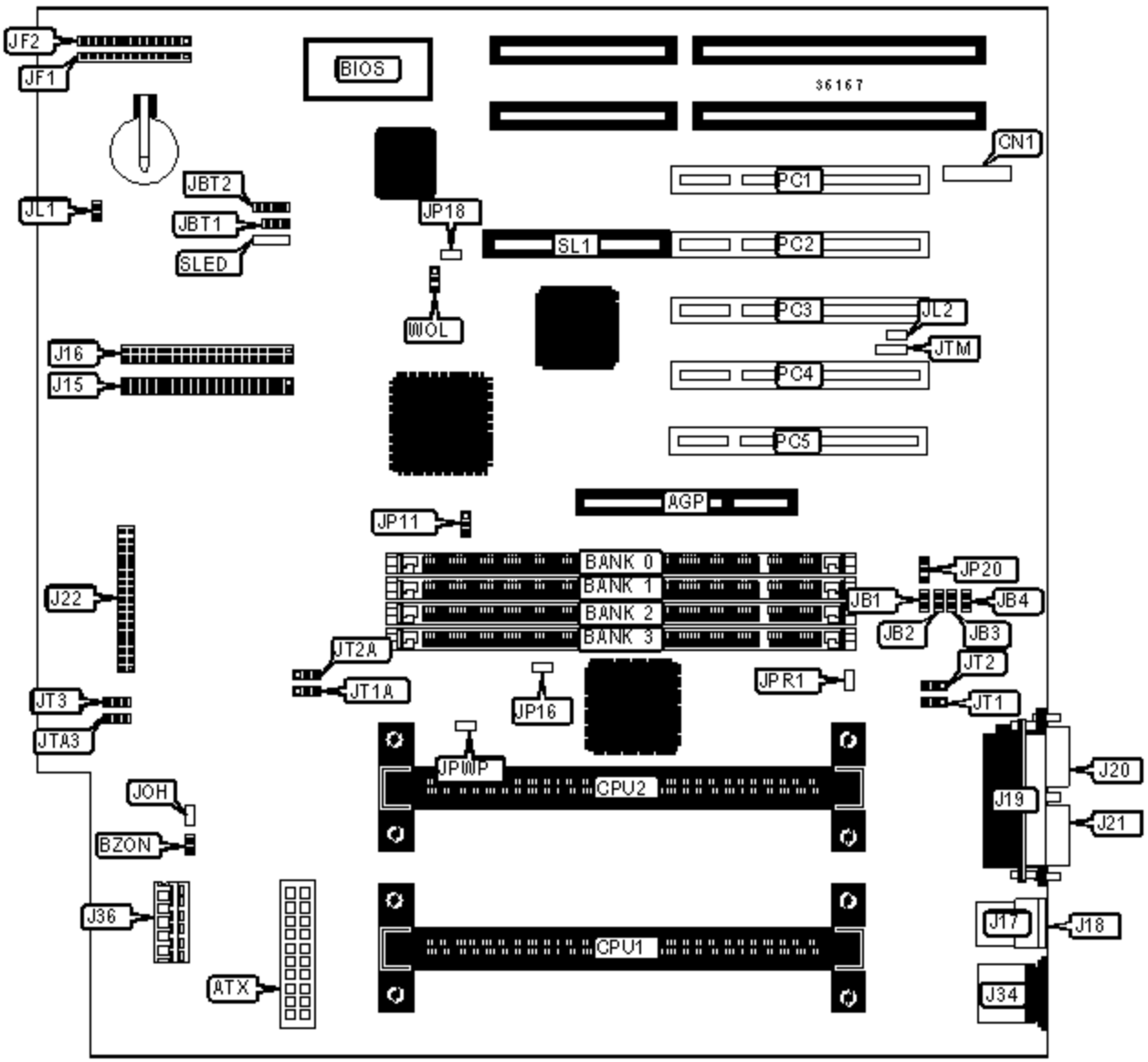


SUPER MICRO

S2DGE (REV. 1.3)

Device Type	Mainboard
Processor	Pentium II
Processor Speed	400/450MHz
Chip Set	Intel 440GX
Maximum Onboard Memory	2GB (SDRAM supported)
Cache	256/512KB (located on the Pentium II CPU)
BIOS	AMI
Dimensions	305mm x 270mm
I/O Options	32-bit PCI slots (5), floppy drive interface, green PC connector, IDE interfaces (2), SCSI-2 interface, Wide Ultra SCSI interface, Ultra SCSI interface, parallel port, PS/2 mouse port, serial ports (2), IR connector, USB connectors (2), ATX power connector, AGP slot, RAID slot



CONNECTIONS

Purpose	Location	Purpose	Location

AGP slot	AGP	Speaker connector	JF1/10 - 13
ATX power connector	ATX	IR connector	JF2/pins 1 - 8
SB-link connector	CN1	Soft off power supply	JF2/pins 9 & 10
IDE interface 1	J15	Reset switch	JF2/pins 12 & 13
IDE interface 2	J16	Chassis intrusion connector	JL1
USB connector 1	J17	Overheat LED	JOH
USB connector 2	J18	Chassis fan power	JT1
Parallel port	J19	Chassis fan power	JT1A
Serial port 1	J20	Chassis fan power	JT2
Serial port 2	J21	Chassis fan power	JT2A
Floppy drive interface	J22	Chassis fan power	JT3
PS/2 mouse and KB port	J34	Chassis fan power	JT3A
5v auxiliary power	J36	32-bit PCI slots	PC1 - PC5
External battery	JBT2	RAID slot	SL1
IDE interface LED	JF1/pins 1 - 4	SCSI interface LED	SLED
Power LED & keylock	JF1/pins 5 - 9	Wake on LAN connector	WOL

USER CONFIGURABLE SETTINGS

USER CONFIGURABLE SETTINGS			
Function		Label	Position
	Overheat buzzer disabled	BZON	Open
	Overheat buzzer enabled	BZON	Closed
»	CMOS memory normal operation	JBT1	Pins 1 & 2 closed
	CMOS memory clear	JBT1	Pins 2 & 3 closed
»	Factory configured - do not alter	JL2	Unidentified
»	Factory configured - do not alter	JP16	Unidentified
»	Factory configured - do not alter	JP18	Unidentified
»	BIOS CTL PD state	JP20	Pins 2 & 3 closed

	PIIX CTL PD state		JP20	Pins 1 & 2 closed
»	Factory configured - do not alter		JPR1	Unidentified
»	Factory configured - do not alter		JPWP	Unidentified
»	Factory configured - do not alter		JTM	Unidentified

DIMM CONFIGURATION				
Size	Bank 0	Bank 1	Bank 2	Bank 3
8MB	(1) 1M x 64	None	None	None
16MB	(1) 2M x 64	None	None	None
16MB	(1) 1M x 64	(1) 1M x 64	None	None
24MB	(1) 2M x 64	(1) 1M x 64	None	None
24MB	(1) 1M x 64	(1) 1M x 64	(1) 1M x 64	None
32MB	(1) 4M x 64	None	None	None
32MB	(1) 2M x 64	(1) 2M x 64	None	None
32MB	(1) 1M x 64	(1) 1M x 64	(1) 1M x 64	(1) 1M x 64
40MB	(1) 4M x 64	(1) 1M x 64	None	None
48MB	(1) 4M x 64	(1) 2M x 64	None	None
48MB	(1) 2M x 64	(1) 2M x 64	(1) 2M x 64	None
64MB	(1) 2M x 64	(1) 2M x 64	(1) 2M x 64	(1) 2M x 64
64MB	(1) 8M x 64	None	None	None
64MB	(1) 4M x 64	(1) 4M x 64	None	None
72MB	(1) 8M x 64	(1) 1M x 64	None	None
80MB	(1) 8M x 64	(1) 2M x 64	None	None
96MB	(1) 8M x 64	(1) 4M x 64	None	None
96MB	(1) 4M x 64	(1) 4M x 64	(1) 4M x 64	None
128MB	(1) 16M x 64	None	None	None
128MB	(1) 8M x 64	(1) 8M x 64	None	None
128MB	(1) 4M x 64	(1) 4M x 64	(1) 4M x 64	(1) 4M x 64

136MB	(1) 16M x 64	(1) 1M x 64	None	None
144MB	(1) 16M x 64	(1) 2M x 64	None	None
176MB	(1) 16M x 64	(1) 2M x 64	(1) 2M x 64	(1) 2M x 64
192MB	(1) 16M x 64	(1) 8M x 64	None	None
192MB	(1) 8M x 64	(1) 8M x 64	(1) 8M x 64	None
256MB	(1) 32M x 64	None	None	None
256MB	(1) 16M x 64	(1) 16M x 64	None	None
256MB	(1) 8M x 64	(1) 8M x 64	(1) 8M x 64	(1) 8M x 64
272MB	(1) 16M x 64	(1) 16M x 64	(1) 1M x 64	(1) 1M x 64
280MB	(1) 32M x 64	(1) 1M x 64	(1) 1M x 64	(1) 1M x 64
288MB	(1) 16M x 64	(1) 16M x 64	(1) 2M x 64	(1) 2M x 64
320MB	(1) 16M x 64	(1) 16M x 64	(1) 4M x 64	(1) 4M x 64
384MB	(1) 16M x 64	(1) 16M x 64	(1) 16M x 64	None

DIMM CONFIGURATION (CON'T)

Size	Bank 0	Bank 1	Bank 2	Bank 3
448MB	(1) 32M x 64	(1) 8M x 64	(1) 8M x 64	(1) 8M x 64
512MB	(1) 64M x 64	None	None	None
512MB	(1) 32M x 64	(1) 32M x 64	None	None
512MB	(1) 16M x 64	(1) 16M x 64	(1) 16M x 64	(1) 16M x 64
640MB	(1) 32M x 64	(1) 16M x 64	(1) 16M x 64	(1) 16M x 64
768MB	(1) 32M x 64	(1) 32M x 64	(1) 32M x 64	None
1024MB	(1) 64M x 64	(1) 64M x 64	None	None
1024MB	(1) 32M x 64	(1) 32M x 64	(1) 32M x 64	(1) 32M x 64
1536MB	(1) 64M x 64	(1) 64M x 64	(1) 64M x 64	None
2048MB	(1) 64M x 64	(1) 64M x 64	(1) 64M x 64	(1) 64M x 64

Note: Board accepts SDRAM memory.

CACHE CONFIGURATION

Note: 256/512KB cache is located on the Pentium II CPU.

CPU SPEED SELECTION

Multiplier	JB1	JB2	JB3	JB4
3x	Open	Closed	Open	Open
3.5x	Closed	Closed	Open	Open
4x	Closed	Closed	Open	Closed
4.5x	Open	Closed	Open	Closed
5x	Closed	Open	Open	Closed
5.5x	Open	Open	Open	Closed
6x	Closed	Closed	Closed	Open

CPU CLOCK SPEED SELECTION

Clock speed	JP11
66MHz	Pins 2 & 3 closed
100MHz	Pins 1 & 2 closed