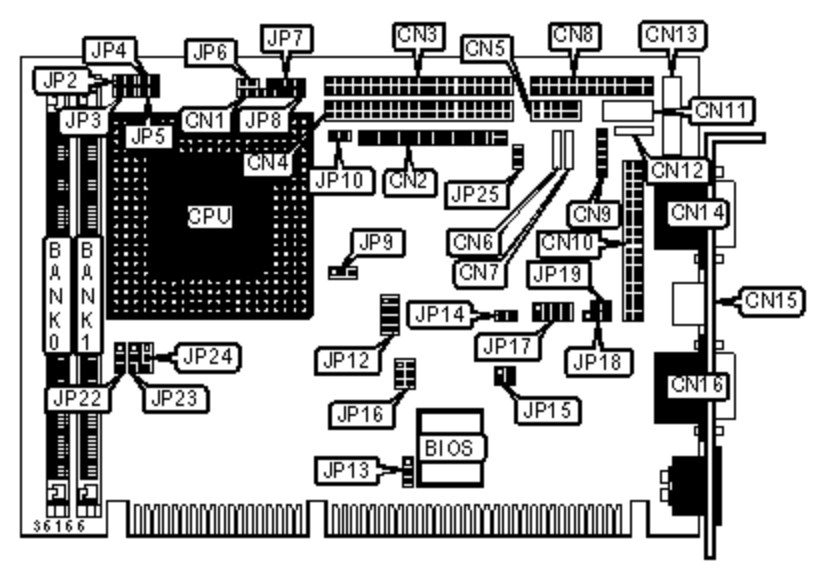


BOSER TECHNOLOGY CO., LTD.

HS-5000

Device Type	Single board computer
Processor	CX 6X86/CX MII/AM K5/AM K6/Pentium/Pentium MMX
Processor Speed	90/100/120/133/150/166/180/200/233MHz
Chip Set	SIS
Video Chip Set	Unidentified
Maximum Onboard Memory	128MB (EDO, BEDO & Fast Page DRAM supported)
Maximum Video Memory	1MB
Cache	512KB
BIOS	AMI
Dimensions	185mm x 122mm
I/O Options (backplane)	floppy drive interface, game port, game/MIDI port, IDE interfaces (2), parallel port, PS/2 mouse port, serial ports (2), VGA port, IR connector, USB connectors (2)
Data Bus	16-bit ISA



CONNECTIONS

Purpose	Location	Purpose	Location
Power LED & keylock	CN1	Ground terminal	CN11
LCD panel connector	CN2	IR connector	CN12
IDE interface	CN3	Power connector	CN13
IDE interface 2	CN4	VGA port	CN14
Serial port interface	CN5	PS/2 mouse port	CN15
USB connector	CN6	Serail port	CN16
USB connector 2	CN7	Reset switch	JP6
Parallel port	CN8	Speaker connector	JP7
Keyboard interface	CN9	IDE LED connector	JP8
Floppy drive interface	CN10		

Floppy drive interface	CN10		
------------------------	------	--	--

USER CONFIGURABLE SETTINGS

	Function	Label	Position
	Set DiskOnChip address to D000	JP15	Pins 1 & 2 closed
»	Set DiskOnChip address to D800	JP15	Pins 3 & 4 closed
»	Enable CPU temperature alarm	JP25	Closed
	Disable CPU temperature alarm	JP25	Open

SIMM CONFIGURATION

Size	Bank 0	Bank 1
8MB	(2) 1M x 36	None
16MB	(2) 2M x 36	None
16MB	(2) 1M x 36	(2) 1M x 36
24MB	(2) 2M x 36	(2) 1M x 36
32MB	(2) 4M x 36	None
32MB	(2) 2M x 36	(2) 2M x 36
40MB	(2) 4M x 36	(2) 1M x 36
48MB	(2) 4M x 36	(2) 2M x 36
64MB	(2) 8M x 36	None
64MB	(2) 4M x 36	(2) 4M x 36
72MB	(2) 8M x 36	(2) 1M x 36
80MB	(2) 8M x 36	(2) 2M x 36
96MB	(2) 8M x 36	(2) 4M x 36
128MB	(2) 8M x 36	(2) 8M x 36

WATCH-DOG TIMER CONTROL

Setting	JP18
Enable Watch-dog timer to reset system	Pins 1 & 2 closed
Enable Watch-dog timer to activate NMI to CPU	Pins 2 & 3 closed
Disabled Watch-dog timer	Open

WATCH-DOG TIMER SETTINGS				
Setting	JP17/1 & 2	JP17/3 & 4	JP17/5 & 6	JP17/7 & 8
1 second	Open	Open	Closed	Open
2 second	Open	Open	Closed	Closed
10 seconds	Open	Closed	Open	Open
20 seconds	Open	Closed	Open	Closed
110 seconds	Closed	Open	Open	Open
220 seconds	Closed	Open	Open	Closed

CPU SPEED SELECTION (INTEL)			
Speed	JP3	JP4	JP5
90MHz	Off	On	Off
100MHz	Off	On	Off
120MHz	On	On	Off
133MHz	On	On	Off
150MHz	On	On	On
166MHz	Off	On	On
180MHz	Off	On	On
200MHz	Off	On	On

CPU SPEED SELECTION (INTEL CON'T)				
Speed	JP16	JP22	JP23	JP24

90MHz	1 & 2	1 & 2	1 & 2	2 & 3
100MHz	3 & 4	2 & 3	1 & 2	2 & 3
120MHz	1 & 2	1 & 2	1 & 2	2 & 3
133MHz	3 & 4	2 & 3	1 & 2	2 & 3
150MHz	1 & 2	1 & 2	1 & 2	2 & 3
166MHz	3 & 4	2 & 3	1 & 2	2 & 3
180MHz	1 & 2	1 & 2	1 & 2	2 & 3
200MHz	3 & 4	2 & 3	1 & 2	2 & 3

Note: Indicated pins are in the closed position.

CPU SPEED SELECTION (INTEL MMX)

Speed	JP3	JP4	JP5
166MHz	On	On	On
200MHz	Off	Off	On
233MHz	Off	On	Off

CPU SPEED SELECTION (INTEL MMX CON'T)

Speed	JP16	JP22	JP23	JP24
166MHz	3 & 4	2 & 3	1 & 2	2 & 3
200MHz	3 & 4	2 & 3	1 & 2	2 & 3
233MHz	3 & 4	2 & 3	1 & 2	2 & 3

Note: Indicated pins are in the closed position.

CPU SPEED SELECTION (AMD K5)

Speed	JP3	JP4	JP5
133MHz	On	On	Off
166MHz	On	On	On

CPU SPEED SELECTION (AMD K5 CON'T)

Speed	JP16	JP22	JP23	JP24
133MHz	3 & 4	2 & 3	1 & 2	2 & 3
166MHz	3 & 4	2 & 3	1 & 2	2 & 3

Note: Indicated pins are in the closed position.

CPU SPEED SELECTION (AMD K6)

Speed	JP3	JP4	JP5
166MHz	On	Off	On
180MHz	Off	Off	On
200MHz	Off	Off	On

CPU SPEED SELECTION (AMD K6 CON'T)

Speed	JP16	JP22	JP23	JP24
166MHz	3 & 4	2 & 3	1 & 2	2 & 3
180MHz	1 & 2	1 & 2	1 & 2	2 & 3
200MHz	3 & 4	2 & 3	1 & 2	2 & 3

Note: Indicated pins are in the closed position.

CPU SPEED SELECTION (CX 6X86)

Speed	JP3	JP4	JP5
120MHz	On	On	Off
133MHz	On	On	Off

CPU SPEED SELECTION (CX 6X86 CON'T)

Speed	JP16	JP22	JP23	JP24
-------	------	------	------	------

120MHz	1 & 2	1 & 2	1 & 2	2 & 3
133MHz	3 & 4	2 & 3	1 & 2	2 & 3

Note: Indicated pins are in the closed position.

CPU SPEED SELECTION (CX MII)			
Speed	JP3	JP4	JP5
166MHz	On	Off	On
180MHz	Off	Off	On
200MHz	Off	Off	On
233MHz	Off	Off	Off

CPU SPEED SELECTION (CX MII CON'T)				
Speed	JP16	JP22	JP23	JP24
166MHz	3 & 4	2 & 3	1 & 2	2 & 3
180MHz	1 & 2	1 & 2	1 & 2	2 & 3
200MHz	3 & 4	2 & 3	1 & 2	2 & 3
233MHz	3 & 4	2 & 3	1 & 2	2 & 3

Note: Indicated pins are in the closed position.

CPU VOLTAGE SELECTION (SINGLE)	
Voltage	JP12
3.3V	Open
3.4V	Pins 1 & 2 closed
3.5V	Pins 3 & 4 closed

CPU VOLTAGE SELECTION (DUAL)	
V _{CC}	JP12

Voltage	JP12
2.5V	Pins 7 & 8 closed
2.9V	Pins 5 & 6 closed

CPU TYPE SELECTION	
Type	JP9
P54, P55	Pins 2 & 3 closed
P55C (Dual Voltage)	Pins 1 & 2 closed