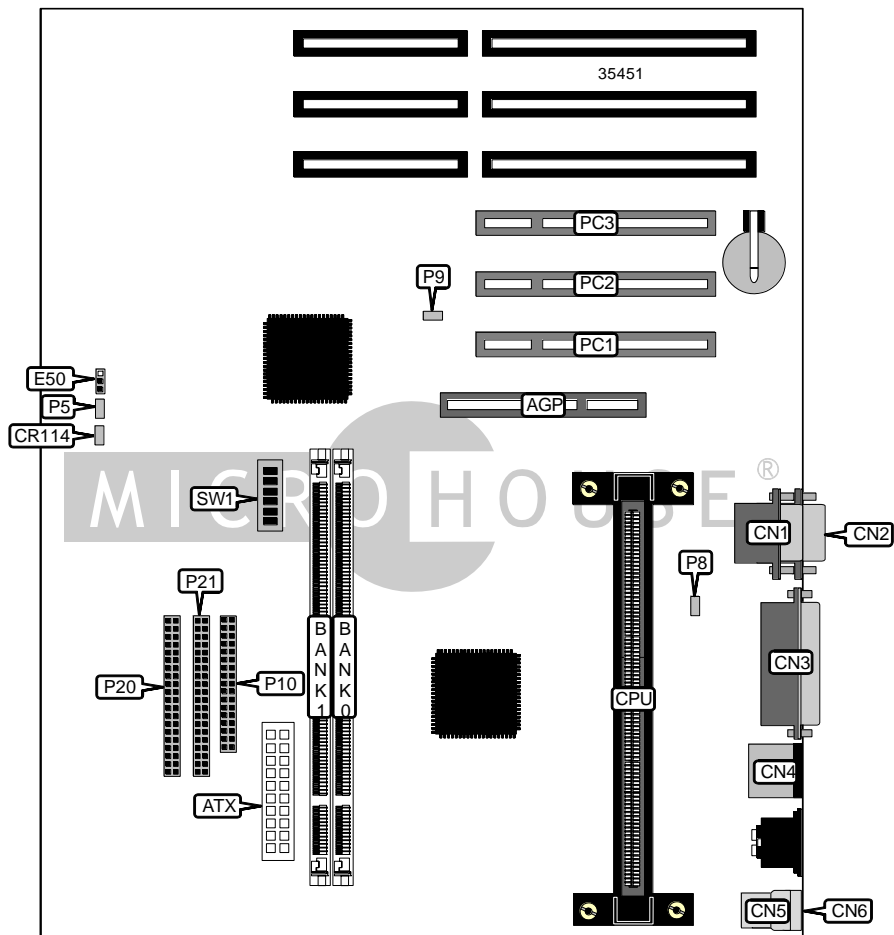


COMPAQ COMPUTER CORPORATION DESKPRO EP (2 DIMM)

Device Type	Mainboard
Processor	Pentium II/Celeron
Processor Speed	233/266/300/333/366/400/450/500MHz
Chip Set	Intel 440BX/PIIX-4E or 440EX/PIIX-4E
Video Chip Set	None
Maximum Onboard Memory	256MB (SDRAM supported)
Maximum Video Memory	None
Cache	512KB (located on Pentium II CPU)
BIOS	Unidentified
Dimensions	305mm x 244mm
I/O Options	32-bit PCI slots (3), floppy drive interface, IDE interfaces (2), serial ports (2), parallel port, PS/2 mouse port, USB connectors (2), ATX power connector, AGP slot
NPU Options	None



Continued on next page . . .

COMPAQ COMPUTER CORPORATION
 DESKPRO EP (2 DIMM)

... continued from previous page

CONNECTIONS			
Purpose	Location	Purpose	Location
AGP slot	AGP	Auxiliary LED	CR114
ATX power connector	ATX	Power switch & LED	P5
Serial port	CN1	Chassis fan power	P8
Serial port	CN2	Wake on LAN connector	P9
Parallel port	CN3	Floppy drive interface	P10
PS/2 mouse port	CN4	IDE interface 1	P20
USB connector	CN5	IDE interface 2	P21
USB connector	CN6	32-bit PCI slots	PC1 – PC4

USER CONFIGURABLE SETTINGS		
Function	Label	Position
í CMOS memory normal operation	E50	Pins 1 & 2 closed
CMOS memory clear	E50	Pins 2 & 3 closed
í Password enabled	SW1/1	Off
Password disabled	SW1/1	On
Auxiliary power supply enabled, main power supply disabled	SW1/6	Off
Auxiliary & main power supply enabled	SW1/6	On

DIMM CONFIGURATION		
Size	Bank 0	Bank 1
8MB	(1) 1M x 64	None
16MB	(1) 2M x 64	None
16MB	(1) 1M x 64	(1) 1M x 64
24MB	(1) 2M x 64	(1) 1M x 64
32MB	(1) 4M x 64	None
32MB	(1) 2M x 64	(1) 2M x 64
40MB	(1) 4M x 64	(1) 1M x 64
48MB	(1) 4M x 64	(1) 2M x 64
64MB	(1) 8M x 64	None
64MB	(1) 4M x 64	(1) 4M x 64
72MB	(1) 8M x 64	(1) 1M x 64
80MB	(1) 8M x 64	(1) 2M x 64
128MB	(1) 16M x 64	None
128MB	(1) 8M x 64	(1) 8M x 64
136MB	(1) 16M x 64	(1) 1M x 64
144MB	(1) 16M x 64	(1) 2M x 64
160MB	(1) 16M x 64	(1) 4M x 64
256MB	(1) 16M x 64	(1) 16M x 64

Note: Board accepts SDRAM memory.

Continued on next page. . .

COMPAQ COMPUTER CORPORATION
DESKPRO EP (2 DIMM)

... continued from previous page

CACHE CONFIGURATION

Note: 512KB cache is located on the Pentium II CPU.

CPU SPEED SELECTION

CPU speed	Clock speed	Multiplier	SW1/2	SW1/3	SW1/4	SW1/5
233MHz	66MHz	3.5x	Off	Off	On	On
266MHz	66MHz	4x	On	On	Off	On
300MHz	66MHz	4.5x	On	Off	Off	On
333MHz	66MHz	5x	Off	On	Off	On
350MHz	100MHz	3.5x	Off	Off	On	On
400MHz	100MHz	4x	On	On	Off	On
450MHz	100MHz	4.5x	On	Off	Off	On
500MHz	100MHz	5x	Off	On	Off	On