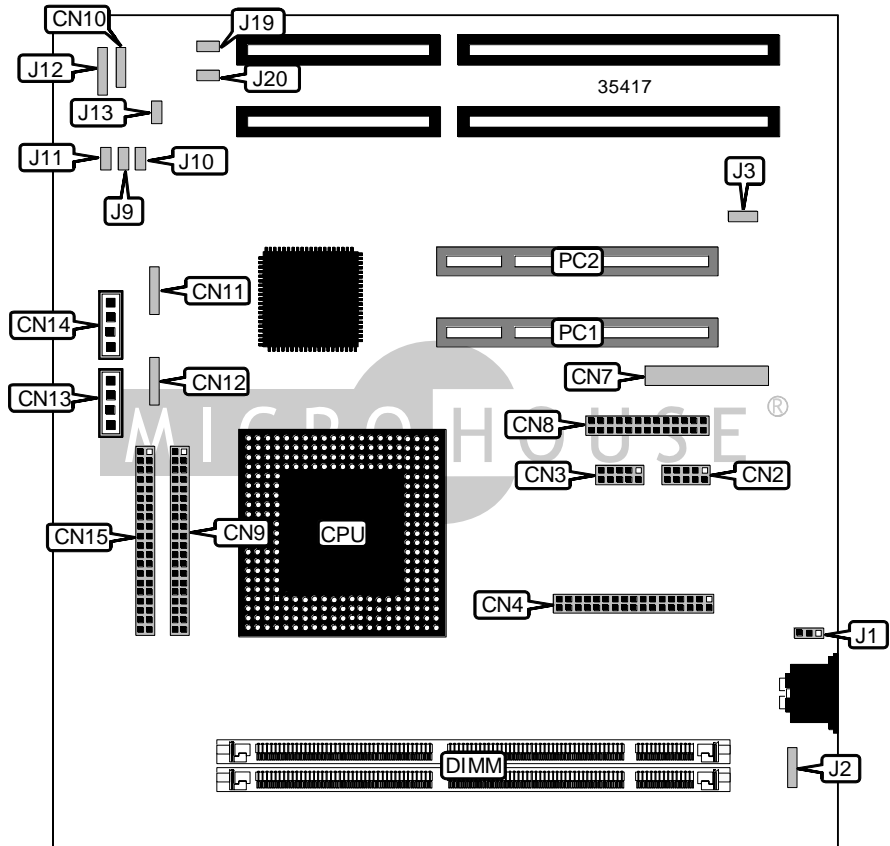


AVT INDUSTRIAL, LTD.
586 GXM-AVX

Device Type	Mainboard
Processor	CX GXM
Processor Speed	200/233/266MHz
Chip Set	Cyrix
Video Chip Set	Unidentified
Maximum Onboard Memory	128MB
Maximum Video Memory	Unidentified
Cache	None
BIOS	Award
Dimensions	220mm x 220mm
I/O Options	32-bit PCI slots (2), floppy drive interface, game interface, IDE interfaces (2), parallel port, PS/2 mouse interface, serial ports (2), VGA interface, audio in – CD-ROMs (2),
NPU Options	None



Continued on next page. . .

AVT INDUSTRIAL, LTD.
586 GXM-AVX

... continued from previous page

CONNECTIONS			
Purpose	Location	Purpose	Location
Serial port 1	CN2	Audio in – CD-ROM	CN14
Serial port 2	CN3	IDE interface 2	CN15
Floppy drive interface	CN4	PS/2 mouse interface	J2
Video connector	CN7	IDE interface LED	J9
Parallel port	CN8	Reset switch	J11
IDE interface 1	CN9	Power LED & keylock	J12
Speaker	CN10	Digital input connector	J19
Game interface	CN11	Digital output connector	J20
Sound board connector	CN12	32-bit PCI slots	PC1 – PC2
Audio in – CD-ROM	CN13		

USER CONFIGURABLE SETTINGS		
Function	Label	Position
í CMOS memory normal operation	J1	Pins 1 & 2 closed
CMOS memory clear	J1	Pins 2 & 3 closed
í Factory configured - do not alter	J3	Unidentified
í Factory configured - do not alter	J10	Unidentified
í Factory configured - do not alter	J13	Unidentified

DIMM CONFIGURATION		
Size	Bank 0	Bank 1
8MB	(1) 1M x 64	None
16MB	(1) 2M x 64	None
16MB	(1) 1M x 64	(1) 1M x 64
24MB	(1) 2M x 64	(1) 1M x 64
32MB	(1) 4M x 64	None
32MB	(1) 2M x 64	(1) 2M x 64
40MB	(1) 4M x 64	(1) 1M x 64
48MB	(1) 4M x 64	(1) 2M x 64
64MB	(1) 8M x 64	None
64MB	(1) 4M x 64	(1) 4M x 64
72MB	(1) 8M x 64	(1) 1M x 64
80MB	(1) 8M x 64	(1) 2M x 64
96MB	(1) 8M x 64	(1) 4M x 64
128MB	(1) 8M x 64	(1) 8M x 64