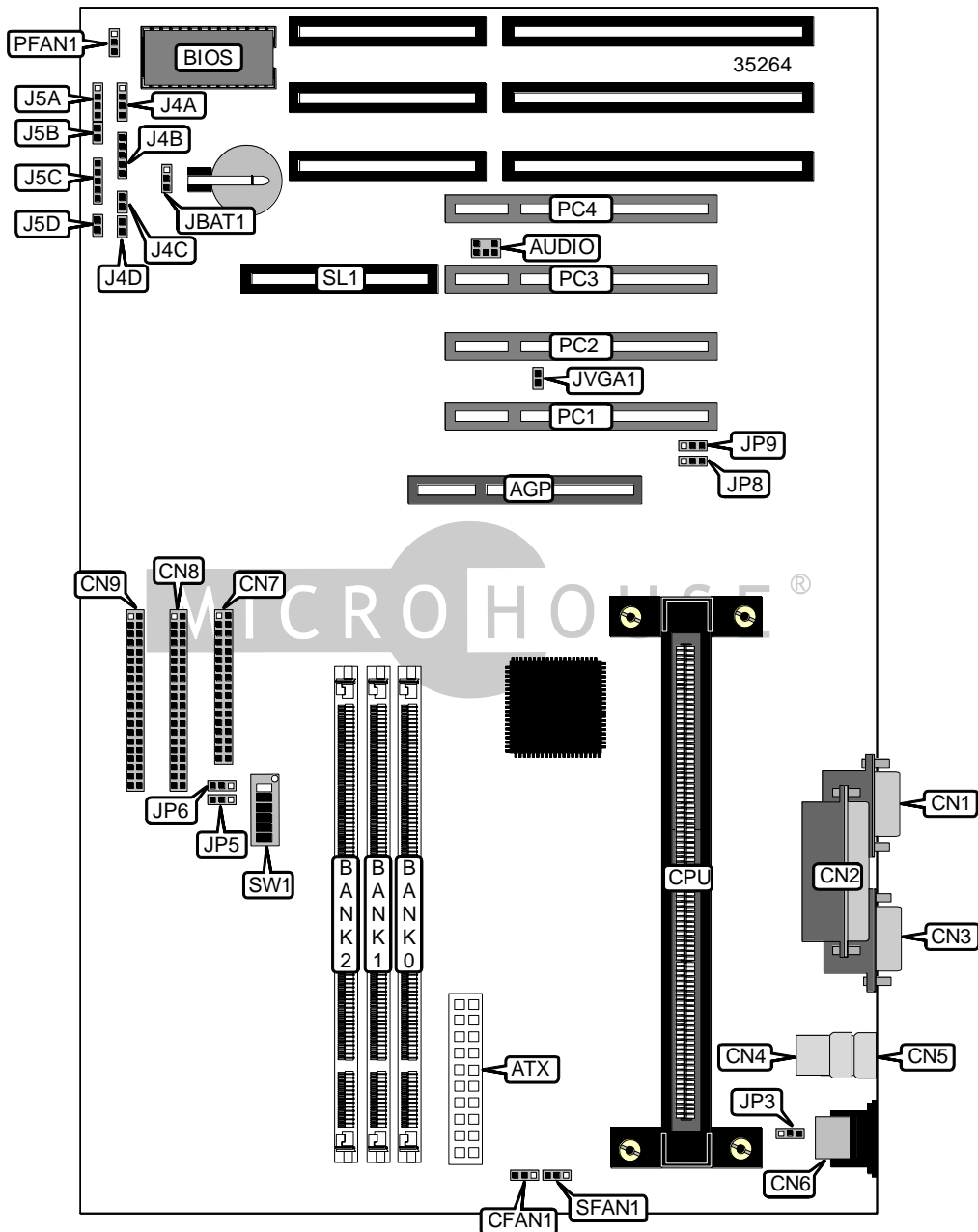


SOLTEK COMPUTER, INC.

SL - 67 A

Device Type	Mainboard
Processor	Pentium II/Deschutes
Processor Speed	233/266/300/333/350/400/450/500MHz
Chip Set	Intel 440BX
Maximum Onboard Memory	768MB (EDO & SDRAM supported)
Cache	256/512KB
BIOS	Award
I/O Options	32-bit PCI slots (4), floppy drive interface, IDE interfaces (2), parallel port, PS/2 mouse port, serial ports (2), green PC connector, USB connectors (2), AGP slot, RAID slot, IR connector, ATX power connector
Dimensions	305mm x 220mm



Continued on next page. . .

... continued from previous page

CONNECTIONS			
Purpose	Location	Purpose	Location
AGP slot	AGP	Chassis fan	PFAN1
ATX power connector	ATX	Power fan	SFAN1
SoundBlast PCI socket	AUDIO	IDE interface LED	J4A
Serial port 2	CN1	IR connector	J4B
Parallel port	CN2	Power switch	J4C
Serial port 1	CN3	Green PC switch	J4D
USB connector 2	CN4	Speaker	J5A
USB connector 1	CN5	Reset switch	J5B
PS/2 mouse port	CN6	Power LED & keylock	J5C
Floppy drive interface	CN7	Green PC LED	J5D
IDE interface 2	CN8	32-bit PCI slots	PC1 - PC4
IDE interface 1	CN9	RAID slot	SL1
CPU fan	CFAN1		

USER CONFIGURABLE SETTINGS		
Function	Label	Position
í CMOS normal operation	JBAT1	Pins 1 & 2 closed
CMOS clear	JBAT1	Pins 2 & 3 closed
í Keyboard power on enabled	JP3	Pins 2 & 3 closed
Keyboard power on disabled	JP3	Pins 1 & 2 closed
í Normal VGA card	JVGA1	Closed
Special VGA card	JVGA1	Open

DIP SWITCH/JUMPERLESS SELECTION		
CPU Clock Setting	JP5	JP6
í DIP SW1 enabled	Pins 2 & 3 closed	Pins 2 & 3 closed
BIOS setting enabled	Pins 1 & 2 closed	Pins 1 & 2 closed

USB PORT SELECTION		
USB Port	JP8	JP9
í Redirect all USB ports to USB connector	Pins 1 & 2 closed	Pins 1 & 2 closed
Redirect USB1 to AGP port	Pins 2 & 3 closed	Pins 2 & 3 closed

Continued on next page. . .

SOLTEK COMPUTER, INC.
SL-67A

... continued from previous page

DRAM CONFIGURATION			
Size	Bank 0	Bank 1	Bank 2
8MB	(2) 1MB x 36	None	None
16MB	(2) 1MB x 36	(1) 1MB x 64	None
16MB	(2) 2MB x 36	None	None
24MB	(2) 1MB x 36	(1) 1MB x 64	(1) 1MB x 64
24MB	(2) 2MB x 36	(1) 1MB x 64	None
32MB	(2) 2MB x 36	(1) 2MB x 64	None
32MB	(2) 4MB x 64	None	None
40MB	(2) 2MB x 36	(1) 2MB x 64	(1) 1MB x 64
40MB	(2) 4MB x 36	(1) 1MB x 64	None
48MB	(2) 2MB x 36	(1) 2MB x 64	(1) 2MB x 64
48MB	(2) 4MB x 36	(1) 2MB x 64	None
64MB	(2) 4MB x 36	(1) 4MB x 64	None
64MB	(2) 8MB x 36	None	None
72MB	(2) 4MB x 36	(1) 4MB x 64	(1) 1MB x 64
72MB	(2) 8MB x 36	(1) 1MB x 64	None
80MB	(2) 4MB x 36	(1) 4MB x 64	(1) 2MB x 64
80MB	(2) 8MB x 36	(1) 2MB x 64	None
96MB	(2) 4MB x 36	(1) 4MB x 64	(1) 4MB x 64
96MB	(2) 8MB x 36	(1) 4MB x 64	None
128MB	(2) 8MB x 36	(1) 8MB x 64	None
128MB	(2) 16MB x 36	None	None
136MB	(2) 8MB x 36	(1) 8MB x 64	(1) 1MB x 64
136MB	(2) 16MB x 36	(1) 1MB x 64	None
144MB	(2) 8MB x 36	(1) 8MB x 64	(1) 2MB x 64
144MB	(2) 16MB x 36	(1) 2MB x 64	None
160MB	(2) 8MB x 36	(1) 8MB x 64	(1) 4MB x 64
160MB	(2) 16MB x 36	(1) 4MB x 64	None
196MB	(2) 8MB x 36	(1) 8MB x 64	(1) 8MB x 64
196MB	(2) 16MB x 36	(1) 8MB x 64	None
256MB	(2) 16MB x 36	(1) 16MB x 64	None
256MB	(2) 32MB x 36	None	None
264MB	(2) 32MB x 36	(1) 1MB x 64	None
272MB	(2) 32MB x 36	(1) 2MB x 64	None
288MB	(2) 32MB x 36	(1) 4MB x 64	None
320MB	(2) 32MB x 36	(1) 8MB x 64	None
384MB	(2) 32MB x 36	(1) 16MB x 64	None
512MB	(2) 32MB x 36	(1) 32MB x 64	None
520MB	(2) 32MB x 36	(1) 32MB x 64	(1) 1MB x 64
528MB	(2) 32MB x 36	(1) 32MB x 64	(1) 2MB x 64
544MB	(2) 32MB x 36	(1) 32MB x 64	(1) 4MB x 64
576MB	(2) 32MB x 36	(1) 32MB x 64	(1) 8MB x 64
640MB	(2) 32MB x 36	(1) 32MB x 64	(1) 16MB x 64
768MB	(2) 32MB x 36	(1) 32MB x 64	(1) 32MB x 64

Continued on next page. . .

SOLTEK COMPUTER, INC.
SL - 67 A

. . . continued from previous page

CACHE CONFIGURATION

Note: 256/512KB cache is located on the Pentium II/Deschutes CPU.

CPU SPEED SELECTION (PENTIUM II)

CPU Speed	Clock speed	Multiplier	SW1/1	SW1/2	SW1/3	SW1/4	SW1/5	SW1/6
233MHz	66MHz	3.5x	On	Off	Off	On	On	Off
266MHz	66MHz	4x	Off	On	On	On	On	Off
300MHz	66MHz	4.5x	Off	On	Off	On	On	Off
333MHz	66MHz	5x	Off	Off	On	On	On	Off

Note: SW1/5 and SW1/6 control Bus Clock Speed. Default setting is Auto Detect, with SW1/5 Off, and SW1/6 On

CPU SPEED SELECTION (DESCHUTES)

CPU Speed	Clock speed	Multiplier	SW1/1	SW1/2	SW1/3	SW1/4	SW1/5	SW1/6
350MHz	100MHz	3.5x	On	Off	Off	On	Off	Off
400MHz	100MHz	4x	Off	On	On	On	Off	Off
450MHz	100MHz	4.5x	Off	On	Off	On	Off	Off
500MHz	100MHz	5x	Off	Off	On	On	Off	Off

Note: SW1/5 and SW1/6 control Bus Clock Speed. Default setting is Auto Detect, with SW1/5 Off, and SW1/6 On