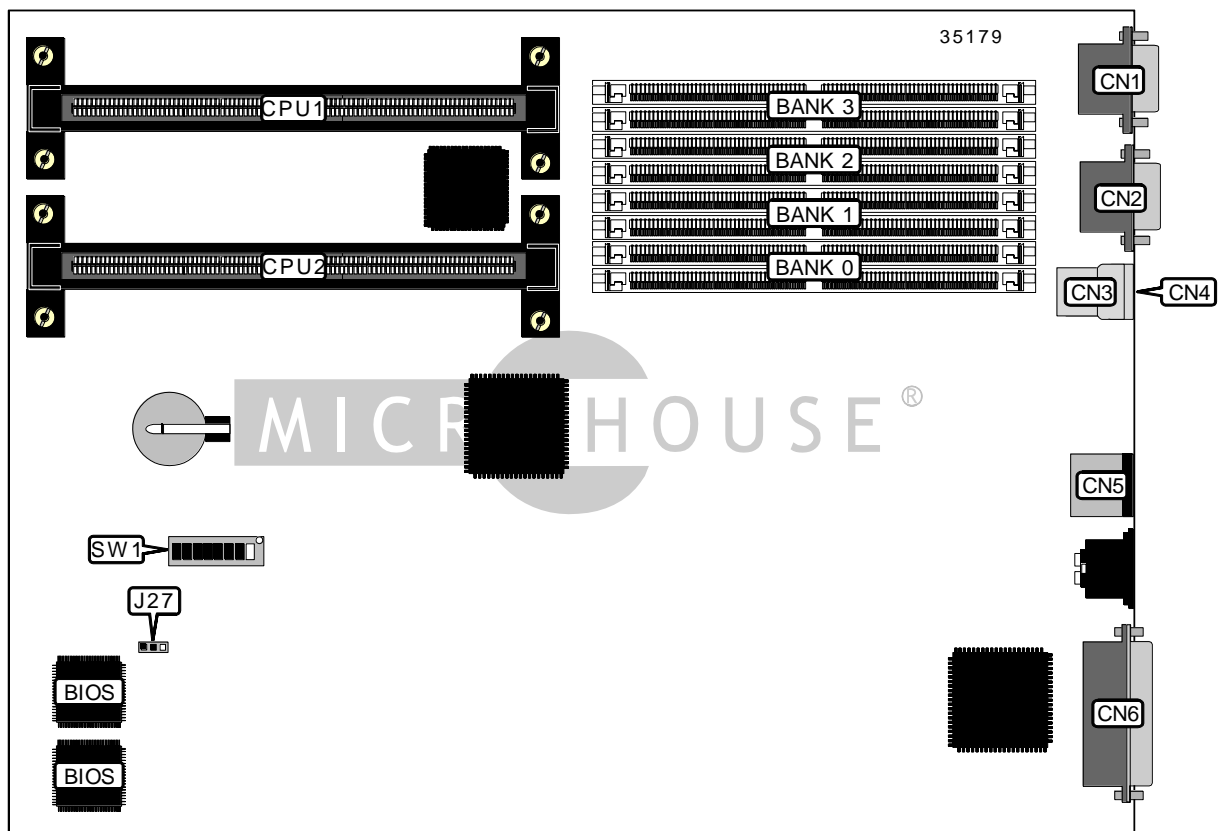


DIGITAL EQUIPMENT CORPORATION PERSONAL WORKSTATION 2661

Device Type	Mainboard
Processor	Pentium II
Processor Speed	233/266/300/333MHz
Chip Set	Intel
Video Chip Set	None
Maximum Onboard Memory	512MB (EDO supported)
Maximum Video Memory	None
Cache	128KB (located on Pentium II CPU)
BIOS	Unidentified
Dimensions	254mm x 218mm
I/O Options (CPU)	Parallel port, PS/2 mouse port, serial ports (2), USB connectors (2)
I/O Options (backplane)	IDE interfaces (2), floppy drive interface, 100Base-T connector, game/MIDI port, audio in – CD-ROM, fax/modem connector, 32-bit PCI slots (4)
NPU Options	None



Continued on next page. . .

DIGITAL EQUIPMENT CORPORATION
 PERSONAL WORKSTATION 2661

... continued from previous page

CONNECTIONS			
Purpose	Location	Purpose	Location
Serial port	CN1	USB connector 2	CN4
Serial port	CN2	PS/2 mouse port	CN5
USB connector 1	CN3	Parallel port	CN6

USER CONFIGURABLE SETTINGS		
Function	Label	Position
í Boot block update disabled	J27	Pins 1 & 2 closed
Boot block update enabled	J27	Pins 2 & 3 closed
í Password disabled	SW1/5	Off
Password enabled	SW1/5	On
í BIOS normal operation	SW1/6	Off
BIOS recovery mode	SW1/6	On
í CMOS memory normal operation	SW1/7	Off
CMOS memory clear	SW1/7	On

SIMM CONFIGURATION				
Size	Bank 0	Bank 1	Bank 2	Bank 3
16MB	(2) 2M x 36	None	None	None
32MB	(2) 4M x 36	None	None	None
32MB	(2) 2M x 36	(2) 2M x 36	None	None
48MB	(2) 4M x 36	(2) 2M x 36	None	None
48MB	(2) 2M x 36	(2) 2M x 36	(2) 2M x 36	None
64MB	(2) 2M x 36	(2) 2M x 36	(2) 2M x 36	(2) 2M x 36
64MB	(2) 8M x 36	None	None	None
64MB	(2) 4M x 36	(2) 4M x 36	None	None
80MB	(2) 8M x 36	(2) 2M x 36	None	None
96MB	(2) 8M x 36	(2) 4M x 36	None	None
96MB	(2) 4M x 36	(2) 4M x 36	(2) 4M x 36	None
128MB	(2) 16M x 36	None	None	None
128MB	(2) 8M x 36	(2) 8M x 36	None	None
128MB	(2) 4M x 36	(2) 4M x 36	(2) 4M x 36	(2) 4M x 36
144MB	(2) 16M x 36	(2) 2M x 36	None	None
160MB	(2) 16M x 36	(2) 4M x 36	None	None

Continued on next page...

DIGITAL EQUIPMENT CORPORATION
 PERSONAL WORKSTATION 2661

... continued from previous page

SIMM CONFIGURATION (CON'T)				
Size	Bank 0	Bank 1	Bank 2	Bank 3
176MB	(2) 16M x 36	(2) 2M x 36	(2) 2M x 36	(2) 2M x 36
192MB	(2) 16M x 36	(2) 8M x 36	None	None
192MB	(2) 8M x 36	(2) 8M x 36	(2) 8M x 36	None
224MB	(2) 16M x 36	(2) 4M x 36	(2) 4M x 36	(2) 4M x 36
256MB	(2) 16M x 36	(2) 16M x 36	None	None
256MB	(2) 8M x 36	(2) 8M x 36	(2) 8M x 36	(2) 8M x 36
288MB	(2) 16M x 36	(2) 16M x 36	(2) 2M x 36	(2) 2M x 36
320MB	(2) 16M x 36	(2) 16M x 36	(2) 4M x 36	(2) 4M x 36
320MB	(2) 16M x 36	(2) 8M x 36	(2) 8M x 36	(2) 8M x 36
384MB	(2) 16M x 36	(2) 16M x 36	(2) 16M x 36	None
512MB	(2) 16M x 36	(2) 16M x 36	(2) 16M x 36	(2) 16M x 36

Note: Board accepts EDO memory.

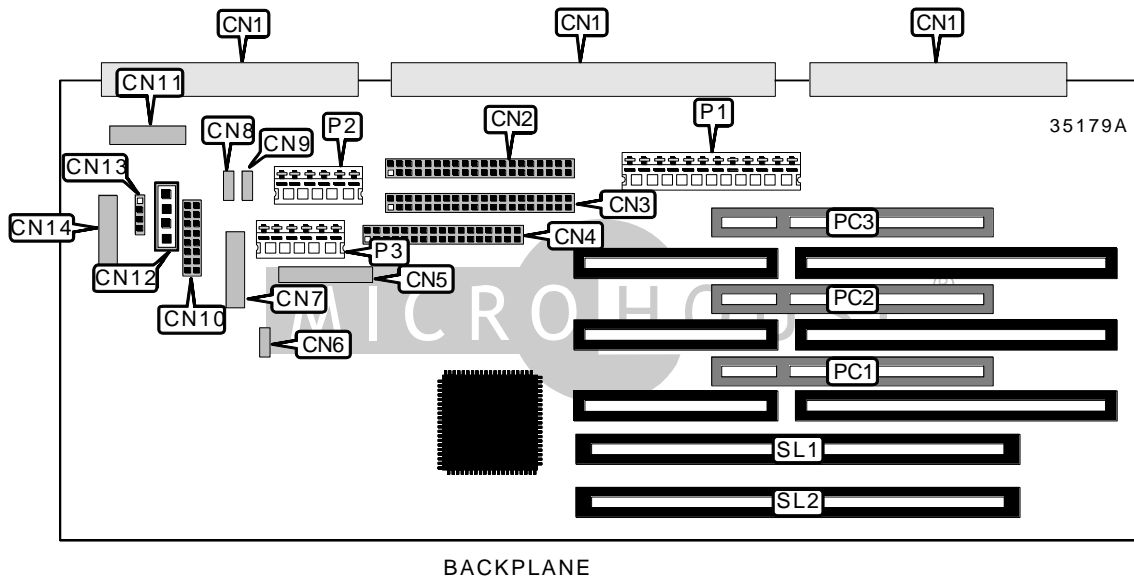
CACHE CONFIGURATION
Note: 128KB cache is located on the Pentium II CPU.

CPU SPEED SELECTION							
CPU speed	Clock speed	Multiplier	SW1/1	SW1/2	SW1/3	SW1/4	SW1/8
233MHz	66MHz	3.5x	On	Off	Off	On	On
266MHz	66MHz	4x	On	On	On	Off	On
300MHz	66MHz	4.5x	On	Off	On	Off	On
333MHz	66MHz	5x	On	On	Off	Off	On

Continued on next page...

DIGITAL EQUIPMENT CORPORATION
PERSONAL WORKSTATION 266I

... continued from previous page



CONNECTIONS			
Purpose	Location	Purpose	Location
Main logic board connectors	CN1	Control panel connector	CN11
IDE interface 1	CN2	Audio in – CD-ROM	CN12
IDE interface 2	CN3	Fax/modem connector	CN13
Floppy drive interface	CN4	Audio connector	CN14
100Base-T connector	CN5	Power connector	P1
IDE interface LED	CN6	5v power	P2
10Base-T connector	CN7	3.3v power	P3
Chassis fan power	CN8	32-bit PCI slots	PC1 – PC2
Chassis fan power	CN9	32-bit PCI slots (full size)	SL1 & SL2
Game/MIDI port	CN10		