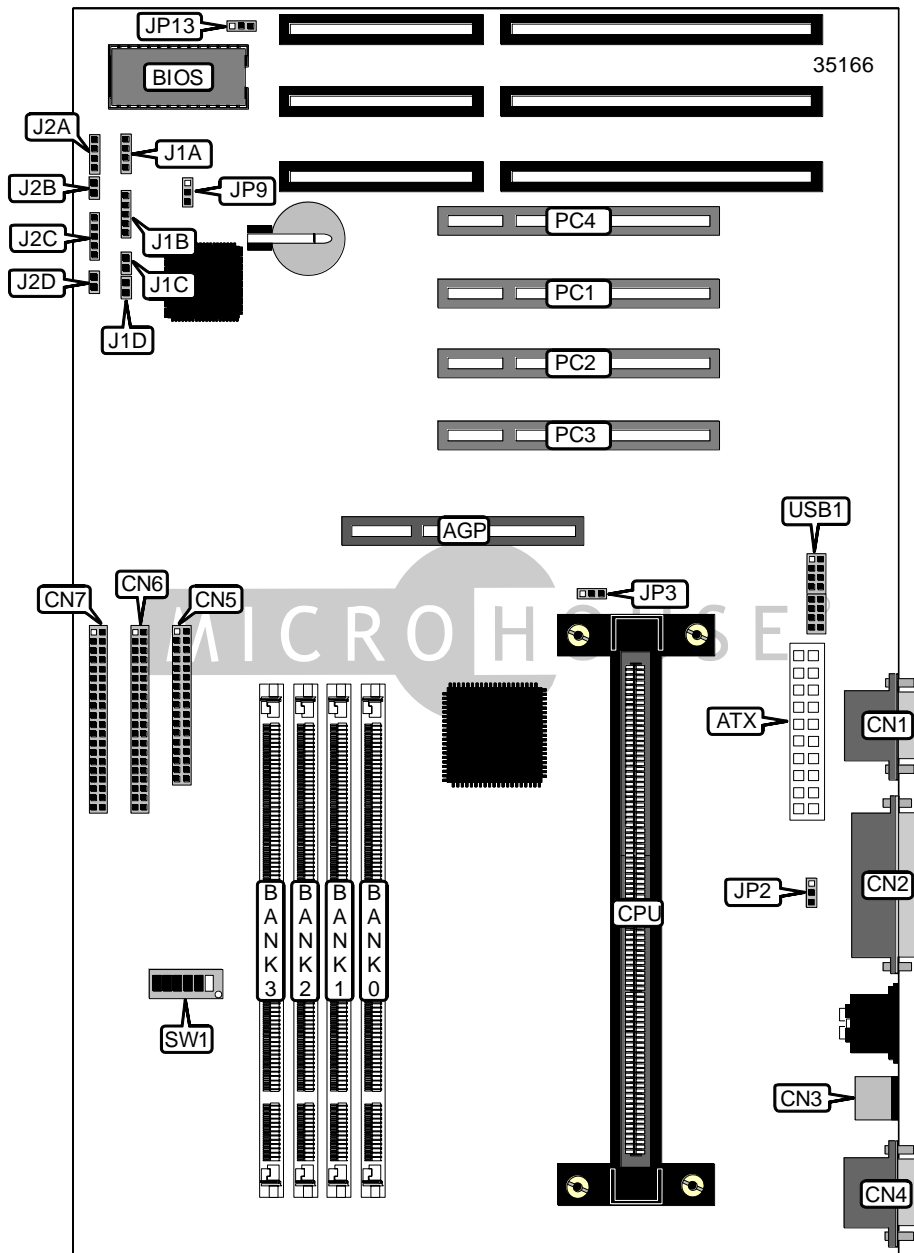


# SOLTEK COMPUTER, INC.

## SL-66A (VER. 1.0)

Device Type	Mainboard
Processor	Pentium II
Processor Speed	233/266/300/333MHz
Chip Set	Intel 440LX
Maximum Onboard Memory	1GB (EDO & SDRAM supported)
Cache	256/512KB (located on the Pentium II CPU)
BIOS	Award
I/O Options	32-bit PCI slots (4), floppy drive interface, IDE interface (2), parallel port, PS/2 mouse port, serial ports (2), USB connector (2), IR connector, AGP slot, green PC connector, ATX power connector
Dimensions	330mm x 220mm



Continued on next page . . .

SOLTEK COMPUTER, INC.  
SL-66A (VER. 1.0)

... continued from previous page

CONNECTIONS			
Purpose	Location	Purpose	Location
AGP slot	AGP	IR connector	J1B
ATX power connector	ATX	Power switch	J1C
Serial port 1	CN1	Green PC connector	J1D
Parallel port	CN2	Speaker	J2A
PS/2 mouse port	CN3	Reset switch	J2B
Serial port 2	CN4	Power LED & Keylock	J2C
Floppy drive interface	CN5	Turbo LED	J2D
IDE interface 2	CN6	32-bit PCI slots	PC1 - PC4
IDE interface 1	CN7	USB connector	USB1
IDE interface LED	J1A		

USER CONFIGURABLE SETTINGS		
Function	Label	Position
í Factory configured - do not alter	JP1	Closed
í Factory configured - do not alter	JP2	Unidentified
í CMOS memory normal operation	JP9	Pins 1 & 2 closed
CMOS memory clear	JP9	Pins 2 & 3 closed
í Factory configured - do not alter	JP13	Unidentified

DRAM CONFIGURATION				
Size	Bank 0	Bank 1	Bank 2	Bank 3
8MB	(1) 1MB x 64	None	None	None
16MB	(1) 1MB x 64	(1) 1MB x 64	None	None
16MB	(1) 2MB x 64	None	None	None
24MB	(1) 1MB x 64	(1) 1MB x 64	(1) 1MB x 64	None
24MB	(1) 2MB x 64	(1) 1MB x 64	None	None
32MB	(1) 1MB x 64	(1) 1MB x 64	(1) 1MB x 64	(1) 1MB x 64
32MB	(1) 2MB x 64	(1) 2MBx 64	None	None
32MB	(1) 4MB x 64	None	None	None
40MB	(1) 4MB x 64	(1) 1MB x 64	None	None
48MB	(1) 4MB x 64	(1) 1MB x 64	(1) 1MB x 64	None
48MB	(1) 4MB x 64	(1) 2MB x 64	None	None
56MB	(1) 4MB x 64	(1) 2MB x 64	(1) 1MB x 64	None
64MB	(1) 4MB x 64	(1) 2MB x 64	(1) 1MB x 64	(1) 1MB x 64
64MB	(1) 4MB x 64	(1) 2MB x 64	(1) 2MB x 64	None
64MB	(1) 4MB x 64	(1) 4MB x 64	None	None
64MB	(1) 8MB x 64	None	None	None
72MB	(1) 4MB x 64	(1) 2MB x 64	(1) 2MB x 64	(1) 1MB x 64
72MB	(1) 8MB x 64	(1) 1MB x 64	None	None
72MB	(1) 4MB x 64	(1) 4MB x 64	(1) 1MB x 64	None
80MB	(1) 4MB x 64	(1) 2MB x 64	(1) 2MB x 64	(1) 2MB x 64
80MB	(1) 4MB x 64	(1) 4MB x 64	(1) 2MB x 64	None
80MB	(1) 8MB x 64	(1) 2MB x 64	None	None
96MB	(1) 4MB x 64	(1) 4MB x 64	(1) 4MB x 64	None
96MB	(1) 8MB x 64	(1) 4MB x 64	None	None

Continued on next page. . .

SOLTEK COMPUTER, INC.  
SL-66A (VER. 1.0)

... continued from previous page

DRAM CONFIGURATION (CONT.)				
Size	Bank 0	Bank 1	Bank 2	Bank 3
128MB	(1) 4MB x 64	(1) 4MB x 64	(1) 4MB x 64	(1) 4MB x 64
128MB	(1) 8MB x 64	(1) 8MB x 64	None	None
128MB	(1) 16MB x 64	None	None	None
136MB	(1) 8MB x 64	(1) 8MB x 64	(1) 1MB x 64	None
144MB	(1) 8MB x 64	(1) 8MB x 64	(1) 2MB x 64	None
144MB	(1) 16MB x 64	(1) 2MB x 64	None	None
160MB	(1) 16MB x 64	(1) 4MB x 64	None	None
192MB	(1) 8MB x 64	(1) 8MB x 64	(1) 8MB x 64	None
192MB	(1) 16MB x 64	(1) 8MB x 64	None	None
224MB	(1) 8MB x 64	(1) 8MB x 64	(1) 8MB x 64	(1) 4MB x 64
256MB	(1) 8MB x 64	(1) 8MB x 64	(1) 8MB x 64	(1) 8MB x 64
256MB	(1) 16MB x 64	(1) 16MBx 64	None	None
256MB	(1) 32MB x 64	None	None	None
272MB	(1) 16MB x 64	(1) 16M x 64	(1) 2MB x 64	None
288MB	(1) 16MB x 64	(1) 16MB x 64	(1) 4MB x 64	None
288MB	(1) 32MB x 64	(1) 4MB x 64	None	None
320MB	(1) 16MB x 64	(1) 16MB x 64	(1) 8MB x 64	None
320MB	(1) 32MB x 64	(1) 8MB x 64	None	None
384MB	(1) 16MB x 64	(1) 16MB x 64	(1) 16MB x 64	None
384MB	(1) 32MB x 64	(1) 16MB x 64	None	None
416MB	(1) 16MB x 64	(1) 16MB x 64	(1) 16MB x 64	(1) 4MB x 64
448MB	(1) 16MB x 64	(1) 16MB x 64	(1) 16MB x 64	(1) 8MB x 64
512MB	(1) 16MB x 64	(1) 16MB x 64	(1) 16MB x 64	(1) 16MB x 64
512MB	(1) 32MB x 64	(1) 32MB x 64	None	None
544MB	(1) 32MB x 64	(1) 32MB x 64	(1) 4MB x 64	None
576MB	(1) 32MB x 64	(1) 32MB x 64	(1) 8MB x 64	None
640MB	(1) 32MB x 64	(1) 32MB x 64	(1) 16MB x 64	None
768MB	(1) 32MB x 64	(1) 32MB x 64	(1) 32MB x 64	None
832MB	(1) 32MB x 64	(1) 32MB x 64	(1) 32MB x 64	(1) 8MB x 64
896MB	(1) 32MB x 64	(1) 32MB x 64	(1) 32MB x 64	(1) 16MB x 64
1024MB	(1) 32MB x 64	(1) 32MB x 64	(1) 32MB x 64	(1) 32MB x 64

CPU SPEED SELECTION								
CPU Speed	Clock Speed	Multiplier	SW1/1	SW1/2	SW1/3	SW1/4	SW1/5	SW1/6
233MHz	66MHz	3.5x	On	Off	Off	On	Off	Off
266MHz	66MHz	4x	Off	On	On	On	Off	Off
300MHz	66MHz	4.5x	Off	On	Off	On	Off	Off
333MHz	66MHz	5x	Off	Off	On	On	Off	Off