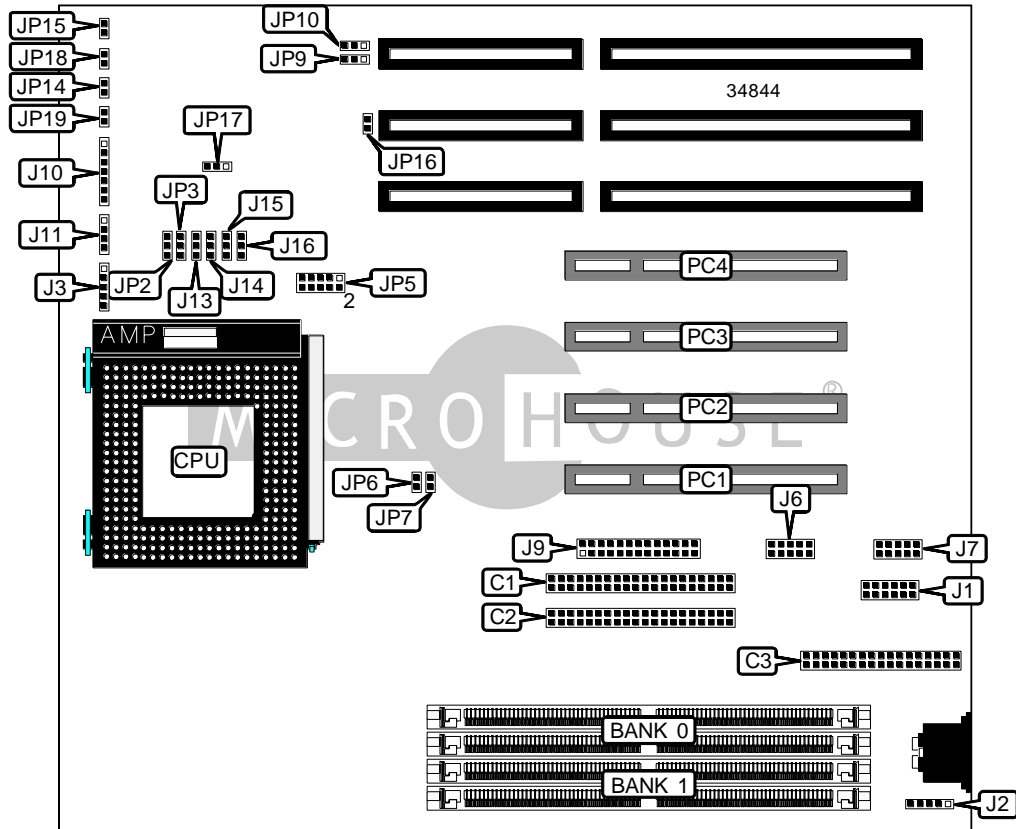


KADATCO CO., LTD.  
 A M - 4 3 3 V X

<b>Device Type</b>	Mainboard
<b>Processor</b>	CX 6X86/AM K5/Pentium
<b>Processor Speed</b>	75/90/100/120/133/150/166/180/200MHz
<b>Chip Set</b>	Intel
<b>Video Chip Set</b>	None
<b>Maximum Onboard Memory</b>	128MB (EDO supported)
<b>Maximum Video Memory</b>	None
<b>Cache</b>	256/512KB
<b>BIOS</b>	Unidentified
<b>Dimensions</b>	230mm x 220mm
<b>I/O Options</b>	32-bit PCI slots (4), floppy drive interface, green PC connector, IDE interfaces (2), parallel port, PS/2 mouse interface, serial ports (2), IR connector, USB connector
<b>NPU Options</b>	None



Continued on next page. . .

KADATCO CO., LTD.  
 A M - 4 3 3 V X

... continued from previous page

CONNECTIONS			
Purpose	Location	Purpose	Location
IDE interface 2	C1	Parallel port	J9
IDE interface 1	C2	IR connector	J10
Floppy drive interface	C3	Speaker	J11
USB connector	J1	IDE interface LED	JP14
PS/2 mouse interface	J2	Green PC connector	JP15
Power LED & keylock	J3	CPU fan power	JP18
Serial port 1	J6	Reset switch	JP19
Serial port 2	J7	32-bit PCI slots	PC1 – PC4

USER CONFIGURABLE SETTINGS		
Function	Label	Position
Flash BIOS type select SST/Winbond/ATMEL/MMX	JP9	Pins 1 & 2 closed
Flash BIOS type select Intel	JP9	Pins 2 & 3 closed
Flash BIOS voltage select 12v	JP10	Pins 2 & 3 closed
Flash BIOS voltage select 5v	JP10	Pins 1 & 2 closed
CMOS memory normal operation	JP16	Open
CMOS memory clear	JP16	Closed

SIMM CONFIGURATION		
Size	Bank 0	Bank 1
8MB	(2) 1M x 36	None
16MB	(2) 2M x 36	None
16MB	(2) 1M x 36	(2) 1M x 36
24MB	(2) 2M x 36	(2) 1M x 36
32MB	(2) 4M x 36	None
32MB	(2) 2M x 36	(2) 2M x 36
40MB	(2) 4M x 36	(2) 1M x 36
48MB	(2) 4M x 36	(2) 2M x 36
64MB	(2) 8M x 36	None
64MB	(2) 4M x 36	(2) 4M x 36
72MB	(2) 8M x 36	(2) 1M x 36
80MB	(2) 8M x 36	(2) 2M x 36
96MB	(2) 8M x 36	(2) 4M x 36
128MB	(2) 8M x 36	(2) 8M x 36

Note: Board accepts EDO memory.

CACHE CONFIGURATION
Note: The location of the 256KB/512KB is unidentified.

Continued on next page. . .

KADATCO CO., LTD.  
A M - 4 3 3 V X

... continued from previous page

CPU SPEED SELECTION (CYRIX)						
CPU speed	Clock speed	Multiplier	JP2	JP3	JP6	JP7
120MHz	50MHz	2x	1 & 2	2 & 3	Closed	Closed
133MHz	55MHz	2x	1 & 2	2 & 3	Open	Open
150MHz	60MHz	2x	1 & 2	2 & 3	Closed	Open
166MHz	66MHz	2x	1 & 2	2 & 3	Open	Closed
200MHz	50MHz	1.5x	1 & 2	1 & 2	Closed	Closed

Note: Pins designated should be in the closed position.

CPU SPEED SELECTION (AMD)						
CPU speed	Clock speed	Multiplier	JP2	JP3	JP6	JP7
75MHz	50MHz	1.5x	1 & 2	1 & 2	Closed	Closed
90MHz	60MHz	1.5x	1 & 2	1 & 2	Closed	Open
100MHz	66MHz	1.5x	1 & 2	1 & 2	Open	Closed
120MHz	60MHz	1.5x	1 & 2	1 & 2	Closed	Open
133MHz	66MHz	1.5x	1 & 2	1 & 2	Open	Closed
150MHz	60MHz	2x	1 & 2	2 & 3	Closed	Open
166MHz	66MHz	2x	1 & 2	2 & 3	Open	Closed

Note: Pins designated should be in the closed position.

CPU SPEED SELECTION (INTEL)						
CPU speed	Clock speed	Multiplier	JP2	JP3	JP6	JP7
75MHz	50MHz	1.5x	1 & 2	1 & 2	Closed	Closed
90MHz	60MHz	1.5x	1 & 2	1 & 2	Closed	Open
100MHz	66MHz	1.5x	1 & 2	1 & 2	Open	Closed
120MHz	60MHz	2x	1 & 2	2 & 3	Closed	Open
133MHz	66MHz	2x	1 & 2	2 & 3	Open	Closed
150MHz	60MHz	2.5x	2 & 3	2 & 3	Closed	Open
166MHz	66MHz	2.5x	2 & 3	2 & 3	Open	Closed
180MHz	60MHz	3x	2 & 3	1 & 2	Closed	Open
200MHz	66MHz	3x	2 & 3	1 & 2	Open	Closed

Note: Pins designated should be in the closed position.

CPU TYPE SELECTION				
Type	J13	J14	J15	J16
Cyrix	Pins 2 & 3 closed	Pins 2 & 3 closed	Pins 2 & 3 closed	Pins 2 & 3 closed
AMD (B, C, F)	Pins 2 & 3 closed	Pins 2 & 3 closed	Pins 2 & 3 closed	Pins 2 & 3 closed
AMD (H, J, K)	Pins 1 & 2 closed	Pins 1 & 2 closed	Pins 1 & 2 closed	Pins 1 & 2 closed
P54C	Pins 2 & 3 closed	Pins 2 & 3 closed	Pins 2 & 3 closed	Pins 2 & 3 closed
P55C	Pins 1 & 2 closed	Pins 1 & 2 closed	Pins 1 & 2 closed	Pins 1 & 2 closed

Continued on next page. . .

KADATCO CO., LTD.  
A M - 4 3 3 V X

... continued from previous page

CPU VOLTAGE SELECTION	
Voltage	JP17
STD	Pins 2 & 3 closed
VRE	Pins 1 & 2 closed

CPU VOLTAGE SELECTION	
Voltage	JP5
2.5v	Pins 1 & 2 closed
2.7v	Pins 3 & 4 closed
2.93v	Pins 5 & 6 closed
3.38v	Pins 7 & 8 closed
3.52v	Pins 9 & 10 closed