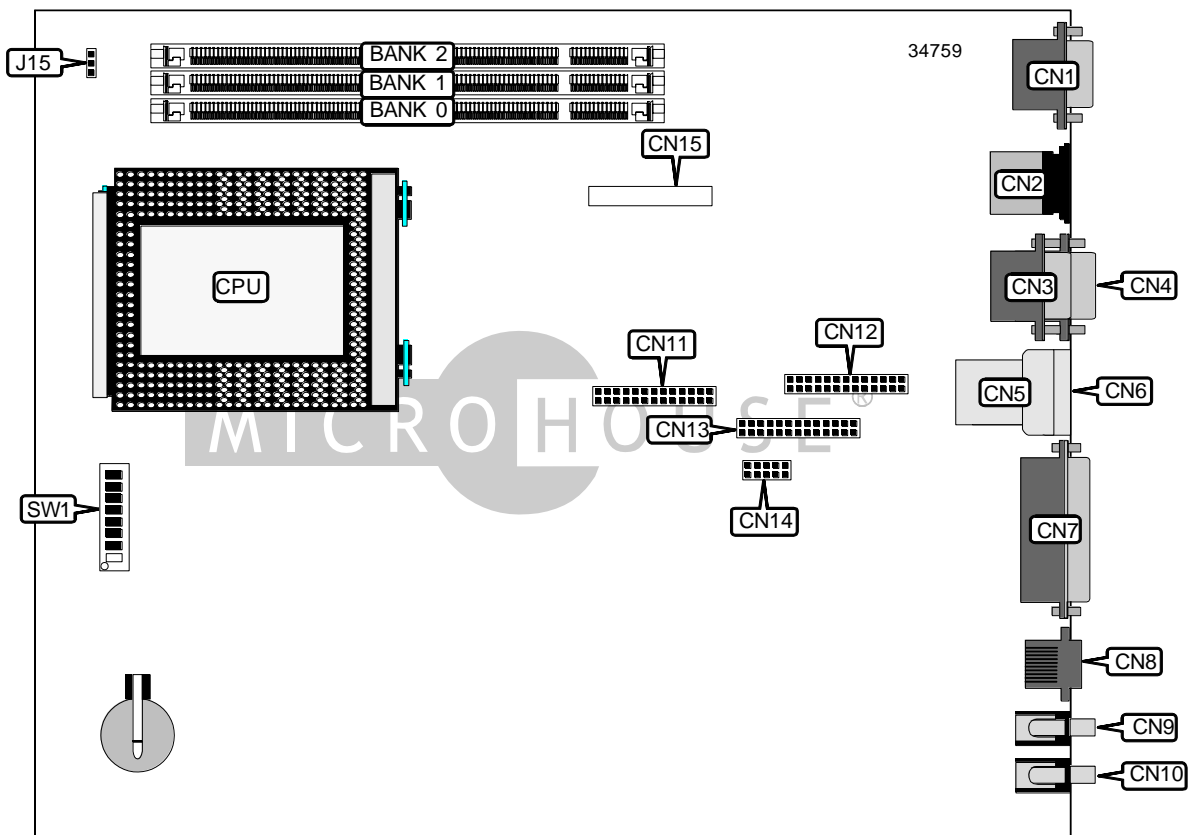


# IBM CORPORATION PC300 (TYPE 6562, 6592)

<b>Device Type</b>	Mainboard
<b>Processor</b>	Pentium Pro
<b>Processor Speed</b>	166/200/233MHz
<b>Chip Set</b>	Unidentified
<b>Video Chip Set</b>	Unidentified
<b>Maximum Onboard Memory</b>	384MB (EDO supported)
<b>Maximum Video Memory</b>	Unidentified
<b>Cache</b>	256/512KB (located on Pentium Pro CPU)
<b>BIOS</b>	Unidentified
<b>Dimensions</b>	330mm x 218mm
<b>I/O Options</b>	Ethernet 10BaseT connector, parallel port, PS/2 mouse port, serial ports (2), VGA feature connector, VGA port, IR connector, USB connectors (2), line in, line out
<b>NPU Options</b>	None



*Continued on next page . . .*

IBM CORPORATION  
PC300 (TYPE 6562, 6592)

... continued from previous page

CONNECTIONS			
Purpose	Location	Purpose	Location
VGA port	CN1	Line in	CN9
PS/2 mouse port	CN2	Line out	CN10
Serial port 2	CN3	Rainbow Runner connector	CN11
Serial port 1	CN4	Matrox Rainbow Runner connector	CN12
USB connector 2	CN5	VGA feature connector	CN13
USB connector 1	CN6	IR connector	CN14
Parallel port	CN7	Rainbow Runner connector	CN15
Ethernet 10BaseT connector	CN8		

USER CONFIGURABLE SETTINGS		
Function	Label	Position
í CMOS memory normal operation	J15	Pins 1 & 2 closed
CMOS memory clear	J15	Pins 2 & 3 closed
í Factory configured - do not alter	SW1/5	Off
í Ethernet enabled	SW1/6	Off
Ethernet disabled	SW1/6	On
í Password disabled	SW1/7	Off
Password enabled	SW1/7	On
í Floppy drive normal operation	SW1/8	Off
Floppy drive read only	SW1/8	On

DIMM CONFIGURATION			
Size	Bank 0	Bank 1	Bank 2
8MB	(1) 1M x 64	None	None
16MB	(1) 2M x 64	None	None
16MB	(1) 1M x 64	(1) 1M x 64	None
24MB	(1) 2M x 64	(1) 1M x 64	None
24MB	(1) 1M x 64	(1) 1M x 64	(1) 1M x 64
32MB	(1) 4M x 64	None	None
32MB	(1) 2M x 64	(1) 1M x 64	(1) 1M x 64
32MB	(1) 2M x 64	(1) 2M x 64	None
40MB	(1) 4M x 64	(1) 1M x 64	None
40MB	(1) 2M x 64	(1) 2M x 64	(1) 1M x 64
48MB	(1) 4M x 64	(1) 1M x 64	(1) 1M x 64
48MB	(1) 4M x 64	(1) 2M x 64	None
48MB	(1) 2M x 64	(1) 2M x 64	(1) 2M x 64
56MB	(1) 4M x 64	(1) 2M x 64	(1) 1M x 64
64MB	(1) 8M x 64	None	None
64MB	(1) 4M x 64	(1) 4M x 64	None

Continued on next page. . .

IBM CORPORATION  
PC300 (TYPE 6562, 6592)

... continued from previous page

DIMM CONFIGURATION (CON'T)			
Size	Bank 0	Bank 1	Bank 2
72MB	(1) 8M x 64	(1) 1M x 64	None
72MB	(1) 4M x 64	(1) 4M x 64	(1) 1M x 64
80MB	(1) 8M x 64	(1) 1M x 64	(1) 1M x 64
80MB	(1) 4M x 64	(1) 4M x 64	(1) 2M x 64
88MB	(1) 8M x 64	(1) 2M x 64	(1) 1M x 64
96MB	(1) 8M x 64	(1) 2M x 64	(1) 2M x 64
96MB	(1) 4M x 64	(1) 4M x 64	(1) 4M x 64
104MB	(1) 8M x 64	(1) 4M x 64	(1) 1M x 64
112MB	(1) 8M x 64	(1) 4M x 64	(1) 2M x 64
128MB	(1) 16M x 64	None	None
128MB	(1) 8M x 64	(1) 4M x 64	(1) 4M x 64
128MB	(1) 8M x 64	(1) 8M x 64	None
144MB	(1) 16M x 64	(1) 1M x 64	(1) 1M x 64
144MB	(1) 16M x 64	(1) 2M x 64	None
144MB	(1) 8M x 64	(1) 8M x 64	(1) 2M x 64
152MB	(1) 16M x 64	(1) 2M x 64	(1) 1M x 64
160MB	(1) 16M x 64	(1) 2M x 64	(1) 2M x 64
160MB	(1) 8M x 64	(1) 8M x 64	(1) 4M x 64
168MB	(1) 16M x 64	(1) 4M x 64	(1) 1M x 64
176MB	(1) 16M x 64	(1) 4M x 64	(1) 2M x 64
192MB	(1) 16M x 64	(1) 4M x 64	(1) 4M x 64
192MB	(1) 8M x 64	(1) 8M x 64	(1) 8M x 64
200MB	(1) 16M x 64	(1) 8M x 64	(1) 1M x 64
208MB	(1) 16M x 64	(1) 8M x 64	(1) 2M x 64
224MB	(1) 16M x 64	(1) 8M x 64	(1) 4M x 64
256MB	(1) 16M x 64	(1) 8M x 64	(1) 8M x 64
384MB	(1) 16M x 64	(1) 16M x 64	(1) 16M x 64

Note: Board accepts EDO memory.

CACHE CONFIGURATION
Note: 256KB/512KB cache is located on the Pentium Pro CPU.

VIDEO MEMORY CONFIGURATION
Note: The size and location of the video memory is unidentified.

CPU SPEED SELECTION						
CPU speed	Clock speed	Multiplier	SW1/1	SW1/2	SW1/3	SW1/4
166MHz	66MHz	2.5x	On	On	On	Off
200MHz	66MHz	3x	Off	On	On	Off
233MHz	66MHz	3.5x	Off	Off	On	Off