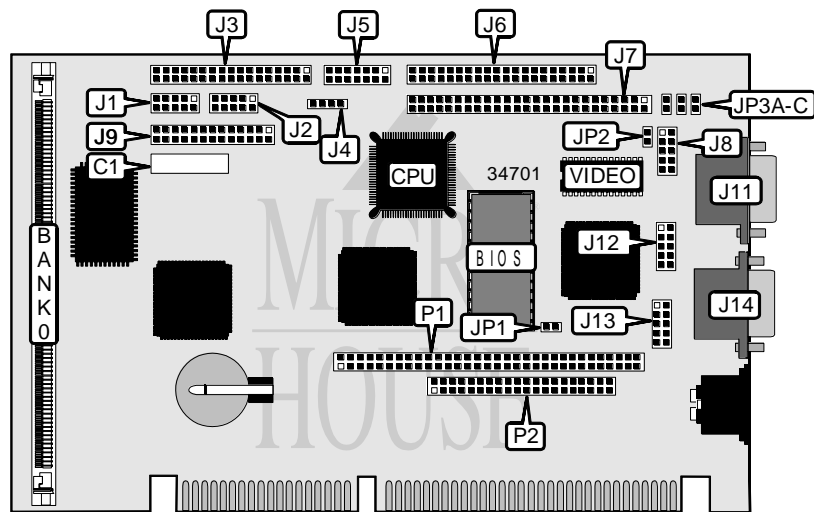


RADISYS CORPORATION

E P C - 3 0

Processor	80386SX
Processor Speed	16/20/25/33MHz
Chip Set	Unidentified
Video Chip Set	Cirrus Logic
Maximum Onboard Memory	16MB
Maximum Video Memory	512KB
Cache	None
BIOS	Phoenix
Dimensions	Unidentified
I/O Options	Floppy drive interface, IDE interface, parallel port, PS/2 mouse interface, serial ports (4), VGA port, PC/104 connectors (2), flat panel connector
NPU Options	None



CONNECTIONS			
Purpose	Location	Purpose	Location
Serial port 2	J1	Parallel port	J9
Serial port 3	J2	VGA port	J11
Floppy drive interface	J3	Serial port 1 (alternate)	J12
Power connector	J4	PS/2 mouse/keyboard interface	J13
IDE interface	J6	Serial port 1	J14
Flat panel connector	J7	PC/104 connector	P1
VGA interface	J8	PC/104 connector	P2

Continued on next page. . .

... continued from previous page

USER CONFIGURABLE SETTINGS		
Function	Label	Position
í Factory configured – do not alter	C1	Unidentified
í Factory configured – do not alter (test socket)	J5	Unidentified
í Flash BIOS write protect disabled	JP1	Open
Flash BIOS write protect enabled	JP1	Closed
í Manufacturing loop disabled	JP2	Open
Manufacturing loop enabled	JP2	Closed

SIMM CONFIGURATION	
Size	Bank 0
1MB	(1) 256K x 36
2MB	(1) 512K x 36
4MB	(1) 1M x 36
8MB	(1) 2M x 36
16MB	(1) 4M x 36

VIDEO MEMORY CONFIGURATION
Note: 512KB video memory is factory installed and is not configurable.

FLAT PANEL SELECTION			
Setting	JP3A	JP3B	JP3C
í0-bit disabled	Open	Open	Open
0-bit enabled	Closed	Closed	Closed