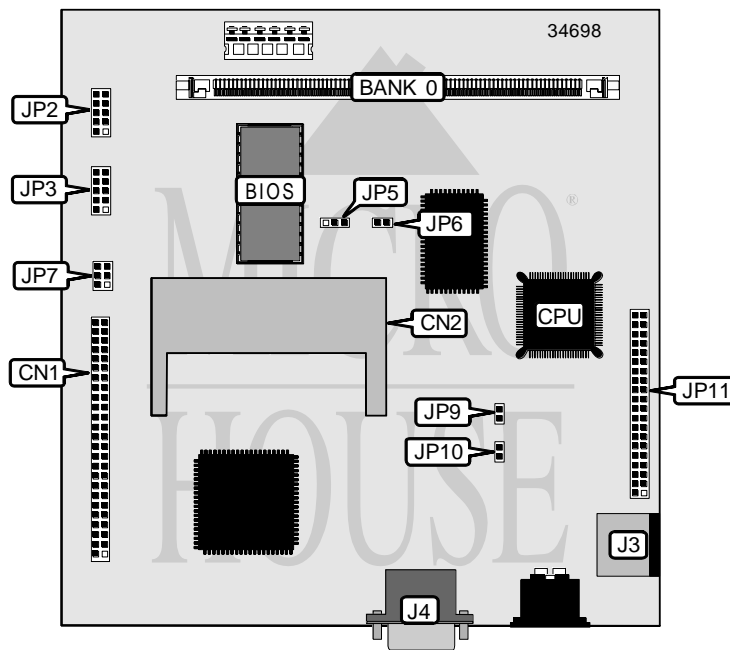


RADISYS CORPORATION

E P C - 4 1

Processor	80386EX
Processor Speed	Unidentified
Chip Set	Unidentified
Video Chip Set	Cirrus Logic
Maximum Onboard Memory	16MB
Maximum Video Memory	512KB
Cache	None
BIOS	Phoenix
Dimensions	138mm x 138mm
I/O Options	Floppy drive interface, IDE interface, PS/2 mouse port, serial ports (2), VGA port, flat panel connector
NPU Options	None



CONNECTIONS			
Purpose	Location	Purpose	Location
Flat panel connector	CN1	Serial port 2	JP2
PC card carrier	CN2	Serial port 1	JP3
PS/2 mouse port	J3	IDE interface	JP11
VGA port	J4		

Continued on next page. . .

... continued from previous page

USER CONFIGURABLE SETTINGS		
Function	Label	Position
Flash BIOS write protect enabled	JP5	Pins 2 & 3 closed
Flash BIOS write protect disabled	JP5	Pins 1 & 2 closed
Factory configured - do not alter (Flat panel selection)	JP7	Open
Power-on self test (POST) disabled	JP9	Open
Power-on self test (POST) enabled	JP9	Closed
Flash BIOS force update disabled	JP10	Open
Flash BIOS force update enabled	JP10	Closed

SIMM CONFIGURATION	
Size	Bank 0
1MB	(1) 256K x 36
2MB	(1) 512K x 36
4MB	(1) 1M x 36
8MB	(1) 2M x 36
16MB	(1) 4M x 36

SIMM JUMPER CONFIGURATION	
Size	JP6
1MB	Open
2MB	Closed
4MB	Open
8MB	Closed
16MB	Closed

VIDEO MEMORY CONFIGURATION
Note: 512KB video memory is factory installed and is not configurable.