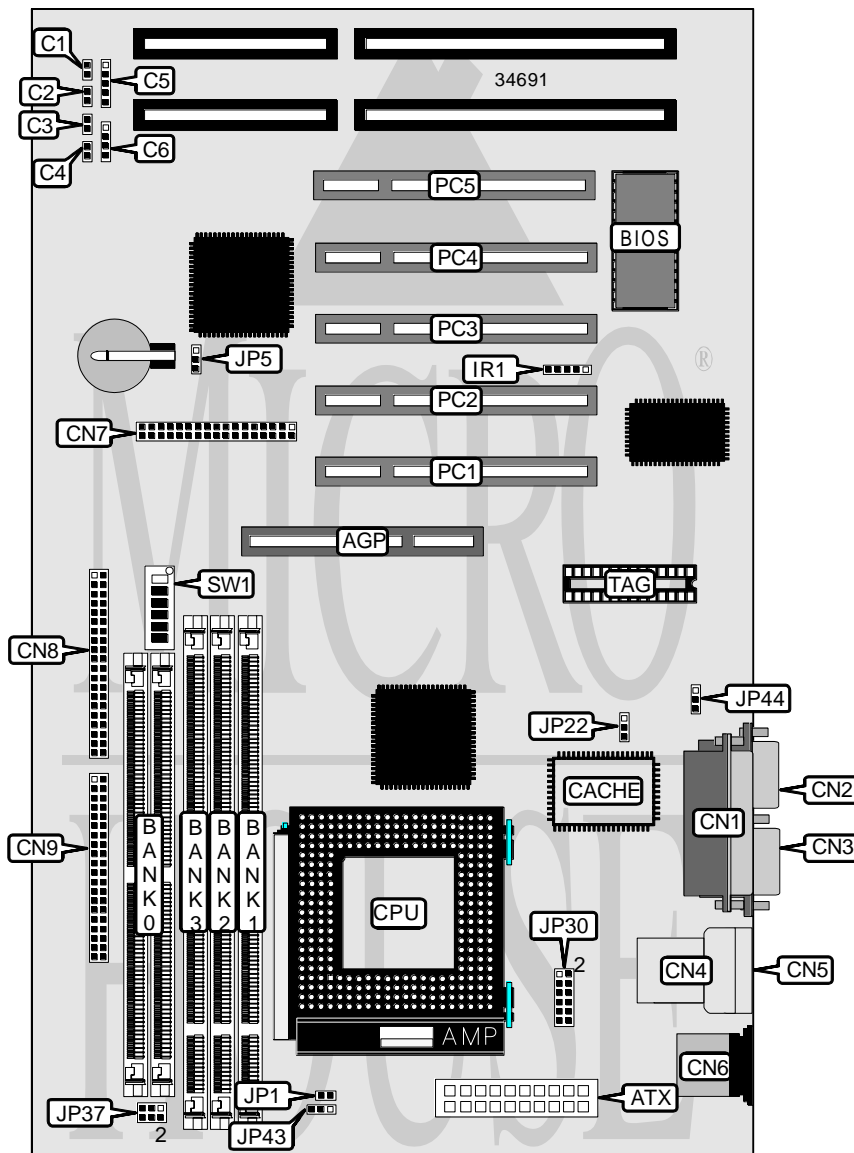


SOYO COMPUTER CO., LTD.
5ED5, 5EDM

Processor	CX 6X86/CX 6X86L/CX 686MX/AM K5/AM K6/Pentium
Processor Speed	75/90/100/120/133/150/166/180/200/233/266/300MHz
Chip Set	ETEQ
Video Chip Set	None
Maximum Onboard Memory	384MB (EDO & SDRAM supported)
Maximum Video Memory	None
Cache	512/1024KB
BIOS	Unidentified
Dimensions	305mm x 244mm
I/O Options	32-bit PCI slots (5), floppy drive interface, IDE interfaces (2), parallel port, PS/2 mouse port, serial ports (2), IR connector, USB connectors (2), ATX power connector, AGP slot
NPU Options	None



Continued on next page . . .

... continued from previous page

CONNECTIONS			
Purpose	Location	Purpose	Location
AGP slot	AGP	USB connector 1	CN4
ATX power connector	ATX	USB connector 2	CN5
Reset switch	C1	PS/2 mouse port	CN6
Soft off power supply	C2	Floppy drive interface	CN7
Turbo LED	C3	IDE interface 1	CN8
IDE interface LED	C4	IDE interface 2	CN9
Power LED & keylock	C5	IR connector	IR1
Speaker	C6	CPU fan power	JP43
Parallel port	CN1	Wake on LAN connector	JP44
Serial port 2	CN2	32-bit PCI slots	PC1 – PC5
Serial port 1	CN3		

USER CONFIGURABLE SETTINGS		
Function	Label	Position
í CMOS memory normal operation	JP5	Pins 1 & 2 closed
CMOS memory clear	JP5	Pins 2 & 3 closed
CPU burst mode select interleave	JP22	Pins 1 & 2 closed
CPU burst mode select linear	JP22	Pins 2 & 3 closed

SIMM CONFIGURATION	
Size	Bank 0
8MB	(2) 1M x 36
16MB	(2) 2M x 36
32MB	(2) 4M x 36
64MB	(2) 8M x 36

DIMM CONFIGURATION			
Size	Bank 1	Bank 2	Bank 3
8MB	(1) 1M x 64	None	None
16MB	(1) 2M x 64	None	None
16MB	(1) 1M x 64	(1) 1M x 64	None
24MB	(1) 2M x 64	(1) 1M x 64	None
24MB	(1) 1M x 64	(1) 1M x 64	(1) 1M x 64
32MB	(1) 4M x 64	None	None
32MB	(1) 2M x 64	(1) 2M x 64	None
40MB	(1) 4M x 64	(1) 1M x 64	None
48MB	(1) 4M x 64	(1) 2M x 64	None
48MB	(1) 2M x 64	(1) 2M x 64	(1) 2M x 64
64MB	(1) 8M x 64	None	None
64MB	(1) 4M x 64	(1) 4M x 64	None
72MB	(1) 8M x 64	(1) 1M x 64	None

Continued on next page. . .

SOYO COMPUTER CO., LTD.
5ED5, 5EDM

... continued from previous page

DIMM CONFIGURATION (CON'T)			
Size	Bank 1	Bank 2	Bank 3
80MB	(1) 8M x 64	(1) 2M x 64	None
96MB	(1) 8M x 64	(1) 4M x 64	None
96MB	(1) 4M x 64	(1) 4M x 64	(1) 4M x 64
128MB	(1) 16M x 64	None	None
128MB	(1) 8M x 64	(1) 8M x 64	None
136MB	(1) 16M x 64	(1) 1M x 64	None
144MB	(1) 16M x 64	(1) 2M x 64	None
160MB	(1) 16M x 64	(1) 4M x 64	None
192MB	(1) 16M x 64	(1) 8M x 64	None
192MB	(1) 8M x 64	(1) 8M x 64	(1) 8M x 64
256MB	(1) 16M x 64	(1) 16M x 64	None
384MB	(1) 16M x 64	(1) 16M x 64	(1) 16M x 64

Note: Board accepts EDO & SDRAM memory. Do not install FPM or EDO SIMMs/DIMMs if SDRAM DIMMs are already installed.

DIMM VOLTAGE CONFIGURATION	
Voltage	JP37
3.3v	Pins 1 & 3, 2 & 4 closed
5v	Pins 3 & 5, 4 & 6 closed

CACHE CONFIGURATION			
Size	Bank 0	Bank 1	TAG
512KB	(1) 64K x 64	None	(1) 16K x 8
1MB	(1) 64K x 64	(1) 64K x 64	Unidentified

Note: The location of the banks is unidentified.

CPU SPEED SELECTION (CX 6X86/6X86L)								
CPU speed	Clock speed	Multiplier	SW1/1	SW1/2	SW1/3	SW1/4	SW1/5	SW1/6
150MHz	60MHz	2x	On	Off	Off	On	Off	Off
166MHz	66MHz	2x	On	Off	Off	Off	Off	Off
200MHz	75MHz	2x	On	Off	Off	Off	On	Off

CPU SPEED SELECTION (CX 6X86MX)								
CPU speed	Clock speed	Multiplier	SW1/1	SW1/2	SW1/3	SW1/4	SW1/5	SW1/6
166MHz	60MHz	2.5x	On	On	Off	On	Off	Off
200MHz	66MHz	2.5x	On	On	Off	Off	Off	Off
233MHz	75MHz	2.5x	On	On	Off	Off	On	Off
233MHz	66MHz	3x	Off	On	Off	Off	Off	Off
266MHz	75MHz	3x	Off	On	Off	Off	On	Off
266MHz	66MHz	3.5x	Off	Off	Off	Off	Off	Off

Continued on next page...

... continued from previous page

CPU SPEED SELECTION (AM K5)								
CPU speed	Clock speed	Multiplier	SW1/1	SW1/2	SW1/3	SW1/4	SW1/5	SW1/6
75MHz	50MHz	1.5x	Off	Off	Off	On	On	On
90MHz	60MHz	1.5x	Off	Off	Off	On	Off	Off
100MHz	66MHz	1.5x	Off	Off	Off	Off	Off	Off
120MHz	60MHz	1.5x	Off	Off	Off	On	Off	Off
133MHz	66MHz	1.5x	Off	Off	Off	Off	Off	Off
166MHz	66MHz	2.5x	On	On	Off	Off	Off	Off

CPU SPEED SELECTION (AM K6)								
CPU speed	Clock speed	Multiplier	SW1/1	SW1/2	SW1/3	SW1/4	SW1/5	SW1/6
166MHz	66MHz	2.5x	On	On	Off	Off	Off	Off
180MHz	60MHz	3x	Off	On	Off	On	Off	Off
200MHz	66MHz	3x	Off	On	Off	Off	Off	Off
233MHz	66MHz	3.5x	Off	Off	Off	Off	Off	Off
266MHz	66MHz	4x	On	Off	On	Off	Off	Off
300MHz	66MHz	4.5x	On	On	On	Off	Off	Off

CPU SPEED SELECTION (INTEL)								
CPU speed	Clock speed	Multiplier	SW1/1	SW1/2	SW1/3	SW1/4	SW1/5	SW1/6
75MHz	50MHz	1.5x	Off	Off	Off	On	On	On
90MHz	60MHz	1.5x	Off	Off	Off	On	Off	Off
100MHz	66MHz	1.5x	Off	Off	Off	Off	Off	Off
120MHz	60MHz	2x	On	Off	Off	On	Off	Off
133MHz	66MHz	2x	On	Off	Off	Off	Off	Off
150MHz	60MHz	2.5x	On	On	Off	On	Off	Off
166MHz	66MHz	2.5x	On	On	Off	Off	Off	Off
180MHz	60MHz	3x	Off	On	Off	On	Off	Off
200MHz	66MHz	3x	Off	On	Off	Off	Off	Off

CPU SPEED SELECTION (INTEL MMX)								
CPU speed	Clock speed	Multiplier	SW1/1	SW1/2	SW1/3	SW1/4	SW1/5	SW1/6
166MHz	66MHz	2.5x	On	On	Off	Off	Off	Off
180MHz	60MHz	3x	Off	On	Off	Off	Off	Off
200MHz	66MHz	3x	Off	On	Off	Off	Off	Off
233MHz	66MHz	3.5x	Off	Off	Off	Off	Off	Off

CPU VOLTAGE SELECTION (SINGLE)	
Voltage	JP30
í 3.52v	Pins 1 & 2, 11 & 12 closed

Continued on next page. . .

SOYO COMPUTER CO., LTD.
5ED5, 5EDM

... continued from previous page

CPU VOLTAGE SELECTION (DUAL)	
Voltage	JP30
2.1	Pins 5 & 6 closed
2.8v	Pins 1 & 2, 11 & 12 closed
2.9v	Pins 1 & 2, 5 & 6 closed
3.2v	Pins 1 & 2, 7 & 8 closed

MISCELLANEOUS TECHNICAL NOTE
If board has an older CPU that does not automatically detect the voltage, open jumper JP1.