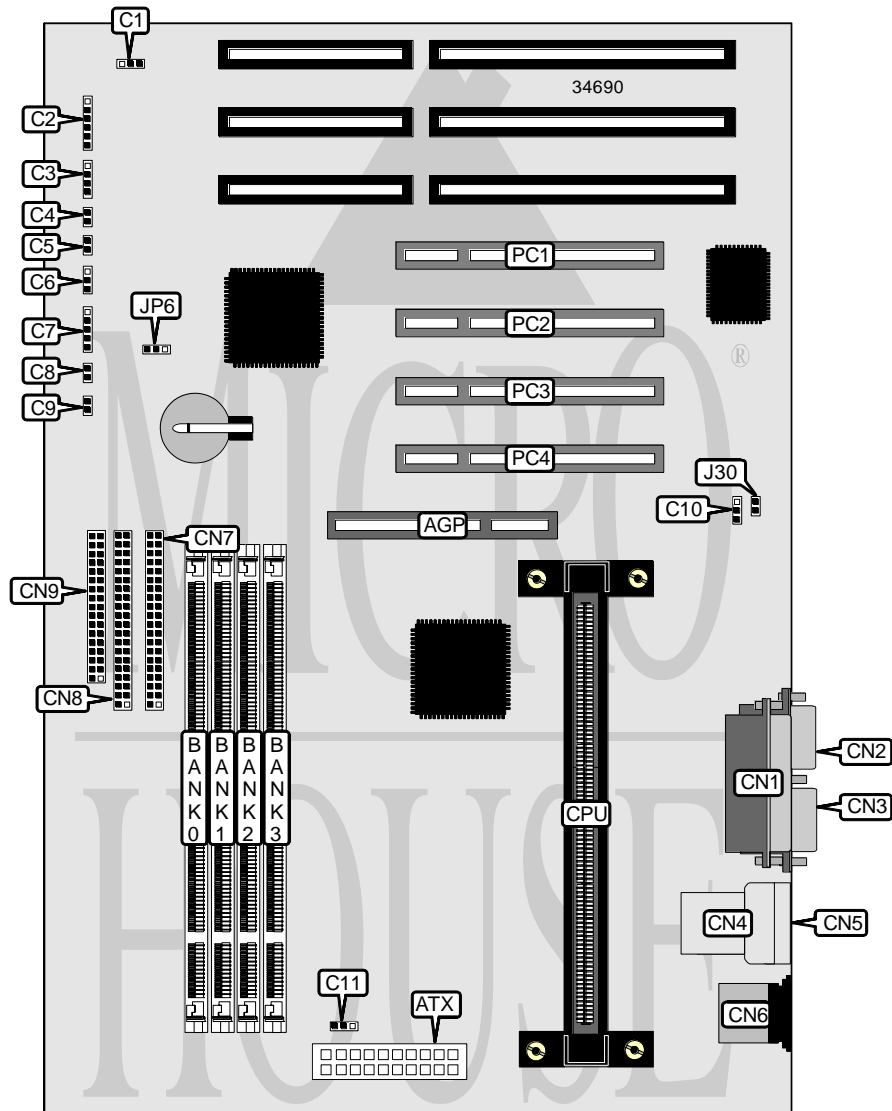


QDI COMPUTER, INC.

P6I440LX/ATX LEGEND - I

| | |
|-------------------------------|---|
| Processor | Pentium II |
| Processor Speed | 233/266/300/333MHz |
| Chip Set | Intel |
| Video Chip Set | None |
| Maximum Onboard Memory | 1GB (EDO & SDRAM supported) |
| Maximum Video Memory | None |
| Cache | 256/512KB (located on Pentium II CPU) |
| BIOS | Award |
| Dimensions | 305mm x 244mm |
| I/O Options | 32-bit PCI slots (4), floppy drive interface, green PC connector, IDE interfaces (2), parallel port, PS/2 mouse port, serial ports (2), IR connector, USB connectors (2), ATX power connector, AGP slot |
| NPU Options | None |



Continued on next page. . .

QDI COMPUTER, INC.
P6I440LX/ATX LEGEND-I

... continued from previous page

| CONNECTIONS | | | |
|---------------------|----------|------------------------|-----------|
| Purpose | Location | Purpose | Location |
| AGP slot | AGP | CPU fan power | C11 |
| ATX power connector | ATX | Parallel port | CN1 |
| Chassis fan power | C1 | Serial port 1 | CN2 |
| IR connector | C2 | Serial port 2 | CN3 |
| Speaker | C3 | USB connector 1 | CN4 |
| Reset switch | C4 | USB connector 2 | CN5 |
| IDE interface LED | C5 | PS/2 mouse port | CN6 |
| Power LED | C6 | IDE interface 2 | CN7 |
| Power LED & keylock | C7 | IDE interface 1 | CN8 |
| Green PC connector | C8 | Floppy drive interface | CN9 |
| Turbo LED | C9 | 32-bit PCI slots | PC1 – PC4 |
| CPU fan power | C10 | | |

| USER CONFIGURABLE SETTINGS | | |
|--------------------------------|-------|-------------------|
| Function | Label | Position |
| Chassis security open | J30 | Closed |
| Chassis security closed | J30 | Open |
| í CMOS memory normal operation | JP6 | Pins 2 & 3 closed |
| CMOS memory clear | JP6 | Pins 1 & 2 closed |

| DIMM CONFIGURATION | | | | |
|--------------------|-------------|-------------|-------------|-------------|
| Size | Bank 0 | Bank 1 | Bank 2 | Bank 3 |
| 8MB | (1) 1M x 64 | None | None | None |
| 16MB | (1) 2M x 64 | None | None | None |
| 16MB | (1) 1M x 64 | (1) 1M x 64 | None | None |
| 24MB | (1) 2M x 64 | (1) 1M x 64 | None | None |
| 24MB | (1) 1M x 64 | (1) 1M x 64 | (1) 1M x 64 | None |
| 32MB | (1) 2M x 64 | (1) 2M x 64 | None | None |
| 32MB | (1) 4M x 64 | None | None | None |
| 32MB | (1) 1M x 64 | (1) 1M x 64 | (1) 1M x 64 | (1) 1M x 64 |
| 40MB | (1) 2M x 64 | (1) 2M x 64 | (1) 1M x 64 | None |
| 40MB | (1) 2M x 64 | (1) 1M x 64 | (1) 1M x 64 | (1) 1M x 64 |
| 40MB | (1) 4M x 64 | (1) 1M x 64 | None | None |
| 48MB | (1) 2M x 64 | (1) 2M x 64 | (1) 2M x 64 | None |
| 48MB | (1) 2M x 64 | (1) 2M x 64 | (1) 1M x 64 | (1) 1M x 64 |
| 48MB | (1) 4M x 64 | (1) 1M x 64 | (1) 1M x 64 | None |
| 56MB | (1) 4M x 64 | (1) 2M x 64 | (1) 1M x 64 | None |
| 56MB | (1) 4M x 64 | (1) 1M x 64 | (1) 1M x 64 | (1) 1M x 64 |
| 64MB | (1) 2M x 64 | (1) 2M x 64 | (1) 2M x 64 | (1) 2M x 64 |
| 64MB | (1) 4M x 64 | (1) 4M x 64 | None | None |
| 64MB | (1) 8M x 64 | None | None | None |

Continued on next page...

QDI COMPUTER, INC.
P6I440LX/ATX LEGEND - I

... continued from previous page

| DIMM CONFIGURATION (CON'T) | | | | |
|----------------------------|--------------|--------------|--------------|--------------|
| Size | Bank 0 | Bank 1 | Bank 2 | Bank 3 |
| 80MB | (1) 4M x 64 | (1) 2M x 64 | (1) 2M x 64 | (1) 2M x 64 |
| 80MB | (1) 4M x 64 | (1) 4M x 64 | (1) 1M x 64 | (1) 1M x 64 |
| 80MB | (1) 8M x 64 | (1) 2M x 64 | None | None |
| 80MB | (1) 8M x 64 | (1) 1M x 64 | (1) 1M x 64 | None |
| 96MB | (1) 4M x 64 | (1) 4M x 64 | (1) 2M x 64 | (1) 2M x 64 |
| 96MB | (1) 4M x 64 | (1) 4M x 64 | (1) 4M x 64 | None |
| 96MB | (1) 8M x 64 | (1) 2M x 64 | (1) 1M x 64 | (1) 1M x 64 |
| 112MB | (1) 4M x 64 | (1) 4M x 64 | (1) 4M x 64 | (1) 2M x 64 |
| 112MB | (1) 8M x 64 | (1) 4M x 64 | (1) 2M x 64 | None |
| 112MB | (1) 8M x 64 | (1) 4M x 64 | (1) 1M x 64 | (1) 1M x 64 |
| 128MB | (1) 16M x 64 | None | None | None |
| 128MB | (1) 4M x 64 | (1) 4M x 64 | (1) 4M x 64 | (1) 4M x 64 |
| 128MB | (1) 8M x 64 | (1) 4M x 64 | (1) 4M x 64 | None |
| 128MB | (1) 8M x 64 | (1) 8M x 64 | None | None |
| 160MB | (1) 16M x 64 | (1) 2M x 64 | (1) 1M x 64 | (1) 1M x 64 |
| 192MB | (1) 16M x 64 | (1) 4M x 64 | (1) 4M x 64 | None |
| 192MB | (1) 8M x 64 | (1) 8M x 64 | (1) 4M x 64 | (1) 4M x 64 |
| 192MB | (1) 8M x 64 | (1) 8M x 64 | (1) 8M x 64 | None |
| 224MB | (1) 16M x 64 | (1) 8M x 64 | (1) 2M x 64 | (1) 2M x 64 |
| 224MB | (1) 16M x 64 | (1) 8M x 64 | (1) 4M x 64 | None |
| 256MB | (1) 16M x 64 | (1) 16M x 64 | None | None |
| 256MB | (1) 16M x 64 | (1) 8M x 64 | (1) 4M x 64 | (1) 4M x 64 |
| 256MB | (1) 16M x 64 | (1) 8M x 64 | (1) 8M x 64 | None |
| 256MB | (1) 8M x 64 | (1) 8M x 64 | (1) 8M x 64 | (1) 8M x 64 |
| 288MB | (1) 16M x 64 | (1) 16M x 64 | (1) 4M x 64 | None |
| 320MB | (1) 16M x 64 | (1) 8M x 64 | (1) 8M x 64 | (1) 8M x 64 |
| 384MB | (1) 16M x 64 | (1) 16M x 64 | (1) 16M x 64 | None |
| 384MB | (1) 16M x 64 | (1) 16M x 64 | (1) 8M x 64 | (1) 8M x 64 |
| 448MB | (1) 16M x 64 | (1) 16M x 64 | (1) 16M x 64 | (1) 8M x 64 |
| 512MB | (1) 16M x 64 | (1) 16M x 64 | (1) 16M x 64 | (1) 16M x 64 |
| 1024MB | (1) 32M x 64 | (1) 32M x 64 | (1) 32M x 64 | (1) 32M x 64 |

Note: Board accepts EDO & SDRAM memory. EDO maximum is 1GB & SDRAM maximum is 512MB.

| CACHE CONFIGURATION |
|---|
| Note: 256KB/512KB cache is located on the Pentium II CPU. |