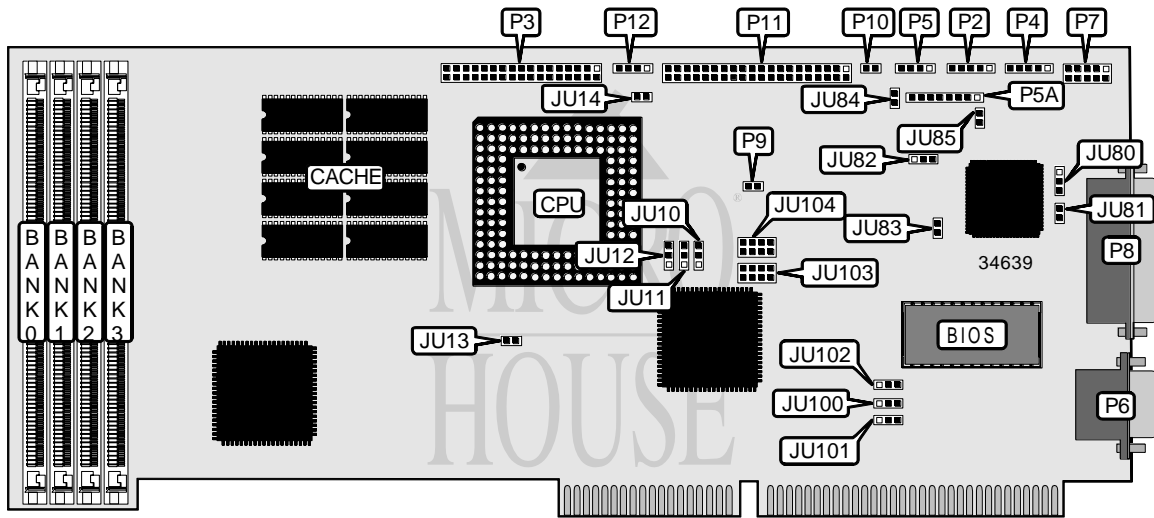


TRENTON TECHNOLOGY, INC.

TR-486DX

Processor	80486SX/80486DX/80486DX2/80486DX4/P24D/P24T
Processor Speed	33/50(internal)/50/66(internal)100(internal)MHz
Chip Set	Unidentified
Video Chip Set	None
Maximum Onboard Memory	128MB
Maximum Video Memory	None
Cache	256KB
BIOS	AMI
Dimensions	Unidentified
I/O Options	Floppy drive interface, IDE interface, parallel port, serial ports (2)
NPU Options	None



CONNECTIONS			
Purpose	Location	Purpose	Location
Power LED & keylock	P2	Serial port 2	P7
Floppy drive interface	P3	Parallel port	P8
Auxiliary keyboard connector	P4	CPU fan power	P9
Speaker	P5	Reset switch	P10
Combo I/O connector	P5A	IDE interface	P11
Serial port 1	P6	IDE interface LED	P12

Continued on next page. . .

TRENTON TECHNOLOGY, INC.
TR-486DX

... continued from previous page

USER CONFIGURABLE SETTINGS		
Function	Label	Position
í Monitor type select color	JU80	Pins 1 & 2 closed
Monitor type select monochrome	JU80	Pins 2 & 3 closed
í Password normal operation	JU81	Open
Password clear	JU81	Closed
í Watchdog timer disabled	JU82	Pins 1 & 2 closed
Watchdog timer enabled	JU82	Pins 2 & 3 closed
í CMOS memory normal operation	JU83	Open
CMOS memory clear	JU83	Closed
í Speaker data signal to pin 8 on P5A enabled	JU84	Closed
Speaker data signal to pin 8 on P5A disabled	JU84	Open
í Reset data signal to pin 1 on P5A enabled	JU85	Closed
Reset data signal to pin 1 on P5A disabled	JU85	Open

SIMM CONFIGURATION				
Size	Bank 0	Bank 1	Bank 2	Bank 3
4MB	(1) 1M x 36	None	None	None
8MB	(1) 2M x 36	None	None	None
8MB	(1) 1M x 36	(1) 1M x 36	None	None
12MB	(1) 2M x 36	(1) 1M x 36	None	None
12MB	(1) 1M x 36	(1) 1M x 36	(1) 1M x 36	None
16MB	(1) 4M x 36	None	None	None
16MB	(1) 2M x 36	(1) 1M x 36	(1) 1M x 36	None
16MB	(1) 2M x 36	(1) 2M x 36	None	None
16MB	(1) 1M x 36	(1) 1M x 36	(1) 1M x 36	(1) 1M x 36
20MB	(1) 4M x 36	(1) 1M x 36	None	None
20MB	(1) 2M x 36	(1) 1M x 36	(1) 1M x 36	(1) 1M x 36
20MB	(1) 1M x 36	(1) 2M x 36	(1) 2M x 36	None
24MB	(1) 4M x 36	(1) 1M x 36	(1) 1M x 36	None
24MB	(1) 4M x 36	(1) 2M x 36	None	None
24MB	(1) 2M x 36	(1) 2M x 36	(1) 2M x 36	None
28MB	(1) 4M x 36	(1) 1M x 36	(1) 1M x 36	(1) 1M x 36
28MB	(1) 1M x 36	(1) 2M x 36	(1) 2M x 36	(1) 2M x 36
32MB	(1) 8M x 36	None	None	None
32MB	(1) 4M x 36	(1) 2M x 36	(1) 2M x 36	None
32MB	(1) 4M x 36	(1) 4M x 36	None	None
32MB	(1) 2M x 36	(1) 2M x 36	(1) 2M x 36	(1) 2M x 36
36MB	(1) 8M x 36	(1) 1M x 36	None	None
40MB	(1) 8M x 36	(1) 1M x 36	(1) 1M x 36	None
40MB	(1) 8M x 36	(1) 2M x 36	None	None

Continued on next page. . .

TRENTON TECHNOLOGY, INC.
TR-486DX

... continued from previous page

SIMM CONFIGURATION (CON'T)				
Size	Bank 0	Bank 1	Bank 2	Bank 3
40MB	(1) 4M x 36	(1) 2M x 36	(1) 2M x 36	(1) 2M x 36
44MB	(1) 8M x 36	(1) 1M x 36	(1) 1M x 36	(1) 1M x 36
48MB	(1) 8M x 36	(1) 2M x 36	(1) 2M x 36	None
48MB	(1) 8M x 36	(1) 4M x 36	None	None
48MB	(1) 4M x 36	(1) 4M x 36	(1) 4M x 36	None
56MB	(1) 8M x 36	(1) 2M x 36	(1) 2M x 36	(1) 2M x 36
64MB	(1) 8M x 36	(1) 4M x 36	(1) 4M x 36	None
64MB	(1) 8M x 36	(1) 8M x 36	None	None
64MB	(1) 4M x 36	(1) 4M x 36	(1) 4M x 36	(1) 4M x 36
72MB	(1) 2M x 36	(1) 8M x 36	(1) 8M x 36	None
80MB	(1) 8M x 36	(1) 4M x 36	(1) 4M x 36	(1) 4M x 36
96MB	(1) 8M x 36	(1) 8M x 36	(1) 8M x 36	None
112MB	(1) 8M x 36	(1) 8M x 36	(1) 8M x 36	(1) 4M x 36
128MB	(1) 8M x 36	(1) 8M x 36	(1) 8M x 36	(1) 8M x 36

CACHE CONFIGURATION	
Size	Bank 0
256KB	(8) 32K x 8
Note: Bank 0 is factory installed and is not configurable.	

CPU TYPE SELECTION	
Type	JU10
80486SX	Pins 2 & 3 closed
All other CPU types	Pins 1 & 2 closed

CPU TYPE SELECTION	
Type	JU11
S-series CPU	Pins 2 & 3 closed
Non S-series CPU	Pins 1 & 2 closed

CPU TYPE SELECTION	
Type	JU13
Non ODP CPU	Closed
ODP CPU	Open

CPU TYPE SELECTION	
Type	JU14
P24D	Closed
P24T	Closed
All other CPU types	Open

Continued on next page...

... continued from previous page

CPU MULTIPLIER SELECTION	
Multiplier	JU12
2x	Pins 2 & 3 closed
2.5x	Pins 1 & 2 closed
3x	Open

DMA CHANNEL SELECTION		
Channel	JU103	JU104
3	Pins 7 & 8 closed	Pins 7 & 8 closed
5	Pins 5 & 6 closed	Pins 5 & 6 closed
6	Pins 3 & 4 closed	Pins 3 & 4 closed
7	Pins 1 & 2 closed	Pins 1 & 2 closed

SERIAL PORT 1 INTERRUPT SELECTION	
IRQ	JU100
í IRQ4	Pins 2 & 3 closed
IRQ3	Pins 1 & 2 closed

SERIAL PORT 2 INTERRUPT SELECTION	
IRQ	JU101
í IRQ3	Pins 1 & 2 closed
IRQ4	Pins 2 & 3 closed

PARALLEL PORT INTERRUPT SELECTION	
IRQ	JU102
í IRQ7	Pins 1 & 2 closed
IRQ5	Pins 2 & 3 closed