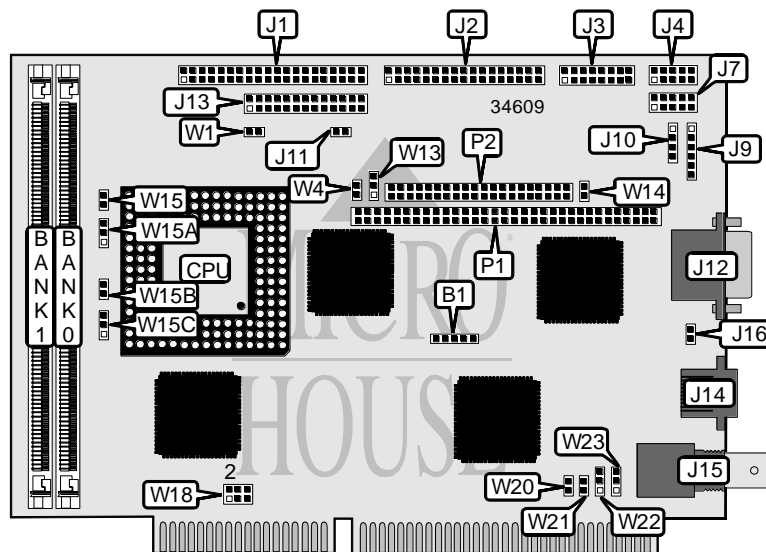


# TEKNOR INDUSTRIAL COMPUTERS, INC.

## VIPER 808

<b>Processor</b>	80486DX/SGS486DX2V/AM486DX2SV/80486DX2/SGS486DX4V/ AM486DX4SV/80486DX4/AM X5
<b>Processor Speed</b>	25/33/66(internal)/100(internal)/133(internal)MHz
<b>Chip Set</b>	Pico Power
<b>Video Chip Set</b>	Unidentified
<b>Maximum Onboard Memory</b>	128MB
<b>Maximum Video Memory</b>	1MB
<b>Cache</b>	Unidentified
<b>BIOS</b>	AMI
<b>Dimensions</b>	Unidentified
<b>I/O Options</b>	Ethernet 10Base2 connector, Ethernet 10BaseT connector, floppy drive interface, green PC connector, IDE interface, parallel port, PS/2 mouse interface, serial ports (2), VGA port, PC/104 interfaces (2)
<b>NPU Options</b>	None



CONNECTIONS			
Purpose	Location	Purpose	Location
External battery	B1	Chassis fan power	J11
IDE interface	J1	VGA port	J12
Floppy drive interface	J2	Parallel port	J13
Keyboard, speaker, reset, LED	J3	Ethernet 10BaseT connector	J14
Serial port 2	J4	Ethernet 10Base2 connector	J15
Serial port 1	J7	Green PC connector	J16
Power connector	J9	PC/104 connectors	P1 & P2
PS/2 mouse interface	J10		

Continued on next page . . .

TEKNOR INDUSTRIAL COMPUTERS, INC.  
VIPER 808

... continued from previous page

USER CONFIGURABLE SETTINGS		
Function	Label	Position
í On board video enabled	W4	Closed
On board video disabled	W4	Open
í VGA select ready	W13	Pins 1 & 2 closed
VGA select local ready	W13	Pins 2 & 3 closed
í IOCHRDY signal to IDE interface disabled	W14	Open
IOCHRDY signal to IDE interface enabled	W14	Closed
í Watchdog timer enabled	W20	Closed
Watchdog timer disabled	W20	Open
í Power fail monitoring disabled	W21	Open
Power fail monitoring enabled	W21	Closed
í Battery type select internal	W22	Pins 1 & 2 closed
Battery type select external	W22	Pins 2 & 3 closed
í Power failure detection source external power fail (pin 6 on J9)	W23	Pins 1 & 2 closed
Power failure detection source internal/external battery <3v	W23	Pins 2 & 3 closed

SIMM CONFIGURATION		
Size	Bank 0	Bank 1
1MB	(1) 256K x 36	None
2MB	(1) 256K x 36	(1) 256K x 36
3MB	(1) 512K x 36	(1) 256K x 36
4MB	(1) 1M x 36	None
4MB	(1) 512K x 36	(1) 512K x 36
8MB	(1) 2M x 36	None
8MB	(1) 1M x 36	(1) 1M x 36
12MB	(1) 2M x 36	(1) 1M x 36
16MB	(1) 4M x 36	None
16MB	(1) 2M x 36	(1) 2M x 36
32MB	(1) 8M x 36	None
48MB	(1) 8M x 36	(1) 4M x 36
64MB	(1) 8M x 36	(1) 8M x 36
64MB	(1) 16M x 36	None
128MB	(1) 16M x 36	(1) 16M x 36

Note: Memory installed in Banks 0 & 1 is interchangeable.

VIDEO MEMORY CONFIGURATION
Note: 512KB/1MB video memory is factory installed and is not configurable.

Continued on next page. . .

TEKNOR INDUSTRIAL COMPUTERS, INC.  
VIPER 808

... continued from previous page

CPU SPEED SELECTION	
Speed	W18
25MHz	Pins 3 & 4 closed
33MHz	Pins 1 & 2 closed
66iMHz	Pins 1 & 2 closed
100iMHz	Pins 1 & 2 closed
133iMHz	Pins 1 & 2 closed

CPU TYPE SELECTION				
Type	W15	W15A	W15B	W15C
80486DX	Open	1 & 2	Open	1 & 2
SGS486DX2V 2x (WB)	Closed	2 & 3	Closed	2 & 3
SGS486DX2V 2x (WT)	Closed	1 & 2	Open	1 & 2
AM486DX2SV 2x (WB)	Closed	2 & 3	Closed	2 & 3
AM486DX2SV 2x (WT)	Closed	1 & 2	Open	1 & 2
80486DX2	Open	1 & 2	Open	1 & 2
SGS486DX4V 3x (WB)	Open	2 & 3	Closed	2 & 3
SGS486DX4V 3x (WT)	Open	1 & 2	Open	1 & 2
AM486DX4SV 2x (WB)	Closed	2 & 3	Closed	2 & 3
AM486DX4SV 2x (WT)	Closed	1 & 2	Open	1 & 2
AM486DX4SV 3x (WB)	Open	2 & 3	Closed	2 & 3
AM486DX4SV 3x (WT)	Open	1 & 2	Open	1 & 2
80486DX4 2x (WB)	Closed	2 & 3	Closed	2 & 3
80486DX4 2x (WT)	Closed	1 & 2	Open	1 & 2
80486DX4 3x (WB)	Open	2 & 3	Closed	2 & 3
80486DX4 3x (WT)	Open	1 & 2	Open	1 & 2
AM X5-133 3x (WB)	Open	2 & 3	Closed	2 & 3
AM X5-133 3x (WT)	Open	1 & 2	Open	1 & 2
AM X5-133 4x (WB)	Closed	2 & 3	Closed	2 & 3
AM X5-133 4x (WT)	Closed	1 & 2	Open	1 & 2

Note: Pins designated should be in the closed position.

CPU VOLTAGE SELECTION	
Voltage	W1
3.3v	Open
5v	Closed