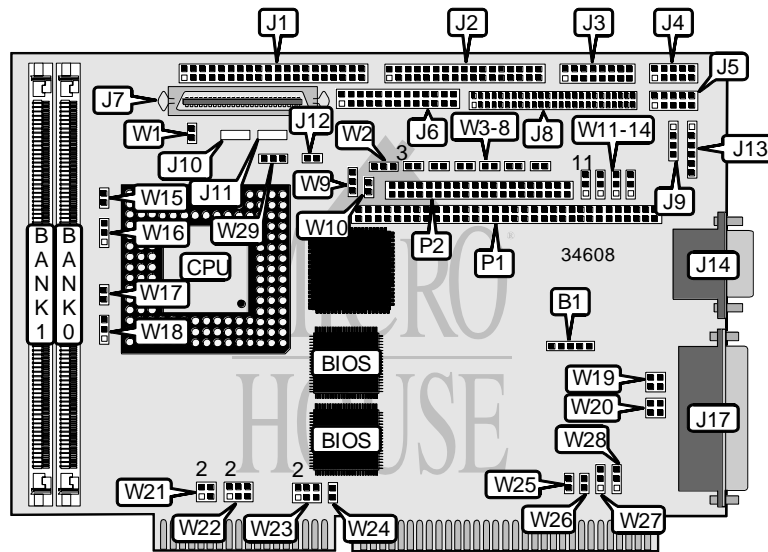


TEKNOR INDUSTRIAL COMPUTERS, INC.

VIPER 807

Processor	80486DX/SGS486DX2V/AM486DX2SV/80486DX2/SGS486DX4V/ AM486DX4SV/80486DX4/AM X5
Processor Speed	25/33/40/50(internal)/66(internal)/75(internal)/100(internal)/ 133(internal)MHz
Chip Set	Pico Power
Video Chip Set	Cirrus Logic
Maximum Onboard Memory	64MB
Maximum Video Memory	1MB
Cache	None
BIOS	AMI
Dimensions	Unidentified
I/O Options	Floppy drive interface, green PC connector, IDE interface, SCSI interface, parallel port, PS/2 mouse interface, serial ports (2), VGA feature connector, VGA port, flat panel connector
NPU Options	None



CONNECTIONS			
Purpose	Location	Purpose	Location
External battery	B1	PS/2 mouse interface	J9
IDE interface	J1	SCSI interface LED	J10
Floppy drive interface	J2	Green PC connector	J11
Keyboard, speaker, reset, LED	J3	Chassis fan power	J12
Serial port 2	J4	Power connector - external	J13
Serial port 1	J5	VGA port	J14
VGA feature connector	J6	Parallel port	J17
SCSI interface	J7	PC/104 connectors	P1 & P2
Flat panel connector	J8		

Continued on next page. . .

TEKNOR INDUSTRIAL COMPUTERS, INC.
VIPER 807

... continued from previous page

USER CONFIGURABLE SETTINGS		
Function	Label	Position
í VGA select ready	W9	Pins 1 & 2 closed
VGA select local ready	W9	Pins 2 & 3 closed
í IOCHRDY signal to IDE interface disabled	W10	Open
IOCHRDY signal to IDE interface enabled	W10	Closed
í BIOS boot select normal boot	W24	Open
BIOS boot select emergency boot	W24	Closed
í Watchdog timer enabled	W25	Closed
Watchdog timer disabled	W25	Open
í Power fail monitoring disabled	W26	Open
Power fail monitoring enabled	W26	Closed
í Battery type select internal	W27	Pins 1 & 2 closed
Battery type select external	W27	Pins 2 & 3 closed
í Power failure detection source external power fail (pin 6 on J9)	W28	Pins 1 & 2 closed
Power failure detection source internal/external battery <3v	W28	Pins 2 & 3 closed
í Flat panel voltage select 5v	W29	Pins 1 & 2 closed
Flat panel voltage select 3.3v	W29	Pins 2 & 3 closed

SIMM CONFIGURATION		
Size	Bank 0	Bank 1
1MB	(1) 256K x 36	None
2MB	(1) 256K x 36	(1) 256K x 36
3MB	(1) 512K x 36	(1) 256K x 36
4MB	(1) 1M x 36	None
4MB	(1) 512K x 36	(1) 512K x 36
8MB	(1) 2M x 36	None
8MB	(1) 1M x 36	(1) 1M x 36
12MB	(1) 2M x 36	(1) 1M x 36
16MB	(1) 4M x 36	None
16MB	(1) 2M x 36	(1) 2M x 36
32MB	(1) 8M x 36	None
48MB	(1) 8M x 36	(1) 4M x 36
64MB	(1) 8M x 36	(1) 8M x 36

Note: Memory installed in Banks 0 & 1 is interchangeable.

VIDEO MEMORY CONFIGURATION
Note: 1MB video memory is factory installed and is not configurable.

Continued on next page. . .

TEKNOR INDUSTRIAL COMPUTERS, INC.
VIPER 807

... continued from previous page

CPU SPEED SELECTION		
Speed	W3	W23
25MHz	Open	Pins 3 & 4 closed
33MHz	Open	Pins 1 & 2 closed
40MHz	Closed	Open
50iMHz	Open	Pins 3 & 4 closed
66iMHz	Open	Pins 1 & 2 closed
75iMHz	Open	Pins 3 & 4 closed
100iMHz	Open	Pins 1 & 2 closed
133iMHz	Open	Pins 1 & 2 closed

CPU TYPE SELECTION				
Type	W15	W16	W17	W18
80486DX	Open	Pins 1 & 2 closed	Open	Pins 1 & 2 closed
SGS486DX2V 2x (WB)	Closed	Pins 2 & 3 closed	Closed	Pins 2 & 3 closed
SGS486DX2V 2x (WT)	Closed	Pins 1 & 2 closed	Open	Pins 1 & 2 closed
AM486DX2SV 2x (WB)	Closed	Pins 2 & 3 closed	Closed	Pins 2 & 3 closed
AM486DX2SV 2x (WT)	Closed	Pins 1 & 2 closed	Open	Pins 1 & 2 closed
80486DX2	Open	Pins 1 & 2 closed	Open	Pins 1 & 2 closed
SGS486DX4V 3x (WB)	Open	Pins 2 & 3 closed	Closed	Pins 2 & 3 closed
SGS486DX4V 3x (WT)	Open	Pins 1 & 2 closed	Open	Pins 1 & 2 closed
AM486DX4SV 2x (WB)	Closed	Pins 2 & 3 closed	Closed	Pins 2 & 3 closed
AM486DX4SV 2x (WT)	Closed	Pins 1 & 2 closed	Open	Pins 1 & 2 closed
AM486DX4SV 3x (WB)	Open	Pins 2 & 3 closed	Closed	Pins 2 & 3 closed
AM486DX4SV 3x (WT)	Open	Pins 1 & 2 closed	Open	Pins 1 & 2 closed
80486DX4 2x (WB)	Closed	Pins 2 & 3 closed	Closed	Pins 2 & 3 closed
80486DX4 2x (WT)	Closed	Pins 1 & 2 closed	Open	Pins 1 & 2 closed
80486DX4 3x (WB)	Open	Pins 2 & 3 closed	Closed	Pins 2 & 3 closed
80486DX4 3x (WT)	Open	Pins 1 & 2 closed	Open	Pins 1 & 2 closed
AM X5-133 3x (WB)	Open	Pins 2 & 3 closed	Closed	Pins 2 & 3 closed
AM X5-133 3x (WT)	Open	Pins 1 & 2 closed	Open	Pins 1 & 2 closed
AM X5-133 4x (WB)	Closed	Pins 2 & 3 closed	Closed	Pins 2 & 3 closed
AM X5-133 4x (WT)	Closed	Pins 1 & 2 closed	Open	Pins 1 & 2 closed

CPU VOLTAGE SELECTION	
Voltage	W1
3.3v	Open
5v	Closed

Continued on next page...

TEKNOR INDUSTRIAL COMPUTERS, INC.
VIPER 807

... continued from previous page

SERIAL PORT 2 LOOPBACK SELECTION		
Setting	W7	W8
í Normal	Open	Open
Loopback	Closed	Closed

SERIAL PORT 2 SELECTION					
Setting	W6	W11	W12	W13	W14
í RS-232	Open	1 & 2	1 & 2	1 & 2	1 & 2
RS-485	Closed	2 & 3	2 & 3	2 & 3	2 & 3

FLOPPY DRIVE EDOUT SELECTION	
Setting	W20
í Left to software	Open
Ground to pin 17 on J2	Pins 2 & 4 closed
Ground to pin 29 on J2	Pins 3 & 4 closed
EDOUT to pin 29 on J2	Pins 1 & 3 closed
EDOUT to pin 17 on J2	Pins 1 & 2 closed

FLOPPY DRIVE HDOUT SELECTION	
Setting	W19
í Left to software	Open
Ground to pin 27 on J2	Pins 2 & 4 closed
Ground to pin 33 on J2	Pins 3 & 4 closed
HDOUT to pin 33 on J2	Pins 1 & 3 closed
HDOUT to pin 27 on J2	Pins 1 & 2 closed

BASE I/O SELECTION	
Address	W21
í 190H	Pins 1 & 2, 3 & 4 closed
290H	Pins 1 & 2 closed
390H	Pins 3 & 4 closed
390H	Open

EXTENDED BIOS MODE SELECTION	
Setting	W22
VT100	Pins 3 & 4 closed
Serial download	Pins 1 & 2 closed
í Standard mode	Pins 3 & 4 closed
í Normal mode	Pins 1 & 2 closed

Continued on next page. . .

TEKNOR INDUSTRIAL COMPUTERS, INC.
VIPER 807

... continued from previous page

FEATURE CONNECTOR SELECTION		
Setting	W4	W5
í Disabled	Closed	Open
Enabled	Open	Closed

TERMINATION SELECTION	
Setting	W2
í Hardware configuration	Pins 1 & 2 closed
Software configuration	Pins 2 & 3 closed
Disabled	Open