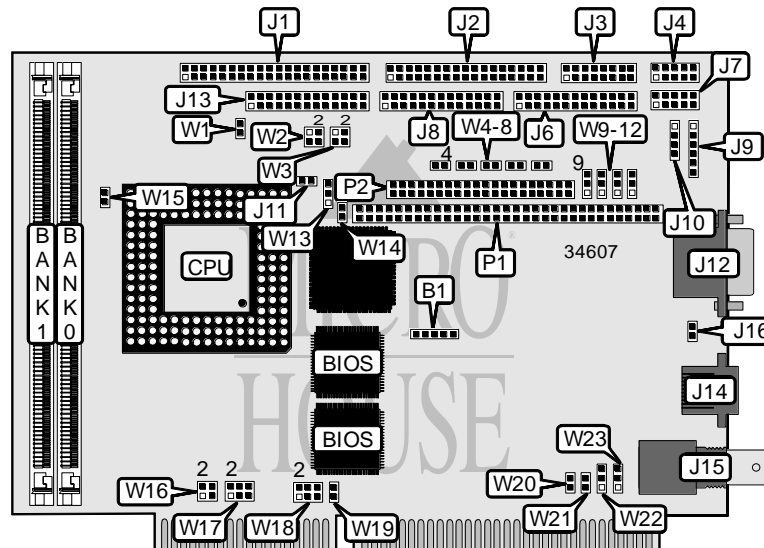


TEKNOR INDUSTRIAL COMPUTERS, INC.

VIPER 806 (VER. 1)

Processor	80486DX/SGS486DX2V/AM486DX2SV/80486DX2/SGS486DX4V/ AM486DX4SV/80486DX4/AM X5-133/CX 5X86/SGS 5X86
Processor Speed	25/33/40/50(internal)/66(internal)/75(internal)/100(internal)/ 133(internal)MHz
Chip Set	Unidentified
Video Chip Set	Unidentified
Maximum Onboard Memory	128MB
Maximum Video Memory	1MB
Cache	Unidentified
BIOS	Unidentified
Dimensions	Unidentified
I/O Options	Ethernet 10Base2 connector, Ethernet 10BaseT connector, floppy drive interface, green PC connector, IDE interface, parallel port, PS/2 mouse interface, serial ports (2), VGA feature connector, VGA port, flat panel connector, PC/104 interface (2)
NPU Options	None



CONNECTIONS			
Purpose	Location	Purpose	Location
External battery	B1	PS/2 mouse interface	J10
IDE interface	J1	Chassis fan power	J11
Floppy drive interface	J2	VGA port	J12
Keyboard, speaker, reset, LED	J3	Parallel port	J13
Serial port 2	J4	Ethernet 10BaseT connector	J14
Flat panel connector	J6	Ethernet 10Base2 connector	J15
Serial port 1	J7	Green PC connector	J16
VGA feature connector	J8	PC/104 connectors	P1 & P2
Power connector - external	J9		

Continued on next page. . .

TEKNOR INDUSTRIAL COMPUTERS, INC.
VIPER 806 (VER. 1)

... continued from previous page

USER CONFIGURABLE SETTINGS		
Function	Label	Position
í VGA select ready	W13	Pins 1 & 2 closed
VGA select local ready	W13	Pins 2 & 3 closed
í IOCHRDY signal to IDE interface disabled	W14	Open
IOCHRDY signal to IDE interface enabled	W14	Closed
í BIOS boot select normal boot	W19	Open
BIOS boot select emergency boot	W19	Closed
í Watchdog timer enabled	W20	Closed
Watchdog timer disabled	W20	Open
í Power fail monitoring disabled	W21	Open
Power fail monitoring enabled	W21	Closed
í Battery type select internal	W22	Pins 1 & 2 closed
Battery type select external	W22	Pins 2 & 3 closed
í Power failure detection source external power fail (pin 6 on J9)	W23	Pins 1 & 2 closed
Power failure detection source internal/external battery <3v	W23	Pins 2 & 3 closed

SIMM CONFIGURATION		
Size	Bank 0	Bank 1
1MB	(1) 256K x 36	None
2MB	(1) 256K x 36	(1) 256K x 36
3MB	(1) 512K x 36	(1) 256K x 36
4MB	(1) 1M x 36	None
4MB	(1) 512K x 36	(1) 512K x 36
8MB	(1) 2M x 36	None
8MB	(1) 1M x 36	(1) 1M x 36
12MB	(1) 2M x 36	(1) 1M x 36
16MB	(1) 4M x 36	None
16MB	(1) 2M x 36	(1) 2M x 36
32MB	(1) 8M x 36	None
48MB	(1) 8M x 36	(1) 4M x 36
48MB	(1) 4M x 36	(1) 8M x 36
64MB	(1) 8M x 36	(1) 8M x 36

Note: Memory installed in Banks 0 & 1 is interchangeable.

VIDEO MEMORY CONFIGURATION
Note: 1MB video memory is factory installed and is not configurable.

Continued on next page...

TEKNOR INDUSTRIAL COMPUTERS, INC.
VIPER 806 (VER. 1)

... continued from previous page

CPU SPEED SELECTION	
Speed	W18
25MHz	Pins 3 & 4 closed
33MHz	Pins 1 & 2 closed
40MHz	Open
50iMHz	Pins 3 & 4 closed
66iMHz	Pins 1 & 2 closed
75iMHz	Pins 3 & 4 closed
100iMHz	Pins 1 & 2 closed
133iMHz	Pins 1 & 2 closed

CPU TYPE SELECTION		
Type	W1	W15
80486DX	Closed	Open
SGS486DX2V 2x (WB)	Open	Closed
SGS486DX2V 2x (WT)	Open	Closed
AM486DX2SV 2x (WB)	Open	Closed
AM486DX2SV 2x (WT)	Open	Closed
80486DX2	Closed	Open
SGS486DX4V 3x (WB)	Open	Open
SGS486DX4V 3x (WT)	Open	Open
AM486DX4SV 2x (WB)	Open	Closed
AM486DX4SV 2x (WT)	Open	Closed
AM486DX4SV 3x (WB)	Open	Open
AM486DX4SV 3x (WT)	Open	Open
80486DX4 2x (WB)	Open	Closed
80486DX4 2x (WT)	Open	Closed
80486DX4 3x (WB)	Open	Open
80486DX4 3x (WT)	Open	Open
AM X5-133 3x (WB)	Open	Open
AM X5-133 3x (WT)	Open	Open
AM X5-133 4x (WB)	Open	Closed
AM X5-133 4x (WT)	Open	Closed
SGS 5X86 (2x)	Open	Closed
SGS 5X86 (3x)	Open	Open
CX 5X86 (2x)	Open	Closed
CX 5X86 (3x)	Open	Open

Continued on next page. ...

TEKNOR INDUSTRIAL COMPUTERS, INC.
VIPER 806 (VER. 1)

... continued from previous page

SERIAL PORT 2 LOOPBACK SELECTION		
Setting	W7	W8
í Normal	Open	Open
Loopback	Closed	Closed

SERIAL PORT 2 SELECTION					
Setting	W6	W9	W10	W11	W12
í RS-232	Open	1 & 2	1 & 2	1 & 2	1 & 2
RS-485	Closed	2 & 3	2 & 3	2 & 3	2 & 3

FLOPPY DRIVE EDOUT SELECTION	
Setting	W3
í Left to software	Open
Ground to pin 17 on J2	Pins 2 & 4 closed
Ground to pin 29 on J2	Pins 3 & 4 closed
EDOUT to pin 29 on J2	Pins 1 & 3 closed
EDOUT to pin 17 on J2	Pins 1 & 2 closed

FLOPPY DRIVE HDOUT SELECTION	
Setting	W2
í Left to software	Open
Ground to pin 27 on J2	Pins 2 & 4 closed
Ground to pin 33 on J2	Pins 3 & 4 closed
HDOUT to pin 33 on J2	Pins 1 & 3 closed
HDOUT to pin 27 on J2	Pins 1 & 2 closed

BASE I/O SELECTION	
Address	W16
í 190H	Pins 1 & 2, 3 & 4 closed
290H	Pins 1 & 2 closed
390H	Pins 3 & 4 closed
390H	Open

EXTENDED BIOS MODE SELECTION	
Setting	W17
VT100	Pins 5 & 6 closed
Serial download	Pins 7 & 8 closed
í Standard mode	Pins 5 & 6 closed
í Normal mode	Pins 7 & 8 closed

FEATURE CONNECTOR SELECTION		
Setting	W4	W5
í Disabled	Closed	Open
Enabled	Open	Closed