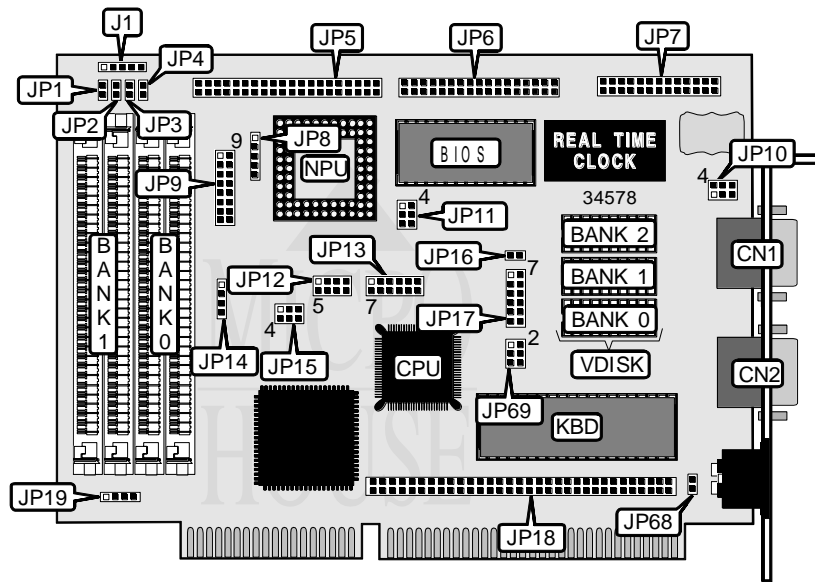


ACQUATEK CORPORATION

PM-1386SX, PM-1486XC

Processor	80386SX/486SLC/486SLC2
Processor Speed	33/40/50MHz
Chip Set	Unidentified
Video Chip Set	None
Maximum Onboard Memory	16MB
Maximum Video Memory	None
Cache	None
BIOS	AMI/Award
Dimensions	Unidentified
I/O Options	Floppy drive interface, IDE interface, parallel port, serial ports (2)
NPU Options	80387SX



CONNECTIONS			
Purpose	Location	Purpose	Location
Serial port 1	CN1	IDE interface	JP5
Serial port 2	CN2	Floppy drive interface	JP6
Power LED & keylock	J1	Parallel port	JP7
Turbo LED	JP1	Speaker	JP14
Turbo switch	JP2	PC bus connector	JP18
Reset switch	JP3	Power connector	JP19
IDE interface LED	JP4		

Continued on next page. . .

ACQUTEK CORPORATION
 P M - I 3 8 6 S X , P M - I 4 8 6 X C

... continued from previous page

USER CONFIGURABLE SETTINGS		
Function	Label	Position
í Parallel port unidirectional	JP11/pins 3 & 6	Open
Parallel port bidirectional	JP11/pins 3 & 6	Closed
í Monitor type select color	JP16	Closed
Monitor type select monochrome	JP16	Open
í Factory configured - do not alter	JP68	Open
í Parity disabled	JP69/pins 1 & 2	Closed
Parity enabled	JP69/pins 1 & 2	Open

SIMM CONFIGURATION		
Size	Bank 0	Bank 1
512KB	(2) 256K x 9	None
1MB	(2) 256K x 9	(2) 256K x 9
2MB	(2) 1M x 9	None
4MB	(2) 1M x 9	(2) 1M x 9
8MB	(2) 4M x 9	None
16MB	(2) 4M x 9	(2) 4M x 9

VDISK CONFIGURATION

Note: Board will accept up to 4MB of virtual disk memory.

VDISK TYPE CONFIGURATION			
Type	JP17/pins 1 & 7	JP17/pins 2 & 8	JP17/pins 3 & 9
í EPROM/Flash	Open	Open	Open
SRAM	Closed	Closed	Closed

VDISK LOGIC DRIVER CONFIGURATION		
Drive	JP17/pins 4 & 10	JP17/pins 5 & 11
í A	Closed	Closed
B	Closed	Open
C	Open	Closed
D	Open	Open

VDISK ADDRESS CONFIGURATION	
Address	JP17/pins 6 & 12
í EA000H – EFFFFH (24KB)	Closed
DA000H – DFFFFH (24KB)	Open

CPU TYPE SELECTION		
Type	JP15	JP69
80386SX	Pins 1 & 2, 4 & 5 closed	Pins 3 & 4, 5 & 6 closed
486SLC	Pins 2 & 3, 5 & 6 closed	Pins 3 & 4 closed
486SLC2	Pins 1 & 2, 5 & 6 closed	Pins 5 & 6 closed

Continued on next page...

ACQUATEK CORPORATION
 PM-1386SX, PM-1486XC

... continued from previous page

PARALLEL PORT ADDRESS SELECTION		
Setting	JP11/pins 1 & 4	JP11/pins 2 & 5
í LPT1 (378h)	Open	Closed
LPT2 (278h)	Closed	Open
LPT3 (3BCh)	Closed	Closed
Disabled	Open	Open

SERIAL PORT 1 ADDRESS SELECTION		
Setting	JP13/pins 1 & 7	JP13/pins 2 & 8
í COM1 (3F8h)	Closed	Open
COM3 (3E8h)	Open	Closed
Disabled	Open	Open

SERIAL PORT 2 ADDRESS SELECTION		
Setting	JP13/pins 3 & 9	JP13/pins 4 & 10
í COM2 (2F8h)	Closed	Open
COM4 (2E8h)	Open	Closed
Disabled	Open	Open

SERIAL PORT 1 INTERRUPT SELECTION			
IRQ	JP9/pins 1 & 9	JP9/pins 2 & 10	JP9/pins 3 & 11
í IRQ3	Open	Closed	Open
IRQ4	Closed	Open	Open
IRQ5	Open	Open	Closed
Disabled	Open	Open	Open

SERIAL PORT 2 INTERRUPT SELECTION			
IRQ	JP9/pins 4 & 13	JP9/pins 5 & 14	JP9/pins 6 & 15
IRQ3	Open	Closed	Open
í IRQ4	Closed	Open	Open
IRQ5	Open	Open	Closed
Disabled	Open	Open	Open

PARALLEL PORT INTERRUPT SELECTION		
IRQ	JP9/pins 7 & 15	JP9/pins 8 & 16
í None	Open	Open
IRQ7	Closed	Open
IRQ5	Open	Closed

FLOPPY DRIVE INTERFACE SELECTION		
Setting	JP12/pins 3 & 7	JP12/pins 4 & 8
í Enabled	Open	Closed
Disabled	Open	Open

Continued on next page. . .

ACQUTEK CORPORATION
 P M - I 3 8 6 S X , P M - I 4 8 6 X C

... continued from previous page

IDE INTERFACE SELECTION		
Setting	JP12/pins 1 & 5	JP12/pins 2 & 6
í Enabled	Open	Closed
Disabled	Open	Open

WATCH DOG TIMER SELECTION			
Setting	JP10/pins 1 & 4	JP10/pins 2 & 5	JP10/pins 3 & 6
í 4 seconds	Closed	Closed	Closed
8 seconds	Closed	Open	Closed
20 seconds	Open	Open	Closed
Disabled	N/A	N/A	Open

TX ENABLE SELECTION		
Setting	JP13/pins 5 & 11	JP13/pins 6 & 12
í Always	Open	Open
RTS = 1	Closed	Open
RTS = 2	Open	Closed