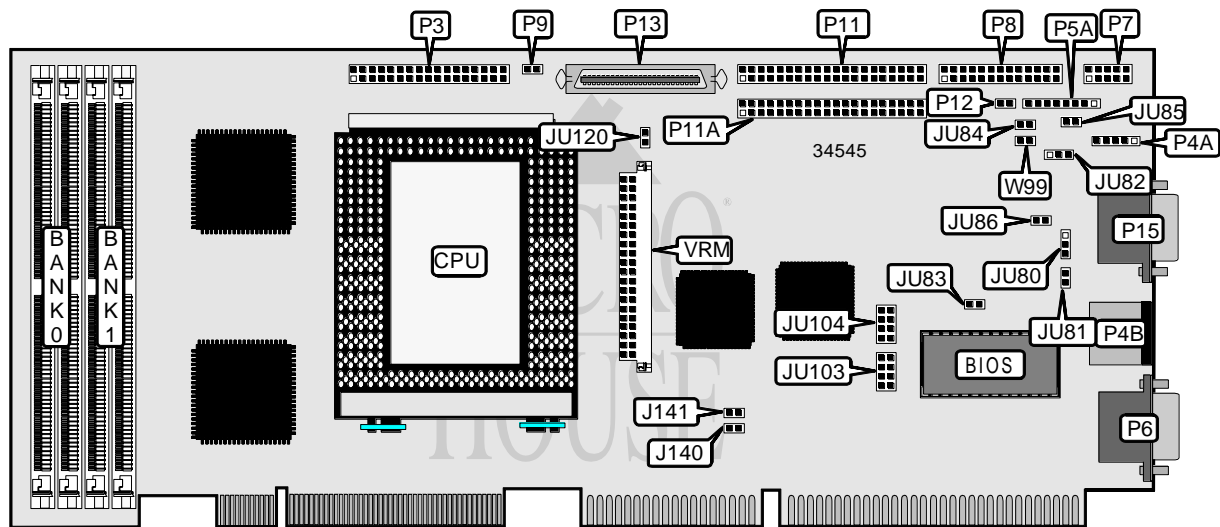


INDUSTRIAL COMPUTER SOURCE

SB686P200, SB686P5200

Processor	Pentium Pro
Processor Speed	200MHz
Chip Set	Intel
Video Chip Set	None
Maximum Onboard Memory	256MB (EDO supported)
Maximum Video Memory	None
Cache	256/512KB (located on Pentium Pro CPU)
BIOS	AMI
Dimensions	Unidentified
I/O Options	Floppy drive interface, IDE interfaces (2), Ultra SCSI interface, parallel port, PS/2 mouse port, PS/2 mouse interface, serial ports (2), VRM connector
NPU Options	None



CONNECTIONS			
Purpose	Location	Purpose	Location
Floppy drive interface	P3	Parallel port	P8
PS/2 mouse interface	P4A	Chassis fan power	P9
PS/2 mouse port	P4B	IDE interface 1	P11
Combo I/O connector (speaker)	P5A/pin 8	IDE interface 2	P11A
Combo I/O connector (reset)	P5A/pin 1	IDE interface LED	P12
Serial port 1	P6	Ultra SCSI interface	P13
Serial port 2	P7	VRM connector	VRM

Continued on next page. . .

INDUSTRIAL COMPUTER SOURCE
 SB686P200, SB686P5200

... continued from previous page

USER CONFIGURABLE SETTINGS		
Function	Label	Position
í Monitor type select color	JU80	Pins 1 & 2 closed
Monitor type select monochrome	JU80	Pins 2 & 3 closed
í Password normal operation	JU81	Open
Password clear	JU81	Closed
í Watchdog timer disabled	JU82	Pins 1 & 2 closed
Watchdog timer enabled	JU82	Pins 2 & 3 closed
í CMOS memory normal operation	JU83	Open
CMOS memory clear	JU83	Closed
í Speaker installed on P5A/pin 8	JU84	Closed
Speaker not installed on P5A/pin 8	JU84	Open
í Reset installed on P5A/pin 1	JU85	Closed
Reset not installed on P5A/pin 1	JU85	Open
í PS/2 mouse IRQ12 enabled	JU86	Closed
PS/2 mouse IRQ12 disabled	JU86	Open
í SCSI termination enabled	JU120	Open
SCSI termination disabled	JU120	Closed

SIMM CONFIGURATION		
Size	Bank 0	Bank 1
8MB	(2) 1M x 36	None
16MB	(2) 2M x 36	None
16MB	(2) 1M x 36	(2) 1M x 36
24MB	(2) 2M x 36	(2) 1M x 36
32MB	(2) 4M x 36	None
32MB	(2) 2M x 36	(2) 2M x 36
40MB	(2) 4M x 36	(2) 1M x 36
48MB	(2) 4M x 36	(2) 2M x 36
64MB	(2) 8M x 36	None
64MB	(2) 4M x 36	(2) 4M x 36
72MB	(2) 8M x 36	(2) 1M x 36
80MB	(2) 8M x 36	(2) 2M x 36
96MB	(2) 8M x 36	(2) 4M x 36
128MB	(2) 8M x 36	(2) 8M x 36
128MB	(2) 16M x 36	None
136MB	(2) 16M x 36	(2) 1M x 36
144MB	(2) 16M x 36	(2) 2M x 36
160MB	(2) 16M x 36	(2) 4M x 36
192MB	(2) 16M x 36	(2) 8M x 36
256MB	(2) 16M x 36	(2) 16M x 36

Note: Board accepts EDO memory.

Continued on next page...

INDUSTRIAL COMPUTER SOURCE

SB686P200, SB686P5200

... continued from previous page

CACHE CONFIGURATION

Note: The SB686P200 has 256KB cache. The SB686P5200 has 512KB cache.

CPU SPEED SELECTION

CPU speed	Clock speed	Multiplier	J140	J141	W99
200MHz	66MHz	3x	Open	Closed	Closed

DMA CHANNEL SELECTION

Channel	JU103	JU104
3	Pins 7 & 8 closed	Pins 7 & 8 closed
5	Pins 5 & 6 closed	Pins 5 & 6 closed
6	Pins 3 & 4 closed	Pins 3 & 4 closed
7	Pins 1 & 2 closed	Pins 1 & 2 closed