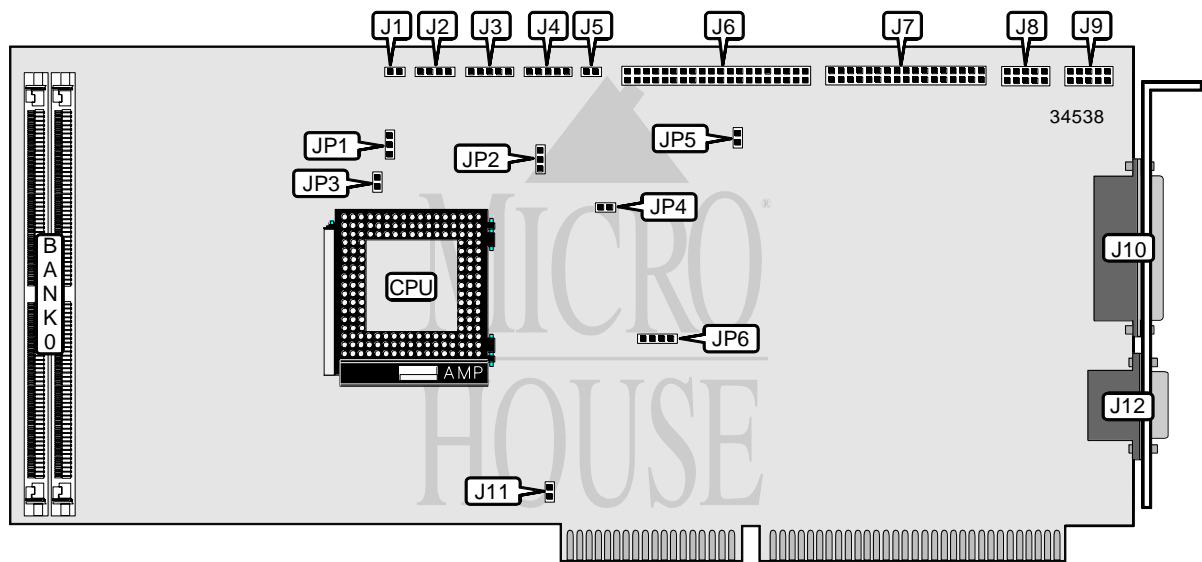


INDUSTRIAL COMPUTER SOURCE

S B 4 8 6 P V

Processor	80486SX/80486DX/80486DX2/80486DX4/P24T
Processor Speed	25/33/50(internal)/63(internal)/66(internal)/75(internal)/83(internal)/100(internal)MHz
Chip Set	Unidentified
Video Chip Set	Cirrus Logic
Maximum Onboard Memory	64MB
Maximum Video Memory	1MB
Cache	128/512KB
BIOS	AMI
Dimensions	Unidentified
I/O Options	Floppy drive interface, IDE interface, parallel port, serial ports (2), VGA port
NPU Options	None



CONNECTIONS			
Purpose	Location	Purpose	Location
IDE interface LED	J1	Floppy drive interface	J7
Speaker	J2	Serial port 2	J8
Power LED & keylock	J3	Serial port 1	J9
Auxiliary keyboard connector	J4	Parallel port	J10
Reset switch	J5	Chassis fan power	J11
IDE interface	J6	VGA port	J12

Continued on next page. . .

INDUSTRIAL COMPUTER SOURCE
S B 4 8 6 P V

... continued from previous page

USER CONFIGURABLE SETTINGS

Function	Label	Position
CMOS memory normal operation	JP4	Open
CMOS memory clear	JP4	Closed
Password normal operation	JP5	Open
Password clear	JP5	Closed

SIMM CONFIGURATION

Size	Bank 0
4MB	(2) 512K x 36
8MB	(2) 1M x 36
16MB	(2) 2M x 36
32MB	(2) 4M x 36
64MB	(2) 8M x 36

CACHE CONFIGURATION

Note: Board accepts 128/256KB. The location and chip sizes are unidentified.

CPU TYPE SELECTION

Type	JP1	JP2	JP3	JP6
8048SX-25	2 & 3	2 & 3	Closed	2 & 3
8048SX-33	1 & 2	2 & 3	Closed	2 & 3
8048DX-25	2 & 3	2 & 3	Closed	1 & 2, 3 & 4
8048DX-33	1 & 2	2 & 3	Closed	1 & 2, 3 & 4
80486DX2-50	2 & 3	2 & 3	Closed	1 & 2, 3 & 4
80486DX2-66	1 & 2	2 & 3	Closed	1 & 2, 3 & 4
80486DX4-75	2 & 3	2 & 3	Closed	1 & 2, 3 & 4
80486DX4-100	1 & 2	2 & 3	Closed	1 & 2, 3 & 4
P24T-63	2 & 3	1 & 2	Open	1 & 2, 3 & 4
P24T-83	1 & 2	1 & 2	Open	1 & 2, 3 & 4

Note: Pins designated should be in the closed position.