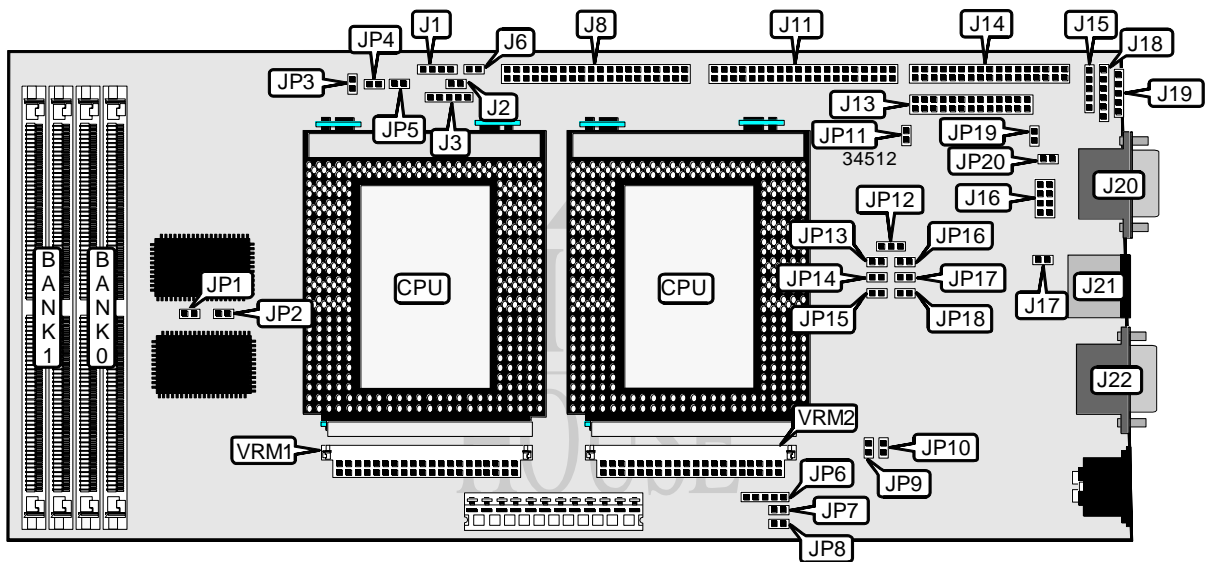


TECHNOLAND, INC.

PEAK 6020

Processor	Pentium Pro
Processor Speed	150/166/180/200MHz
Chip Set	Intel
Video Chip Set	None
Maximum Onboard Memory	512MB (EDO supported)
Maximum Video Memory	None
Cache	256/512KB (located on Pentium Pro CPU)
BIOS	Award
Dimensions	Unidentified
I/O Options	Floppy drive interface, IDE interfaces (2), parallel port, PS/2 mouse port, serial ports (2), IR connector, VRM connectors (2)
NPU Options	None



CONNECTIONS			
Purpose	Location	Purpose	Location
Speaker	J1	Switching Card Mouse connector	J17
IDE interface LED	J2	USB connector	J18
Power LED & keylock	J3	Auxiliary keyboard connector	J19
Reset switch	J6	Serial port 1	J20
IDE interface 2	J8	PS/2 mouse port	J21
IDE interface 1	J11	Serial port 2	J22
Parallel port	J13	Chassis fan power	JP3
Floppy drive interface	J14	Chassis fan power	JP11
Port F3/F4 connector	J15	VRM connector	VRM1
Serial port 3	J16	VRM connector	VRM2

Continued on next page . . .

TECHNOLAND, INC.
PEAK 6020

... continued from previous page

USER CONFIGURABLE SETTINGS		
Function	Label	Position
í BIOS type select EPROM	JP6	Pins 2 & 3 closed
BIOS type select flash	JP6	Pins 1 & 2, 4 & 5 closed
í ISA clock select /4	JP7	Closed
ISA clock select /3	JP7	Open
í Watchdog timer port select Port F2	JP8	Open
Watchdog timer port select Port F6	JP8	Closed
í CMOS memory normal operation	JP9	Open
CMOS memory clear	JP9	Closed
í PS/2 mouse enabled	JP10	Closed
PS/2 mouse disabled	JP10	Open
í SMI host select APIC	JP12	Pins 1 & 2 closed
SMI host select PHX	JP12	Pins 2 & 3 closed
í Factory configured - do not alter	JP13	Unidentified
í SMI source select external	JP16	Open
SMI source select data parity error	JP16	Closed
í On board I/O enabled	JP19	Open
On board I/O disabled	JP19	Closed
í Monitor type select color	JP20	Closed
Monitor type select monochrome	JP20	Open

SIMM CONFIGURATION		
Size	Bank 0	Bank 1
8MB	(2) 1M x 36	None
16MB	(2) 2M x 36	None
16MB	(2) 1M x 36	(2) 1M x 36
24MB	(2) 2M x 36	(2) 1M x 36
32MB	(2) 4M x 36	None
32MB	(2) 2M x 36	(2) 2M x 36
48MB	(2) 4M x 36	(2) 2M x 36
64MB	(2) 8M x 36	None
64MB	(2) 4M x 36	(2) 4M x 36
96MB	(2) 8M x 36	(2) 4M x 36
128MB	(2) 8M x 36	(2) 8M x 36
128MB	(2) 16M x 36	None
192MB	(2) 16M x 36	(2) 8M x 36
256MB	(2) 16M x 36	(2) 16M x 36

Note: Board accepts EDO memory.

CACHE CONFIGURATION
Note: 256KB/512KB cache is located on the Pentium Pro CPU.

Continued on next page...

TECHNOLAND, INC.
PEAK 6020

... continued from previous page

CPU SPEED SELECTION						
CPU speed	Clock speed	Multiplier	JP1	JP2	JP4	JP5
150MHz	60MHz	2.5x	Closed	Open	Open	Closed
166MHz	66MHz	2.5x	Open	Closed	Closed	Open
180MHz	60MHz	3x	Closed	Open	Open	Closed
200MHz	66MHz	3x	Open	Closed	Closed	Open

CPU SPEED SELECTION (CON'T)						
CPU speed	Clock speed	Multiplier	JP14	JP15	JP17	JP18
150MHz	60MHz	2.5x	Closed	Closed	Closed	Closed
166MHz	66MHz	2.5x	Closed	Closed	Open	Closed
180MHz	60MHz	3x	Open	Closed	Closed	Closed
200MHz	66MHz	3x	Open	Closed	Open	Closed