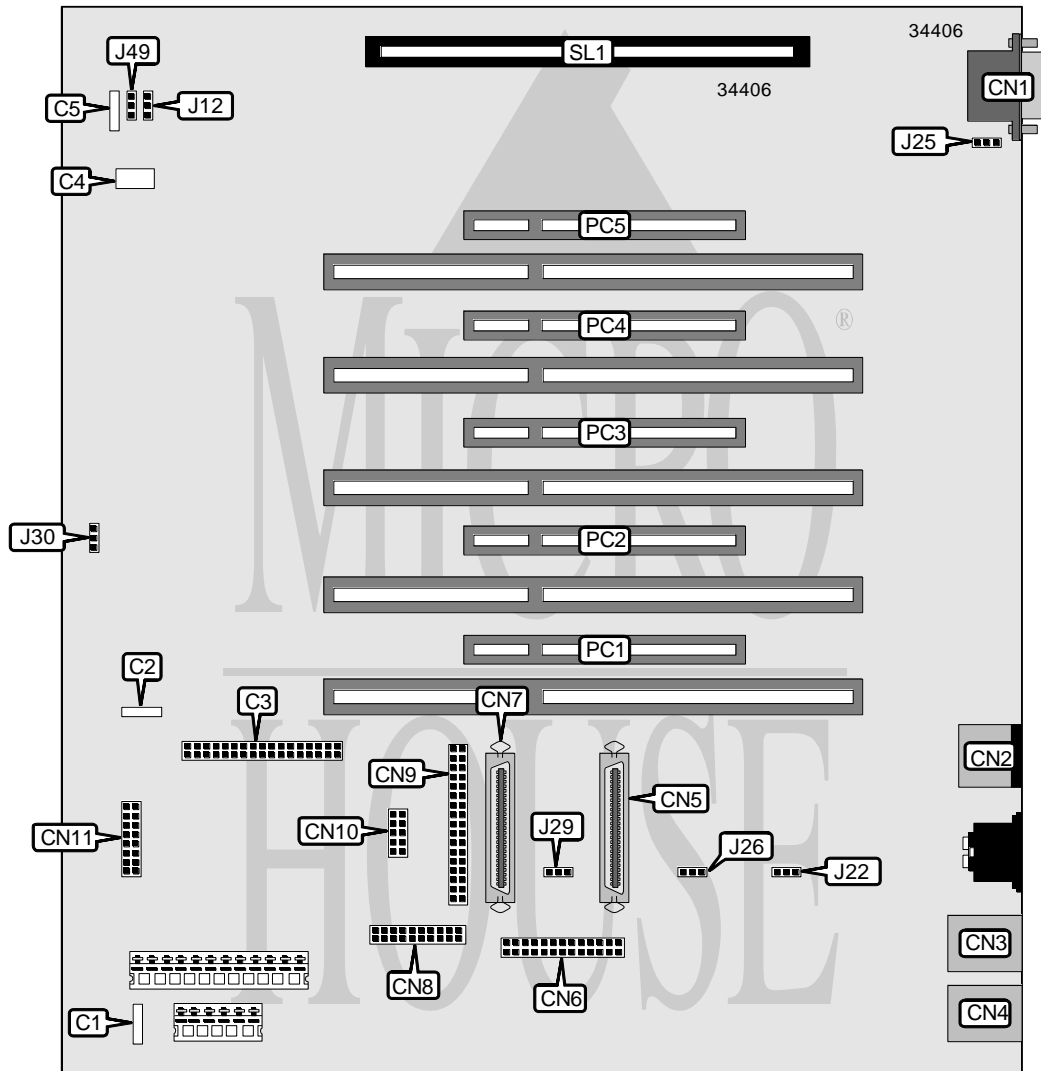


IBM CORPORATION PC SERVER 325 (TYPE 8639)

Processor	Pentium Pro
Processor Speed	166/180/200MHz
Chip Set	Unidentified
Video Chip Set	Unidentified
Maximum Onboard Memory	512MB (EDO supported)
Maximum Video Memory	1MB
Cache	256/512KB (located on Pentium Pro CPU)
BIOS	Unidentified
Dimensions	355mm x 304mm
I/O Options	32-bit PCI slots (5), Ethernet connectors (2), floppy drive interface, Ultra SCSI interfaces (2), parallel port, PS/2 mouse port, serial port, VGA port, IR connector, VRM connectors (2), CPU slot
NPU Options	None



Continued on next page. . .

IBM CORPORATION
PC SERVER 325 (TYPE 8639)

... continued from previous page

CONNECTIONS			
Purpose	Location	Purpose	Location
Chassis fan power	C1	Ultra SCSI interface	CN5
Chassis fan power	C2	Parallel port	CN6
System management connector	C3	Ultra SCSI interface	CN7
C2 security cable connector	C4	Serial port	CN8
Speaker	C5	Floppy drive interface	CN9
VGA port	CN1	IR connector	CN10
PS/2 mouse port	CN2	Front panel connector	CN11
Ethernet connector	CN3	32-bit PCI slots	PC1 – PC5
Ethernet connector	CN4	CPU slot	SL1

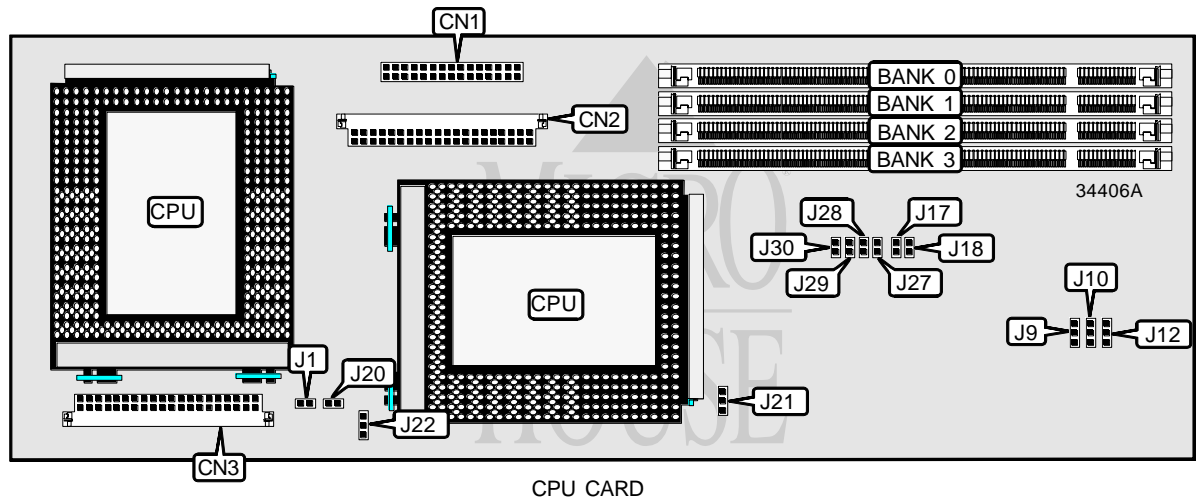
USER CONFIGURABLE SETTINGS		
Function	Label	Position
í Factory configured - do not alter (system password)	J12	Pins 2 & 3 closed
í Ethernet enabled	J22	Pins 2 & 3 closed
Ethernet disabled	J22	Pins 1 & 2 closed
í On board video enabled	J25	Pins 1 & 2 closed
On board video disabled	J25	Pins 2 & 3 closed
í SCSI enabled	J26	Pins 2 & 3 closed
SCSI disabled	J26	Pins 1 & 2 closed
í SCSI type select 16-bit	J29	Pins 2 & 3 closed
SCSI type select 8-bit	J29	Pins 1 & 2 closed
í Flash write enabled	J30	Pins 1 & 2 closed
Flash write disabled	J30	Pins 2 & 3 closed
í System management adapter not installed	J49	Pins 2 & 3 closed
System management adapter installed	J49	Pins 1 & 2 closed

VIDEO MEMORY CONFIGURATION
Note: The location of the video memory is unidentified.

Continued on next page. . .

IBM CORPORATION
PC SERVER 325 (TYPE 8639)

... continued from previous page



CONNECTIONS

Purpose	Location	Purpose	Location
VRM connector 1	CN2	Chassis fan power	J21
VRM connector 2	CN3	Chassis fan power	J22

USER CONFIGURABLE SETTINGS

Function	Label	Position
í Factory configured - do not alter	CN1	Unidentified
í Factory configured - do not alter	J9	Unidentified
í Factory configured - do not alter	J10	Unidentified
í Factory configured - do not alter	J12	Unidentified

DIMM CONFIGURATION

Size	Bank 0	Bank 1	Bank 2	Bank 3
16MB	(1) 2M x 64	None	None	None
32MB	(1) 2M x 64	(1) 2M x 64	None	None
32MB	(1) 4M x 64	None	None	None
48MB	(1) 2M x 64	(1) 2M x 64	(1) 2M x 64	None
64MB	(1) 2M x 64	(1) 2M x 64	(1) 2M x 64	(1) 2M x 64
64MB	(1) 4M x 64	(1) 4M x 64	None	None
64MB	(1) 8M x 64	None	None	None
96MB	(1) 4M x 64	(1) 4M x 64	(1) 4M x 64	None
128MB	(1) 4M x 64	(1) 4M x 64	(1) 4M x 64	(1) 4M x 64
128MB	(1) 8M x 64	(1) 8M x 64	None	None
128MB	(1) 16M x 64	None	None	None
192MB	(1) 8M x 64	(1) 8M x 64	(1) 8M x 64	None
256MB	(1) 8M x 64	(1) 8M x 64	(1) 8M x 64	(1) 8M x 64
256MB	(1) 16M x 64	(1) 16M x 64	None	None
384MB	(1) 16M x 64	(1) 16M x 64	(1) 16M x 64	None
512MB	(1) 16M x 64	(1) 16M x 64	(1) 16M x 64	(1) 16M x 64

Note: Board accepts EDO memory.

Continued on next page. . .

IBM CORPORATION
 PC SERVER 325 (TYPE 8639)

... continued from previous page

CACHE CONFIGURATION

Note: 256KB/512KB cache is located on the Pentium Pro CPU.

CPU SPEED SELECTION

CPU speed	Clock speed	Multiplier	J1	J17	J18	J20
166MHz	66MHz	2.5x	Closed	Open	Closed	Open
180MHz	60MHz	3x	Open	Closed	Open	Closed
200MHz	66MHz	3x	Closed	Open	Closed	Open

CPU SPEED SELECTION (CON'T)

CPU speed	Clock speed	Multiplier	J27	J28	J29	J30
166MHz	66MHz	2.5x	Closed	Open	Closed	Closed
180MHz	60MHz	3x	Closed	Closed	Open	Closed
200MHz	66MHz	3x	Closed	Closed	Open	Closed