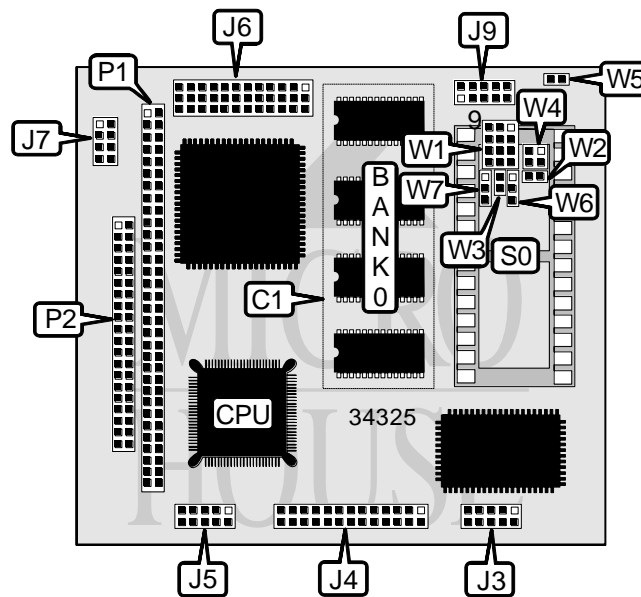


# AMPRO COMPUTERS, INC.

## CORE MODULE/386-II

<b>Processor</b>	80386SX
<b>Processor Speed</b>	25MHz
<b>Chip Set</b>	Headland
<b>Video Chip Set</b>	None
<b>Maximum Onboard Memory</b>	16MB
<b>Maximum Video Memory</b>	None
<b>Cache</b>	None
<b>BIOS</b>	Award
<b>Dimensions</b>	96mm x 90mm
<b>I/O Options</b>	Parallel port, serial ports (2), PC/104 connectors (2), NPU connector
<b>NPU Options</b>	80387SX



CONNECTIONS			
Purpose	Location	Purpose	Location
Serial port 1	J3	DC power	J7
Parallel port	J4	Serial port 2	J9
Utility connector	J5	PC/104 connector	P1
NPU connector	J6	PC/104 connector	P2

*Continued on next page. . .*

AMPRO COMPUTERS, INC.  
CORE MODULE/386-II

... continued from previous page

USER CONFIGURABLE SETTINGS		
Function	Label	Position
í Factory configured - do not alter	W4	Unidentified
í Factory configured - do not alter	W5	Unidentified
í Factory configured - do not alter	W6	Unidentified

DRAM CONFIGURATION		
Size	Bank 0	CN1
2MB	2MB	Not installed
4MB	2MB	2MB module installed

Note: Bank 0 is factory installed and is not configurable. The 8MB & 16MB versions are available through special order.

BIOS SELECTION INSTALLED IN S0 (EPROM)		
Type	W1	W2
27C64	6 & 7, 8 & 12	Open
27C128	6 & 7, 8 & 12	Open
28C64	6 & 7, 8 & 12	Open
27011	6 & 7, 8 & 12	Open
27513	6 & 7, 8 & 12	Open
27C256	6 & 10, 7 & 11, 8 & 12	Open
27C512	9 & 10, 7 & 11, 8 & 12	Open
27C010	2 & 3, 4 & 8, 7 & 11, 9 & 10	Open
27C020	2 & 3, 4 & 8, 5 & 6, 7 & 11, 9 & 10	Open
27C040	1 & 5, 2 & 3, 4 & 8, 7 & 11, 9 & 10	Open
27C080	1 & 5, 4 & 8, 7 & 11, 9 & 10	Closed
29C256	6 & 10, 7 & 11, 8 & 12	Open
28C256	6 & 7, 8 & 12, 10 & 11	Open
27F010	2 & 3, 5 & 6, 7 & 11, 9 & 10	Open
28F010	2 & 3, 5 & 6, 7 & 11, 9 & 10	Open
28F512	2 & 3, 5 & 6, 7 & 11, 9 & 10	Open
48F010	2 & 3, 5 & 6, 7 & 11, 9 & 10	Open
48F512	2 & 3, 5 & 6, 7 & 11, 9 & 10	Open
58F1000	2 & 3, 5 & 6, 7 & 11, 9 & 10	Open
28F020	2 & 3, 4 & 8, 5 & 6, 7 & 11, 9 & 10	Open

Note: Pins designated should be in the closed position.

Continued on next page. . .

AMPRO COMPUTERS, INC.  
CORE MODULE/386-II

... continued from previous page

BIOS SELECTION INSTALLED IN S0 (EPROM, CON'T)		
Type	W3	W7
27C64	Open	Pins 1 & 2 closed
27C128	Open	Pins 1 & 2 closed
28C64	Open	Pins 1 & 2 closed
27011	Open	Pins 1 & 2 closed
27513	Open	Pins 1 & 2 closed
27C256	Open	Pins 1 & 2 closed
27C512	Open	Pins 1 & 2 closed
27C010	Open	Pins 1 & 2 closed
27C020	Open	Pins 1 & 2 closed
27C040	Open	Pins 1 & 2 closed
27C080	Open	Pins 1 & 2 closed
29C256	Open	Pins 1 & 2 closed
28C256	Open	Pins 1 & 2 closed
27F010	Open	Pins 1 & 2 closed
28F010	Open	Pins 1 & 2 closed
28F512	Open	Pins 1 & 2 closed
48F010	Open	Pins 1 & 2 closed
48F512	Open	Pins 1 & 2 closed
58F1000	Open	Pins 1 & 2 closed
28F020	Open	Pins 1 & 2 closed

BIOS SELECTION INSTALLED IN S0 (NOVRAM)		
Type	W1	W2
BQ4011Y	6 & 7, 8 & 12, 10 & 11	Open
DS1217	6 & 7, 8 & 12, 10 & 11	Open
DS1235	6 & 7, 8 & 12, 10 & 11	Open
62128	5 & 9, 6 & 7, 8 & 12, 10 & 11	Open
62256	6 & 7, 8 & 12, 10 & 11	Open
62512	1 & 2, 5 & 9, 6 & 7, 10 & 11	Open
BQ4015Y	1 & 2, 4 & 8, 5 & 9, 6 & 7, 10 & 12	Open
BQ4013Y	5 & 9, 6 & 7, 8 & 12, 10 & 11	Open
DS1245	5 & 9, 6 & 7, 8 & 12, 10 & 11	Open

Note: Pins designated should be in the closed position.

BIOS SELECTION INSTALLED IN S0 (NOVRAM, CON'T)		
Type	W3	W7
BQ4011Y	Open	Pins 1 & 2 closed
DS1217	Open	Pins 1 & 2 closed
DS1235	Open	Pins 1 & 2 closed
62128	Open	Pins 1 & 2 closed
62256	Open	Pins 1 & 2 closed
62512	Open	Pins 1 & 2 closed
BQ4015Y	Open	Pins 1 & 2 closed
BQ4013Y	Open	Pins 1 & 2 closed
DS1245	Open	Pins 1 & 2 closed