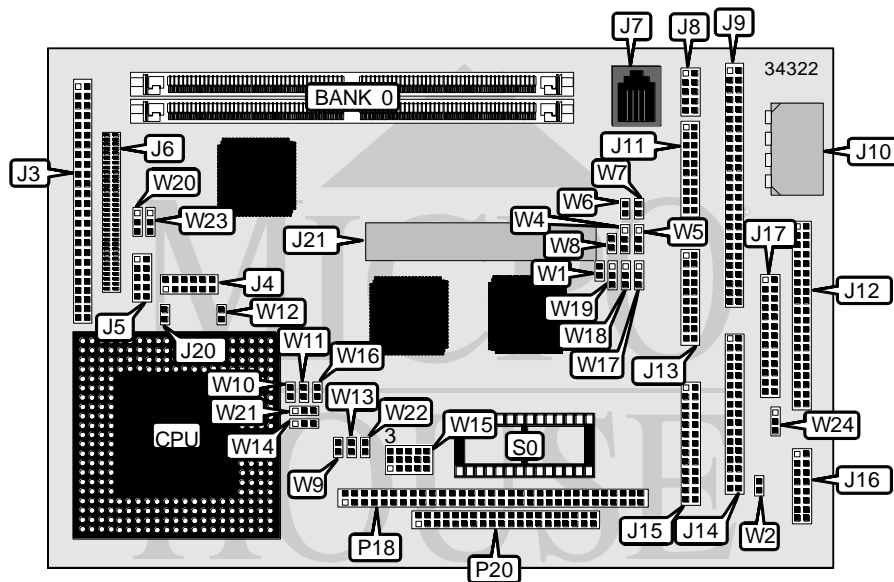


# AMPRO COMPUTERS, INC.

## LITTLE BOARD/P51

<b>Processor</b>	Pentium
<b>Processor Speed</b>	100/133/166MHz
<b>Chip Set</b>	Unidentified
<b>Video Chip Set</b>	Unidentified
<b>Maximum Onboard Memory</b>	128MB (EDO supported)
<b>Maximum Video Memory</b>	1MB
<b>Cache</b>	256KB
<b>BIOS</b>	Award
<b>Dimensions</b>	203mm x 146mm
<b>I/O Options</b>	PCI bus slot, Ethernet 10BaseT connector, AUI connector, floppy drive interface, IDE interface, SCSI interface, parallel port, serial ports (4), VGA interface, VEE power supply, flat panel connector, external video overlay, PC/104 connectors (2)
<b>NPU Options</b>	None



CONNECTIONS			
Purpose	Location	Purpose	Location
Flat panel connector	J3	IDE interface	J12
VEE power supply	J4	Serial port 3 & 4	J13
VGA interface	J5	Floppy drive interface	J14
External video overlay	J6	Parallel port	J15
Ethernet 10BaseT connector	J7	Utility/keyboard connector	J16
AUI connector	J8	IDE extension	J17
SCSI-interface	J9	PCI bus slot	J21
DC power	J10	PC/104 connector	P18
Serial port 1 & 2	J11	PC/104 connector	P20

Note: Alternate external LAN media are , such as 10Base2 are available by means of AUI interface & optional MAUs.

Continued on next page. . .

AMPRO COMPUTERS, INC.  
LITTLE BOARD/P51

... continued from previous page

USER CONFIGURABLE SETTINGS		
Function	Label	Position
í Factory configured - do not alter	J20	Unidentified
Negative vee enabled	W1	Pins 1 & 2 closed
Negative vee disabled	W1	Pins 2 & 3 closed
í Factory configured - do not alter	W8	Unidentified
í Factory configured - do not alter	W9	Unidentified
í Factory configured - do not alter	W10	Unidentified
í Factory configured - do not alter	W11	Unidentified
í Factory configured - do not alter	W12	Unidentified
í Factory configured - do not alter	W13	Unidentified
í Factory configured - do not alter	W14	Unidentified
í Factory configured - do not alter	W16	Unidentified
SCSI interface enabled	W17	Pins 1 & 2 closed
SCSI interface disabled	W17	Pins 2 & 3 closed
í Factory configured - do not alter	W20	Unidentified
í Factory configured - do not alter	W22	Unidentified
í Data valid select high to low transition	W23	Pins 1 & 2 closed
Data valid select low to high transition	W23	Pins 2 & 3 closed
Watch dog timer select IOCHK	W24	Pins 1 & 2 closed
Watch dog timer select RESET	W24	Pins 2 & 3 closed
Watch dog timer disabled	W24	Open

DRAM CONFIGURATION	
Size	Bank 0
8MB	(2) 1M x 36
16MB	(2) 2M x 36
32MB	(2) 4M x 36
64MB	(2) 8M x 36
128MB	(2) 16M x 36

Note: Board accepts EDO memory. Board also accepts x 32 SIMMs.

CACHE CONFIGURATION
Note: The location of the 256KB cache is unidentified.

VIDEO MEMORY CONFIGURATION
Note: The location of the 512KB/1MB video memory is unidentified.

Continued on next page. . .

AMPRO COMPUTERS, INC.  
LITTLE BOARD/P51

... continued from previous page

DMA CHANNEL SELECTION		
Channel	W18	W19
1	Pins 1 & 2 closed	Pins 1 & 2 closed
3	Pins 2 & 3 closed	Pins 2 & 3 closed

SERIAL PORT 1 INTERRUPT SELECTION		
IRQ	W4	W6
IRQ4 shared with serial 1	Pins 1 & 2 closed	Open
IRQ4 not shared	Pins 2 & 3 closed	Closed

SERIAL PORT 2 INTERRUPT SELECTION		
IRQ	W5	W7
IRQ3 shared with serial 2	Pins 1 & 2 closed	Open
IRQ3 not shared	Pins 2 & 3 closed	Closed

BIOS SELECTION (EPROM)			
Type	W2	W15	W21
27C64	Open	2 & 5, 7 & 8, 9 & 12, 10 & 11	1 & 2
27C128	Open	2 & 5, 7 & 8, 9 & 12, 10 & 11	1 & 2
27C256	Open	9 & 12, 14 & 15	1 & 2
27C512	Open	9 & 12, 10 & 11, 14 & 15	1 & 2
27C010	Open	2 & 5, 7 & 8, 9 & 12, 10 & 11	1 & 2
27C020	Open	2 & 5, 7 & 8, 9 & 12, 10 & 11, 13 & 14	1 & 2
27C040	Open	2 & 5, 4 & 7, 9 & 12, 10 & 11, 13 & 14	1 & 2
27C080	Open	4 & 7, 5 & 6, 9 & 12, 10 & 11, 13 & 14	1 & 2
28C64	Open	2 & 5, 7 & 8, 9 & 12, 10 & 11	1 & 2

Note: Pins designated should be in the closed position.

BIOS SELECTION (FLASH BIOS)			
Type	W2	W15	W21
29C256	Open	8 & 11, 9 & 12, 14 & 15	1 & 2
28C256	Open	8 & 9, 11 & 12, 14 & 15	1 & 2
29F512	Open	4 & 5, 7 & 8, 9 & 12, 10 & 11, 13 & 14	1 & 2
29F010	Open	4 & 5, 7 & 8, 9 & 12, 10 & 11, 13 & 14	1 & 2
29F020	Open	4 & 5, 7 & 8, 9 & 12, 10 & 11, 13 & 14	1 & 2
29F040	Open	4 & 5, 7 & 8, 9 & 12, 10 & 11, 13 & 14	1 & 2
28F512	Open	2 & 5, 7 & 8, 9 & 12, 10 & 11, 13 & 14	1 & 2
28F010	Open	2 & 5, 7 & 8, 9 & 12, 10 & 11, 13 & 14	1 & 2
28F020	Open	2 & 5, 7 & 8, 9 & 12, 10 & 11, 13 & 14	1 & 2

Note: Pins designated should be in the closed position.

Continued on next page. . .

AMPRO COMPUTERS, INC.  
LITTLE BOARD/P51

... continued from previous page

BIOS SELECTION (SRAM & NOVDRAM)			
Type	W2	W15	W21
BQ4013Y	Closed	7 & 10, 8 & 9, 11 & 12, 14 & 15	2 & 3
BQ4015Y	Closed	4 & 5, 7 & 10, 8 & 9, 11 & 12, 13 & 14	2 & 3
43256	Closed	7 & 10, 8 & 9, 11 & 12, 14 & 15	2 & 3
DS1235Y	Closed	7 & 10, 8 & 9, 11 & 12, 14 & 15	2 & 3
DS1650Y	Closed	4 & 5, 7 & 10, 8 & 9, 11 & 12, 13 & 14	2 & 3
628128	Closed	7 & 10, 8 & 9, 11 & 12, 14 & 15	2 & 3
628512	Closed	4 & 5, 7 & 10, 8 & 9, 11 & 12, 13 & 14	2 & 3
Note: Pins designated should be in the closed position.			