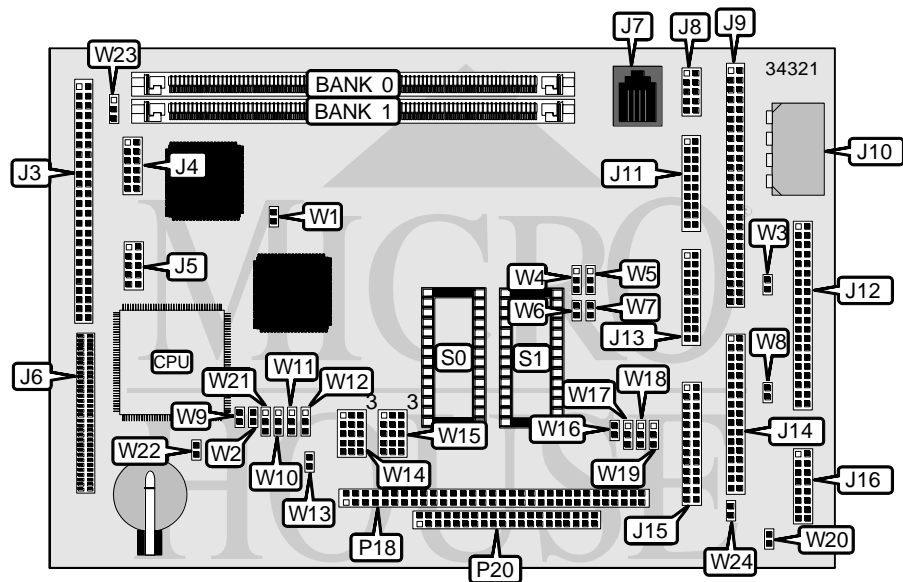


# AMPRO COMPUTERS, INC. LITTLE BOARD/486I

<b>Processor</b>	80486DX2/80486DX4
<b>Processor Speed</b>	50(internal)/100(internal)MHz
<b>Chip Set</b>	OPTI
<b>Video Chip Set</b>	Unidentified
<b>Maximum Onboard Memory</b>	64MB
<b>Maximum Video Memory</b>	1MB
<b>Cache</b>	None
<b>BIOS</b>	Award
<b>Dimensions</b>	203mm x 146mm
<b>I/O Options</b>	Ethernet 10BaseT connector, AUI connector, floppy drive interface, IDE interface, SCSI-II interface, parallel port, serial ports (4), VGA interface, flat panel connector, external video overlay, LCD bias supply, PC/104 connectors (2), utility/keyboard connector
<b>NPU Options</b>	None



CONNECTIONS			
Purpose	Location	Purpose	Location
Flat panel connector	J3	Serial port 1 & 2	J11
LCD bias supply	J4	IDE interface	J12
VGA interface	J5	Serial port 3 & 4	J13
External video overlay	J6	Floppy drive interface	J14
Ethernet 10BaseT connector	J7	Parallel port	J15
AUI connector	J8	Utility/keyboard connector	J16
SCSI-II interface	J9	PC/104 connector	P18
DC power	J10	PC/104 connector	P20

Note: Alternate external LAN media are available by means of AUI interface & optional MAUs.

*Continued on next page. . .*

AMPRO COMPUTERS, INC.  
LITTLE BOARD/486I

... continued from previous page

USER CONFIGURABLE SETTINGS		
Function	Label	Position
Negative vee enabled	W1	Pins 1 & 2 closed
Negative vee disabled	W1	Pins 2 & 3 closed
í Factory configured - do not alter	W3	Unidentified
í Factory configured - do not alter	W8	Unidentified
í Factory configured - do not alter	W9	Unidentified
í Factory configured - do not alter	W10	Unidentified
í Factory configured - do not alter	W11	Unidentified
í Factory configured - do not alter	W12	Unidentified
í Factory configured - do not alter	W13	Unidentified
í Factory configured - do not alter	W16	Unidentified
Watch dog timer select IOCHK	W17	Pins 1 & 2 closed
Watch dog timer select RESET	W17	Pins 2 & 3 closed
í Factory configured - do not alter	W20	Unidentified
í Factory configured - do not alter	W22	Unidentified
Low shift clock enabled	W23	Pins 1 & 2 closed
High shift clock enabled	W23	Pins 2 & 3 closed
í Factory configured - do not alter	W24	Unidentified

DRAM CONFIGURATION		
Size	Bank 0	Bank 1
1MB	(1) 256K x 32	None
2MB	(1) 512K x 32	None
2MB	(1) 256K x 32	(1) 256K x 32
4MB	(1) 1M x 32	None
4MB	(1) 512K x 32	(1) 512K x 32
8MB	(1) 2M x 32	None
8MB	(1) 1M x 32	(1) 1M x 32
12MB	(1) 2M x 32	(1) 1M x 32
16MB	(1) 4M x 32	None
17MB	(1) 4M x 32	(1) 256K x 32
18MB	(1) 4M x 32	(1) 512K x 32
20MB	(1) 4M x 32	(1) 1M x 32
24MB	(1) 4M x 32	(1) 2M x 32
32MB	(1) 8M x 32	None
32MB	(1) 8M x 32	(1) 4M x 32
34MB	(1) 8M x 32	(1) 512K x 32
36MB	(1) 8M x 32	(1) 1M x 32
40MB	(1) 8M x 32	(1) 2M x 32
48MB	(1) 8M x 32	(1) 4M x 32
64MB	(1) 8M x 32	(1) 8M x 32

VIDEO MEMORY CONFIGURATION
Note: The location of the 512KB/1MB video memory is unidentified.

Continued on next page. . .

AMPRO COMPUTERS, INC.  
LITTLE BOARD/486I

... continued from previous page

DMA CHANNEL SELECTION		
Channel	W18	W19
1	Pins 1 & 2 closed	Pins 1 & 2 closed
3	Pins 2 & 3 closed	Pins 2 & 3 closed

SERIAL PORT 1 INTERRUPT SELECTION		
IRQ	W4	W6
IRQ4 shared with serial 1	Pins 1 & 2 closed	Open
IRQ4 not shared	Pins 2 & 3 closed	Closed

SERIAL PORT 2 INTERRUPT SELECTION		
IRQ	W5	W7
IRQ3 shared with serial 2	Pins 1 & 2 closed	Open
IRQ3 not shared	Pins 2 & 3 closed	Closed

BIOS SELECTION IN S0 & S1 (EPROM)				
Type	W2	W14	W15	W21
27C64	Open	2 & 5, 7 & 8, 9 & 12, 10 & 11	2 & 5, 7 & 8, 9 & 12, 10 & 11	2 & 3
27C128	Open	2 & 5, 7 & 8, 9 & 12, 10 & 11	2 & 5, 7 & 8, 9 & 12, 10 & 11	2 & 3
27C256	Open	9 & 12, 14 & 15	9 & 12, 14 & 15	2 & 3
27C512	Open	9 & 12, 10 & 11, 14 & 15	9 & 12, 10 & 11, 14 & 15	2 & 3
27C010	Open	9 & 12, 10 & 11	9 & 12, 10 & 11	2 & 3
27C020	Open	2 & 5, 7 & 8, 9 & 12, 10 & 11	2 & 5, 7 & 8, 9 & 12, 10 & 11	2 & 3
27C040	Open	2 & 5, 4 & 7, 9 & 12, 10 & 11, 13 & 14	2 & 5, 4 & 7, 9 & 12, 10 & 11, 13 & 14	2 & 3
27C080	Open	4 & 7, 5 & 6, 9 & 12, 10 & 11, 13 & 14	4 & 7, 5 & 6, 9 & 12, 10 & 11, 13 & 14	2 & 3
28C64	Open	2 & 5, 7 & 8, 9 & 12, 10 & 11	2 & 5, 7 & 8, 9 & 12, 10 & 11	2 & 3

Note: Pins designated should be in the closed position. W14 controls S0 & W15 controls S1.

Continued on next page. . .

AMPRO COMPUTERS, INC.  
LITTLE BOARD/486I

... continued from previous page

BIOS SELECTION IN S0 & S1 (FLASH BIOS)				
Type	W2	W14	W15	W21
29C256	Open	8 & 11, 9 & 12, 14 & 15	8 & 11, 9 & 12, 14 & 15	2 & 3
28C256	Open	8 & 9, 11 & 12, 14 & 15	8 & 9, 11 & 12, 14 & 15	2 & 3
29F512	Open	4 & 5, 7 & 8, 9 & 12, 10 & 11, 13 & 14	4 & 5, 7 & 8, 9 & 12, 10 & 11, 13 & 14	2 & 3
29F010	Open	4 & 5, 7 & 8, 9 & 12, 10 & 11, 13 & 14	4 & 5, 7 & 8, 9 & 12, 10 & 11, 13 & 14	2 & 3
29F020	Open	4 & 5, 7 & 8, 9 & 12, 10 & 11, 13 & 14	4 & 5, 7 & 8, 9 & 12, 10 & 11, 13 & 14	2 & 3
29F040	Open	4 & 5, 7 & 8, 9 & 12, 10 & 11, 13 & 14	4 & 5, 7 & 8, 9 & 12, 10 & 11, 13 & 14	2 & 3
28F512	Open	2 & 5, 7 & 8, 9 & 12, 10 & 11, 13 & 14	2 & 5, 7 & 8, 9 & 12, 10 & 11, 13 & 14	2 & 3
28F010	Open	2 & 5, 7 & 8, 9 & 12, 10 & 11, 13 & 14	2 & 5, 7 & 8, 9 & 12, 10 & 11, 13 & 14	2 & 3
28F020	Open	2 & 5, 7 & 8, 9 & 12, 10 & 11, 13 & 14	2 & 5, 7 & 8, 9 & 12, 10 & 11, 13 & 14	2 & 3

Note: Pins designated should be in the closed position. W14 controls S0 & W15 controls S1.

Continued on next page. ...

AMPRO COMPUTERS, INC.  
LITTLE BOARD/486I

... continued from previous page

BIOS SELECTION IN S0 & S1 (SRAM & NOVRAM)				
Type	W2	W14	W15	W21
BQ4013Y	Open	7 & 10, 8 & 9, 11 & 12, 14 & 15	7 & 10, 8 & 9, 11 & 12, 14 & 15	2 & 3
BQ4015Y	Open	4 & 5, 7 & 10, 8 & 9, 11 & 12, 13 & 14	4 & 5, 7 & 10, 8 & 9, 11 & 12, 13 & 14	2 & 3
42356	Open	7 & 10, 8 & 9, 11 & 12, 14 & 15	7 & 10, 8 & 9, 11 & 12, 14 & 15	2 & 3
DS1235Y	Open	7 & 10, 8 & 9, 11 & 12, 14 & 15	7 & 10, 8 & 9, 11 & 12, 14 & 15	2 & 3
DS1650Y	Open	4 & 5, 7 & 10, 8 & 9, 11 & 12, 13 & 14	4 & 5, 7 & 10, 8 & 9, 11 & 12, 13 & 14	2 & 3
628128	Open	7 & 10, 8 & 9, 11 & 12, 14 & 15	7 & 10, 8 & 9, 11 & 12, 14 & 15	2 & 3
628512	Open	4 & 5, 7 & 10, 8 & 9, 11 & 12, 13 & 14	4 & 5, 7 & 10, 8 & 9, 11 & 12, 13 & 14	2 & 3
Note: Pins designated should be in the closed position. W14 controls S0 & W15 controls S1.				