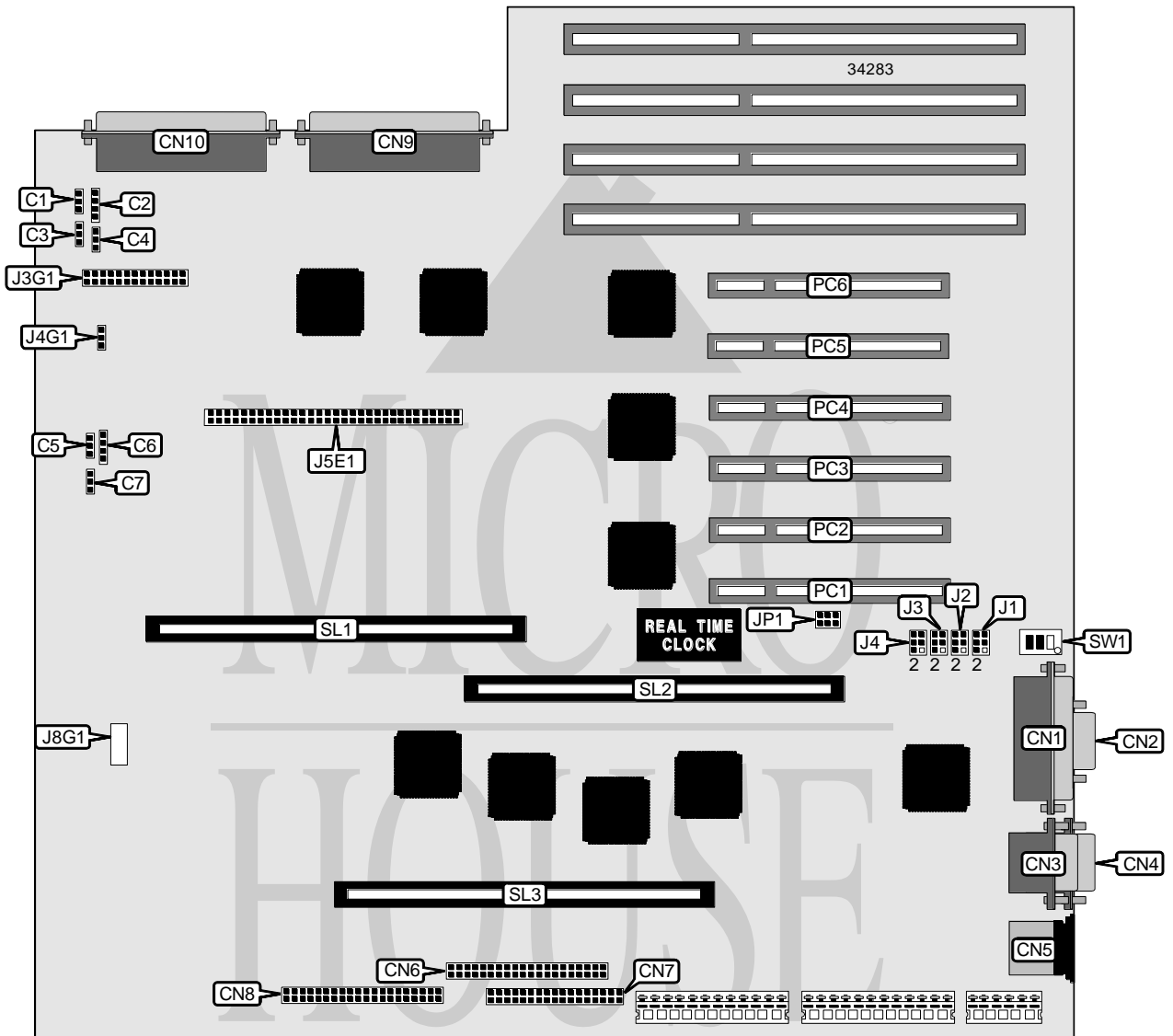


DELL COMPUTER CORPORATION POWEREDGE 4100, 6100

Processor	Pentium Pro
Processor Speed	200MHz
Chip Set	Intel
Video Chip Set	Cirrus Logic
Maximum Onboard Memory	2GB (EDO supported)
Maximum Video Memory	1MB
Cache	512KB (located on Pentium Pro CPU)
BIOS	AMI
Dimensions	355mm x 304mm
I/O Options	External memory card, 32-bit PCI slots (6), floppy drive interface, IDE interface, Ultra-Wide SCSI ports (2), parallel port, PS/2 mouse port, serial ports (2), VGA feature connector, VGA port, CPU slots (2), Server Management connector
NPU Options	None



Continued on next page . . .

DELL COMPUTER CORPORATION
POWEREDGE 4100, 6100

... continued from previous page

CONNECTIONS			
Purpose	Location	Purpose	Location
Chassis fan power 4	C1	PS/2 mouse port	CN5
IDE interface LED 2	C2	IDE interface	CN6
Chassis fan power 3	C3	Floppy drive interface	CN7
I2C connector	C4	Front panel connector	CN8
Chassis fan power 2	C5	Ultra-Wide SCSI port 2	CN9
IDE interface LED 1	C6	Ultra-Wide SCSI port 1	CN10
Chassis fan power 1	C7	Server Management connector	J3G1
Parallel port	CN1	32-bit PCI slots	PC1 – PC6
VGA port	CN2	CPU slot 1	SL1
Serial port	CN3	CPU slot 2	SL2
Serial port	CN4	External memory card	SL3

USER CONFIGURABLE SETTINGS		
Function	Label	Position
í Flash BIOS normal operation	J1	Pins 1 & 3 closed
Flash BIOS recovery mode	J1	Pins 3 & 5 closed
í Factory configured - do not alter	J1	Pins 2 & 4 closed
í Flash BIOS write protect disabled	J2	Pins 3 & 5 closed
Flash BIOS write protect enabled	J2	Pins 1 & 3 closed
Floppy drive 0 enabled	J2	Pins 2 & 4 closed
Floppy drive 0 disabled	J2	Pins 4 & 6 closed
Floppy drive 1 enabled	J3	Pins 1 & 3 closed
Floppy drive 1 disabled	J3	Pins 3 & 5 closed
í Video sleep register select 03C3H	J3	Pins 2 & 4 closed
Video sleep register select 46E8H	J3	Pins 4 & 6 closed
í RTC power supply enabled	J4	Pins 1 & 3 closed
RTC power supply disabled	J4	Pins 3 & 5 closed
í Factory configured - do not alter	J4	Pins 2, 4, 6 open
í Factory configured - do not alter	J4G1	Unidentified
í Factory configured - do not alter	J5E1	Unidentified
í Factory configured - do not alter	J8G1	Unidentified
í Factory configured - do not alter	JP1	Unidentified
í CMOS memory normal operation	SW1/1	Off
CMOS memory clear	SW1/1	On
í Password normal operation	SW1/2	Off
Password clear	SW1/2	On
í Factory configured - do not alter	SW1/3	Off

Continued on next page. . .

DELL COMPUTER CORPORATION
POWEREDGE 4100, 6100

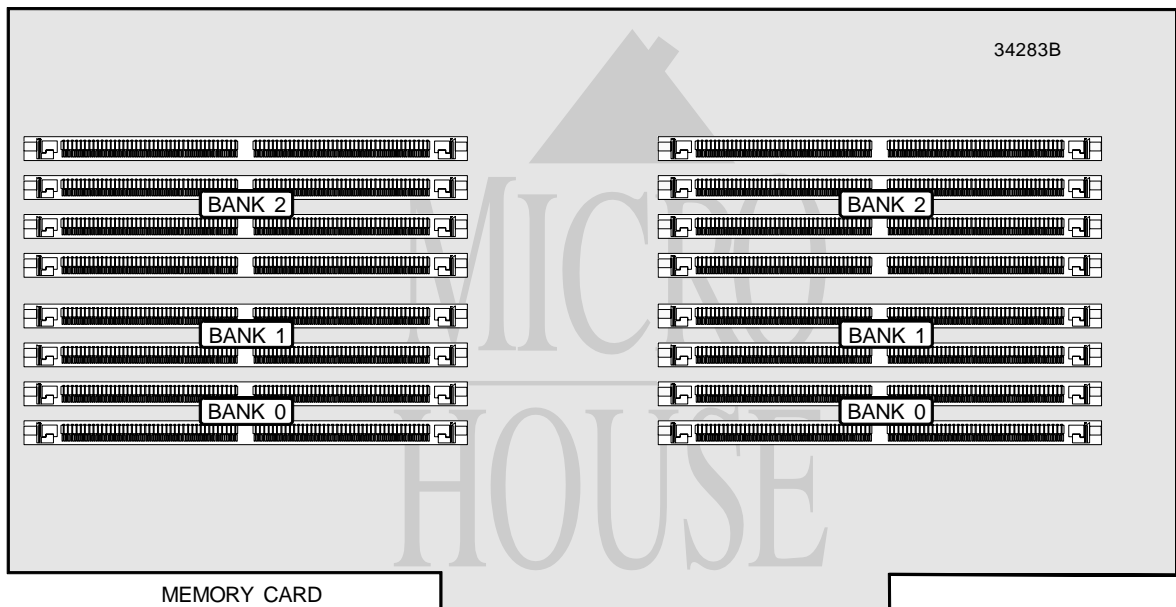
... continued from previous page

CACHE CONFIGURATION

Note: 512KB cache is located on the Pentium Pro CPU.

VIDEO MEMORY CONFIGURATION

Note: Board is factory installed with 1MB video memory and is not configurable.



DRAM CONFIGURATION

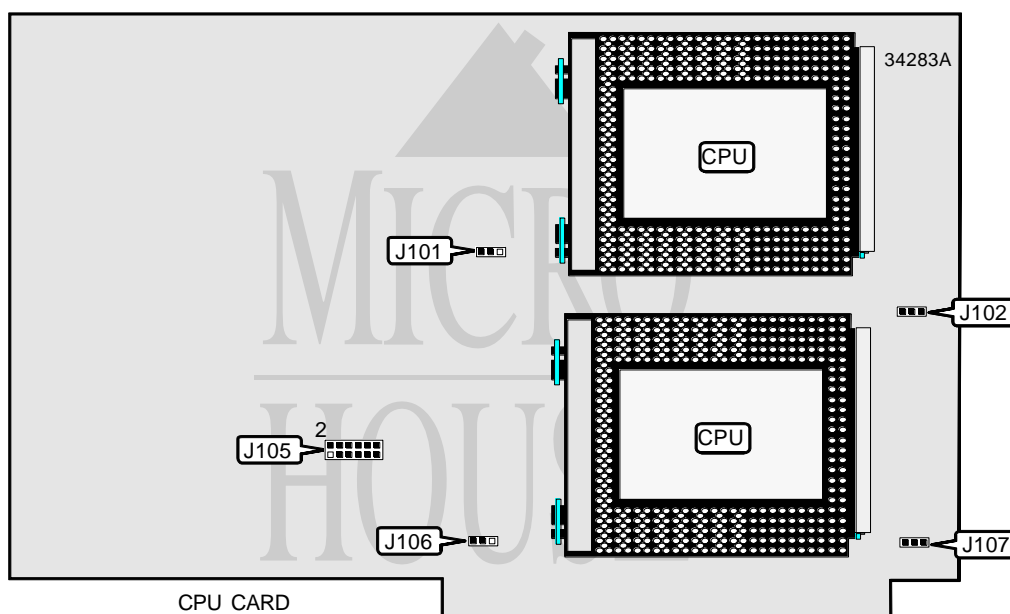
Size	Bank 0	Bank 1	Bank 2	Bank 3
64MB	(4) 4M x 36	None	None	None
128MB	(4) 8M x 36	None	None	None
128MB	(4) 4M x 36	(4) 4M x 36	None	None
256MB	(4) 16M x 36	None	None	None
256MB	(4) 8M x 36	(4) 8M x 36	None	None
256MB	(4) 4M x 36	(4) 4M x 36	(4) 4M x 36	(4) 4M x 36
384MB	(4) 8M x 36	(4) 8M x 36	(4) 4M x 36	(4) 4M x 36
512MB	(4) 32M x 36	None	None	None
512MB	(4) 16M x 36	(4) 16M x 36	None	None
512MB	(4) 8M x 36	(4) 8M x 36	(4) 8M x 36	(4) 8M x 36
640MB	(4) 16M x 36	(4) 16M x 36	(4) 4M x 36	(4) 4M x 36
768MB	(4) 16M x 36	(4) 16M x 36	(4) 8M x 36	(4) 8M x 36
1024MB	(4) 32M x 36	(4) 32M x 36	None	None

Continued on next page...

DELL COMPUTER CORPORATION
 POWEREDGE 4100, 6100

... continued from previous page

DRAM CONFIGURATION (CON'T)				
Size	Bank 0	Bank 1	Bank 2	Bank 3
1024MB	(4) 16M x 36	(4) 16M x 36	(4) 16M x 36	(4) 16M x 36
1152MB	(4) 32M x 36	(4) 32M x 36	(4) 4M x 36	(4) 4M x 36
1280MB	(4) 32M x 36	(4) 32M x 36	(4) 8M x 36	(4) 8M x 36
1536MB	(4) 32M x 36	(4) 32M x 36	(4) 16M x 36	(4) 16M x 36
2048MB	(4) 32M x 36	(4) 32M x 36	(4) 32M x 36	(4) 32M x 36



USER CONFIGURABLE SETTINGS		
Function	Label	Position
CPU installed in top socket	J101	Pins 2 & 3 closed
CPU not installed in top socket	J101	Pins 1 & 2 closed
í Factory configured - do not alter	J102	Unidentified
CPU installed in bottom socket	J106	Pins 2 & 3 closed
CPU not installed in bottom socket	J106	Pins 1 & 2 closed
í Factory configured - do not alter	J107	Unidentified

CPU SPEED SELECTION			
CPU speed	Clock speed	Multiplier	J105
200MHz	66MHz	3x	Pins 1 & 2, 5 & 6, 7 & 8 closed