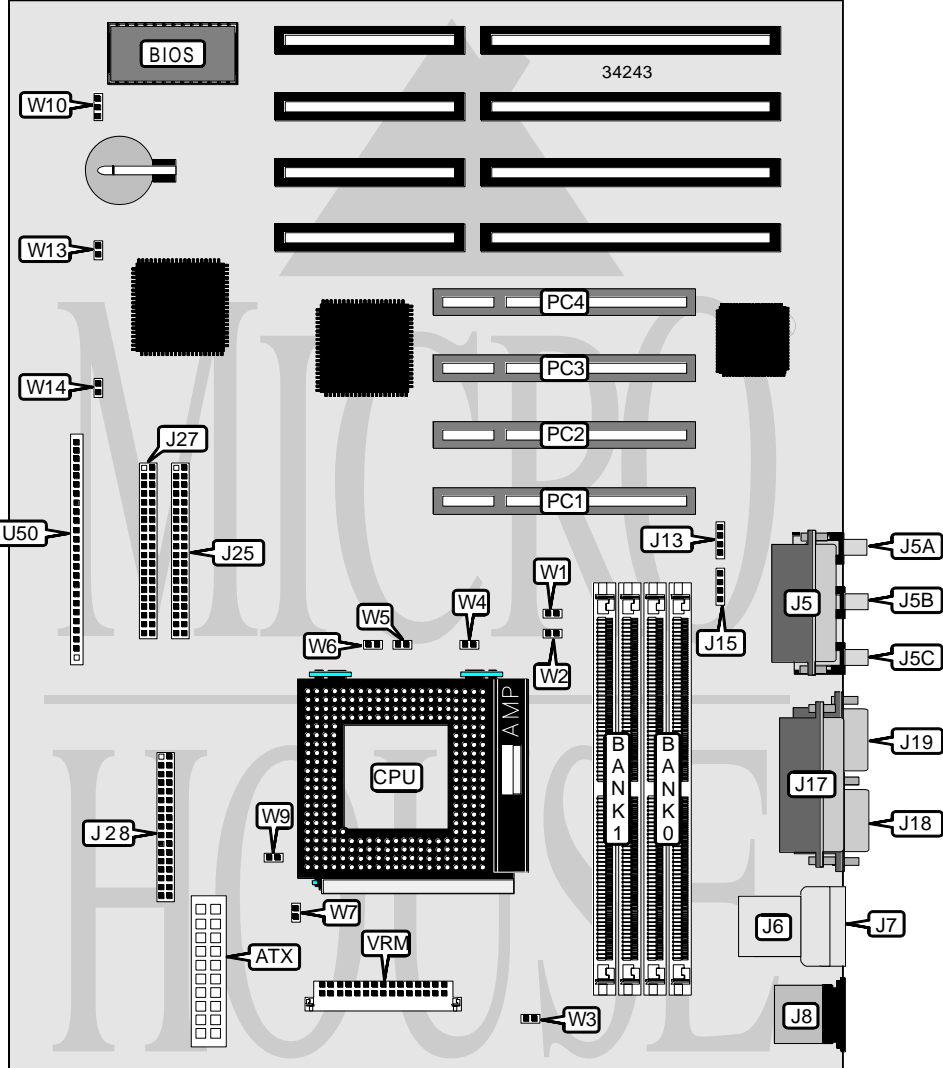


MICRONICS COMPUTERS, INC.

M 7 S - H I

Processor	AM K5/AM K6/Pentium
Processor Speed	75/90/100/120/133/150/166/200MHz
Chip Set	Intel
Video Chip Set	None
Maximum Onboard Memory	256MB (EDO supported)
Maximum Video Memory	None
Cache	256/512KB
BIOS	Phoenix
Dimensions	305mm x 244mm
I/O Options	32-bit PCI slots (4), CD-ROM audio in connector, floppy drive interface, game port, green PC connector, IDE interfaces (2), parallel port, PS/2 mouse port, serial ports (2), IR connector, VRM connector, USB connectors (2), ATX power connector, microphone in connector, line in connector, line out connector, telephony connector, wavetable connector
NPU Options	None



Continued on next page . . .

MICRONICS COMPUTERS, INC.
M7S - H I

... continued from previous page

CONNECTIONS			
Purpose	Location	Purpose	Location
ATX power connector	ATX	IDE interface 2	J25
Game port	J5	IDE interface 1	J27
Microphone in connector	J5A	Floppy drive interface	J28
Line in connector	J5B	32-bit PCI slots	PC1 – PC4
Line out connector	J5C	Soft off power supply	U50/pins 1 & 2
USB connector 1	J6	Green PC connector	U50/pins 3 & 4
USB connector 2	J7	IR connector	U50/pins 6 - 11
PS/2 mouse port	J8	IDE interface LED	U50/pins 13 - 16
CD-ROM audio in connector	J13	Power LED	U50/pins 19 - 21
Wavetable connector	J14	Reset switch	U50/pins 22 & 23
Telephony connector	J15	Speaker	U50/pins 24 - 27
Parallel port	J17	VRM connector	VRM
Serial port 2	J18	Chassis fan power	W3
Serial port 1	J19	Chassis fan power	W9

Note: The location of J14 is unidentified.

USER CONFIGURABLE SETTINGS		
Function	Label	Position
í CMOS memory normal operation	W10	Pins 1 & 2 closed
CMOS memory clear	W10	Pins 2 & 3 closed
í Cacheable DRAM range select normal	W12	Open
Cacheable DRAM range select extended	W12	Closed
í AT bus clock select 1/4	W13	Closed
AT bus clock select 1/3	W13	Open
í Soft off power enabled	W14	Open
Soft off power disabled	W14	Closed

Note: The location of J12 is unidentified.

DRAM CONFIGURATION		
Size	Bank 0	Bank 1
8MB	(2) 1M x 36	None
16MB	(2) 2M x 36	None
16MB	(2) 1M x 36	(2) 1M x 36
24MB	(2) 2M x 36	(2) 1M x 36
32MB	(2) 4M x 36	None
32MB	(2) 2M x 36	(2) 2M x 36
40MB	(2) 4M x 36	(2) 1M x 36
48MB	(2) 4M x 36	(2) 2M x 36
64MB	(2) 8M x 36	None

Continued on next page. . .

MICRONICS COMPUTERS, INC.
M7S-HI

... continued from previous page

DRAM CONFIGURATION (CON'T)		
Size	Bank 0	Bank 1
64MB	(2) 4M x 36	(2) 4M x 36
72MB	(2) 8M x 36	(2) 1M x 36
80MB	(2) 8M x 36	(2) 2M x 36
96MB	(2) 8M x 36	(2) 4M x 36
128MB	(2) 8M x 36	(2) 8M x 36
128MB	(2) 16M x 36	None
136MB	(2) 16M x 36	(2) 1M x 36
144MB	(2) 16M x 36	(2) 2M x 36
160MB	(2) 16M x 36	(2) 4M x 36
192MB	(2) 16M x 36	(2) 8M x 36
256MB	(2) 16M x 36	(2) 16M x 36

Note: Board accepts EDO memory.

CACHE CONFIGURATION	
Size	Bank 0
256KB	(2) 32K x 32
512KB	(2) 64K x 32

Note: The location of bank 0 is unidentified.

CPU SPEED SELECTION (AMD)							
CPU speed	Clock speed	Multiplier	W1	W2	W4	W5	W6
75MHz	50MHz	1.5x	N/A	N/A	N/A	Open	Open
90MHz	60MHz	1.5x	Closed	Open	Closed	Open	Open
100MHz	66MHz	1.5x	Open	Closed	Open	Open	Open
120MHz	60MHz	2x	Closed	Open	Closed	Open	Closed
133MHz	66MHz	2x	Open	Closed	Open	Open	Closed
150MHz	60MHz	2.5x	Closed	Open	Closed	Closed	Closed
166MHz	66MHz	2.5x	Open	Closed	Open	Closed	Closed
200MHz	66MHz	3x	Open	Closed	Open	Closed	Open

Note: If an AM K6 processor is installed, a VRM module must be installed. The jumper settings for W1 – W3 with a 75MHZ processor are unidentified.

Continued on next page. . .

MICRONICS COMPUTERS, INC.
M7S-HI

... continued from previous page

CPU SPEED SELECTION (INTEL)							
CPU speed	Clock speed	Multiplier	W1	W2	W4	W5	W6
90MHz	60MHz	1.5x	Closed	Open	Closed	Open	Open
100MHz	66MHz	1.5x	Open	Closed	Open	Open	Open
120MHz	60MHz	2x	Closed	Open	Closed	Open	Closed
133MHz	66MHz	2x	Open	Closed	Open	Open	Closed
150MHz	60MHz	2.5x	Closed	Open	Closed	Closed	Closed
166MHz	66MHz	2.5x	Open	Closed	Open	Closed	Closed
200MHz	66MHz	3x	Open	Closed	Open	Closed	Open

Note: If a MMX processor is installed, a VRM module must be installed.

CPU TYPE SELECTION	
Type	W7
STD/VR	Open
í VRE	Closed