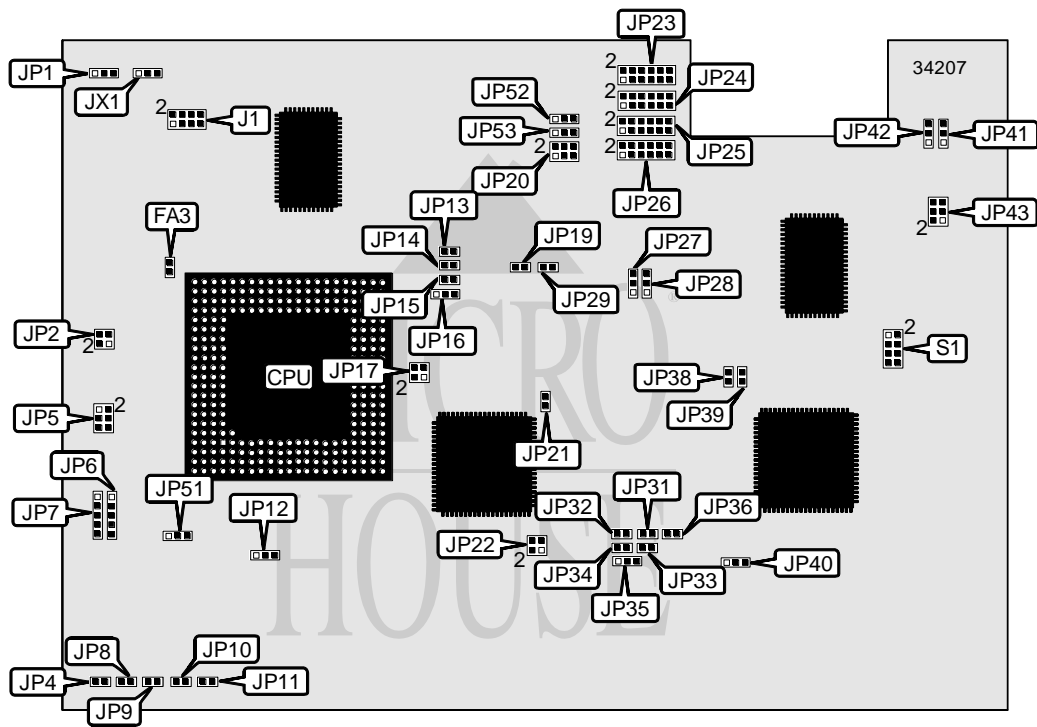


DATAVAN INTERNATIONAL CORPORATION

DTV-07C

Processor	CX M1/AM K5/Pentium
Processor Speed	75/90/100/120/133/150/166/200MHz
Chip Set	ALI
Video Chip Set	Cirrus Logic
Maximum Onboard Memory	64MB (EDO supported)
Maximum Video Memory	2MB
Cache	256/512KB
BIOS	AMI
Dimensions	265mm x 150mm
I/O Options	Floppy drive interface, green PC connector, IDE interface, PS/2 mouse port, serial ports (2), VGA port, LCD panel connector
NPU Options	None



Continued on next page. . .

DATAVAN INTERNATIONAL CORPORATION
DTV-07C

... continued from previous page

CONNECTIONS			
Purpose	Location	Purpose	Location
Chassis fan power *	FAN	Power LED	JP4
Chassis fan power *	FA1	Turbo LED	JP8
Chassis fan power	FA3	IDE interface LED	JP9
Floppy drive interface	J2	Green PC connector	JP10
IDE interface 1	J3	Reset switch	JP11
Serial port 2 *	J7	Serial port 3 *	JP45
Serial port 1 *	J8	Serial port 4 *	JP46
LCD panel connector *	J9	TTL for COM3 *	JP47
VGA port *	J10	RS-485 for COM4 *	JP48
Speaker *	JP3	PS/2 mouse interface *	JP50

Note: The location of connectors marked with an * are unidentified.

USER CONFIGURABLE SETTINGS		
Function	Label	Position
í On board I/O enabled	JP12	Pins 1 & 2 closed
On board I/O disabled	JP12	Pins 2 & 3 closed
í Watchdog timer disabled	JP16	Pins 2 & 3 closed
Watchdog timer enabled	JP16	Pins 1 & 2 closed
í CMOS memory normal operation	JP21	Open
CMOS memory clear	JP21	Closed
í Factory configured - do not alter	JP31	Unidentified
í Factory configured - do not alter	JP32	Unidentified
í Flash BIOS voltage select 5v	JP35	Pins 2 & 3 closed
Flash BIOS voltage select 12v	JP35	Pins 1 & 2 closed
í VRA IRQ2/9 disabled	JP38	Open
VRA IRQ2/9 enabled	JP38	Closed
í VGA type select MCLK	JP39	Closed
VGA type select XMCLK	JP39	Open
í Fan voltage select 12v	JP51	Pins 1 & 2 closed
Fan voltage select5v	JP51	Pins 2 & 3 closed

DRAM CONFIGURATION		
Size	Bank 0	Bank 1
4MB	(1) 1M x 36	None
8MB	(1) 1M x 36	(1) 1M x 36
8MB	(1) 2M x 36	None
16MB	(1) 4M x 36	None
20MB	(1) 4M x 36	(1) 1M x 36
24MB	(1) 4M x 36	(1) 2M x 36
32MB	(1) 4M x 36	(1) 4M x 36
32MB	(1) 8M x 36	None
64MB	(1) 8M x 36	(1) 8M x 36

Note: The location of banks 0 & 1 is unidentified. Board accepts EDO memory.

Continued on next page...

DATAVAN INTERNATIONAL CORPORATION

DTV-07C

... continued from previous page

CACHE CONFIGURATION	
Note: Board accepts 256KB/512KB cache. The location is unidentified.	

CACHE JUMPER CONFIGURATION	
Size	JP1
256KB	Pins 2 & 3 closed
512KB	Pins 1 & 2 closed

VIDEO MEMORY CONFIGURATION		
Size	Bank 0	Bank 1
1MB	(2) 256K x 16	None
2MB	(2) 256K x 16	(2) 256K x 16

Note: The location of banks 0 & 1 is unidentified.

VIDEO MEMORY JUMPER CONFIGURATION	
Size	JP36
1MB	Open
2MB	Closed

CPU SPEED SELECTION (AMD)							
CPU speed	Clock speed	Multiplier	JP13	JP14	JP15	JP17	JX1
75MHz	50MHz	1.5x	Open	Open	Open	1 & 2, 3 & 4	1 & 2
90MHz	60MHz	1.5x	Open	Open	Open	1 & 2	1 & 2
133MHz	66MHz	2x	Open	Closed	Open	3 & 4	1 & 2

Note: Pins designated should be in the closed position.

CPU SPEED SELECTION (CYRIX)							
CPU speed	Clock speed	Multiplier	JP13	JP14	JP15	JP17	JX1
150MHz	60MHz	2x	Open	Closed	Closed	1 & 2	2 & 3
166MHz	66MHz	2x	Open	Closed	Closed	3 & 4	2 & 3

Note: Pins designated should be in the closed position.

CPU SPEED SELECTION (INTEL)							
CPU speed	Clock speed	Multiplier	JP13	JP14	JP15	JP17	JX1
133MHz	66MHz	2x	Open	Closed	Open	3 & 4	1 & 2
166MHz	66MHz	2.5x	Closed	Closed	Open	3 & 4	1 & 2
200MHz	66MHz	3x	Closed	Open	Open	3 & 4	1 & 2

Note: Pins designated should be in the closed position.

CPU TYPE SELECTION	
Type	JP5
P54C	Pins 1 & 2, 3 & 4, 5 & 6 closed
P55CT	Open

Continued on next page...

DATAVAN INTERNATIONAL CORPORATION
DTV-07C

... continued from previous page

CPU VOLTAGE SELECTION		
Voltage	JP6	JP7
2.8	Pins 4 & 5 closed	Pins 1 & 2 closed
í 3.3	Pins 1 & 2 closed	Pins 1 & 2 closed
3.5	Pins 2 & 3 closed	Pins 2 & 3 closed

SERIAL PORT SELECTION		
Serial port	RS selection	JP20
í COM3	RS-232	Open
COM3	RS-422	See JP52 & JP53
í COM4	RS-232	Open
COM4	RS-422	Pins 3 & 4 closed
COM4	RS-485 (model 1)	Pins 5 & 6 closed
COM4	RS-485 (model 2)	Pins 3 & 4, 5 & 6 closed

SERIAL PORT 3/4 ADDRESS SELECTION		
Setting	JP29	
í COM3 (3E8h)/COM4 (2E8h)	Open	
COM3 (3F8h)/COM4 (2F8h)	Closed	

SERIAL PORT 1 INTERRUPT SELECTION		
IRQ	JP25	
í IRQ4	Pins 1 & 2 closed	
IRQ5	Pins 3 & 4 closed	
IRQ7	Pins 5 & 6 closed	
IRQ9	Pins 7 & 8 closed	
IRQ10	Pins 9 & 10 closed	
IRQ11	Pins 11 & 12 closed	

SERIAL PORT 2 INTERRUPT SELECTION		
IRQ	JP26	
í IRQ3	Pins 1 & 2 closed	
IRQ5	Pins 3 & 4 closed	
IRQ7	Pins 5 & 6 closed	
IRQ9	Pins 7 & 8 closed	
IRQ10	Pins 9 & 10 closed	
IRQ11	Pins 11 & 12 closed	

Continued on next page...

DATAVAN INTERNATIONAL CORPORATION
DTV-07C

... continued from previous page

SERIAL PORT 3 INTERRUPT SELECTION	
IRQ	JP23
IRQ4	Pins 1 & 2 closed
í IRQ5	Pins 3 & 4 closed
IRQ7	Pins 5 & 6 closed
IRQ9	Pins 7 & 8 closed
IRQ10	Pins 9 & 10 closed
IRQ11	Pins 11 & 12 closed

SERIAL PORT 4 INTERRUPT SELECTION	
IRQ	JP24
IRQ3	Pins 1 & 2 closed
IRQ5	Pins 3 & 4 closed
IRQ7	Pins 5 & 6 closed
í IRQ9	Pins 7 & 8 closed
IRQ10	Pins 9 & 10 closed
IRQ11	Pins 11 & 12 closed

SERIAL PORT 3 SELECTION		
Type	JP52	JP53
í RS-232	Pins 1 & 2 closed	Pins 1 & 2 closed
RS-422	Pins 2 & 3 closed	Pins 2 & 3 closed

SERIAL PORT 4 SELECTION	
Type	JP43
í RS-232/RS-422	Open
RS-422 by terminator	Pins 5 & 6 closed
RS-485	Pins 1 & 2, 3 & 4 closed
RS-485 by terminator	Pins 1 & 2, 3 & 4, 5 & 6 closed

SERIAL PORT SELECTION				
Setting	JP27	JP28	JP41	JP42
Normal pin	Pins 2 & 3 closed	Pins 2 & 3 closed	Pins 1 & 2 closed	Pins 1 & 2 closed
Add +5v for CCD	Pins 1 & 2 closed	Pins 1 & 2 closed	Pins 2 & 3 closed	Pins 2 & 3 closed

ON BOARD VGA SELECTION		
Setting	JP19	JP40
í Enabled	Closed	Pins 1 & 2 closed
Disabled	Open	Pins 2 & 3 closed

Continued on next page...

DATAVAN INTERNATIONAL CORPORATION
DTV-07C

... continued from previous page

WATCHDOG TIMER SELECTION		
Setting	J1	JP2
4 seconds	Pins 1 & 2 closed	Pins 1 & 2 closed
8 seconds	Pins 3 & 4 closed	Pins 1 & 2 closed
12 seconds	Pins 5 & 6 closed	Pins 1 & 2 closed
16 seconds	Pins 7 & 8 closed	Pins 1 & 2 closed
í 60 seconds	Pins 1 & 2 closed	Pins 3 & 4 closed
120 seconds	Pins 3 & 4 closed	Pins 3 & 4 closed
180 seconds	Pins 5 & 6 closed	Pins 3 & 4 closed
240 seconds	Pins 7 & 8 closed	Pins 3 & 4 closed

WATCHDOG TIMER I/O ADDRESS SELECTION	
Address	JP22
200h – 201h	Open
í 280h – 281h	Pins 3 & 4 closed
300h – 301h	Pins 1 & 2 closed
380h – 381h	Pins 1 & 2, 3 & 4 closed

GREEN PC SELECTION			
Suspend Mode	Standby mode	JP33	JP34
í Enabled	N/A	Open	N/A
Disabled	N/A	Closed	N/A
í N/A	Enabled	N/A	Open
N/A	Disabled	N/A	Closed

LCD PANEL SELECTION		
Panel	Resolution	S1
TFT	640 x 480	Pins 5 & 6 closed
TFT	800 x 600	Open
DSTN	640 x 480	Pins 1 & 2, 5 & 6 closed