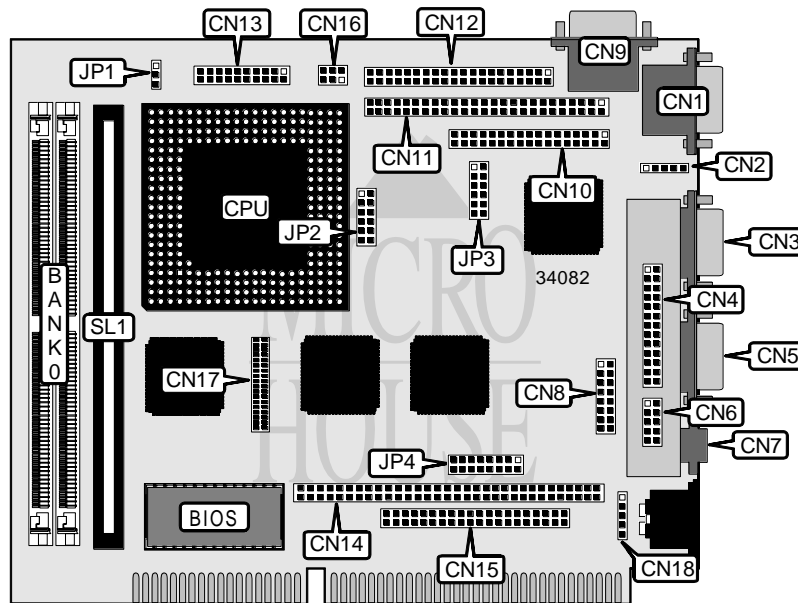


# INSIDE TECHNOLOGY A/S 686LCD/S

<b>Processor</b>	CX M1/AM K5/Pentium
<b>Processor Speed</b>	75/90/100/120/133/150/166/180/200MHz
<b>Chip Set</b>	Intel
<b>Video Chip Set</b>	Chips and Technology
<b>Maximum Onboard Memory</b>	256MB (EDO supported)
<b>Maximum Video Memory</b>	2MB
<b>Cache</b>	256/512KB
<b>BIOS</b>	AMI
<b>Dimensions</b>	191mm x 123mm
<b>I/O Options</b>	Ethernet 10BaseT connector, AUI connector, floppy drive interface, IDE interface, parallel port, PS/2 mouse interface, serial ports (2), VGA port, cache slot, PC104 connectors (2), YUV connector, panel link port, flat panel connector, VGA port
<b>NPU Options</b>	None



CONNECTIONS			
Purpose	Location	Purpose	Location
USB connector	CN1	Floppy drive interface	CN10
PS/2 mouse interface	CN2	Flat panel connector	CN11
Serial port 1	CN3	IDE interface	CN12
Parallel port	CN4	VGA feature connector	CN13
VGA port	CN5	PC104 connector	CN14
Serial port 2	CN6	PC104 connector	CN15
Ethernet 10BaseT connector	CN7	YUV connector	CN17
AUI connector	CN8	Auxiliary keyboard connector	CN18
Panel link port	CN9	Cache slot	SL1

Continued on next page. . .

# INSIDE TECHNOLOGY A/S

## 686LCD/S

... continued from previous page

USER CONFIGURABLE SETTINGS		
Function	Label	Position
í Factory configured - do not alter	CN16	Unidentified
í Factory configured - do not alter	JP1	Unidentified
í Factory configured - do not alter	JP2	Unidentified
í Factory configured - do not alter	JP3	Unidentified
í Factory configured - do not alter	JP4	Unidentified

DRAM CONFIGURATION	
Size	Bank 0
8MB	(2) 1M x 36
16MB	(2) 2M x 36
32MB	(2) 4M x 36
64MB	(2) 8M x 36
128MB	(2) 16M x 36
256MB	(2) 32M x 36
Note: Board accepts EDO memory.	

CACHE CONFIGURATION	
Size	SL1
256KB	256KB module installed
512KB	512KB module installed

VIDEO MEMORY CONFIGURATION
Note: Board is installed with 2MB of video memory. The location is unidentified.