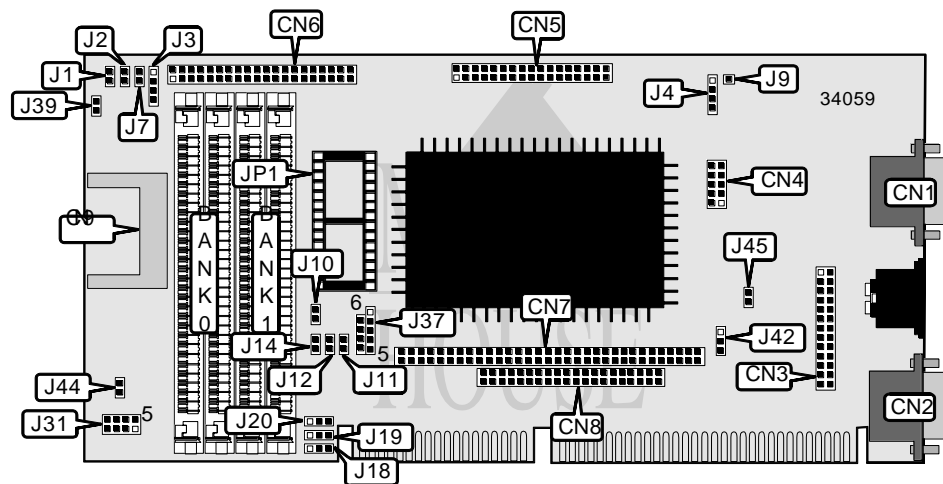


ZF MICROSYSTEMS, INC.

S B X / 3 8 6

Processor	80386SX
Processor Speed	33MHz
Chip Set	Unidentified
Video Chip Set	None
Maximum Onboard Memory	16MB
Maximum Video Memory	None
Cache	None
BIOS	Unidentified
Dimensions	254mm x 114mm
I/O Options	Floppy drive interface, IDE interface, parallel port, serial ports (2), VGA port, PC104 connectors (2), solid state disk
NPU Options	None



CONNECTIONS			
Purpose	Location	Purpose	Location
VGA port	CN1	Monitor power input connector	J1
Serial port 1	CN2	IDE interface LED	J2
Parallel port	CN3	Speaker	J3
Serial port 2	CN4	External battery	J4
Floppy drive interface	CN5	Keylock	J7
IDE interface	CN6	Power connector	J31
PC104 connector	CN7	Reset switch	J39
PC104 connector	CN8	Expansion socket	JP1
Solid state disk	CN9		

Continued on next page. . .

ZF MICROSYSTEMS, INC.

S B X / 3 8 6

... continued from previous page

USER CONFIGURABLE SETTINGS		
Function	Label	Position
í Factory configured - do not alter	J9	Unidentified
í BIOS disabled	J10	Open
BIOS enabled	J10	Closed
VGA IRQ select IRQ9	J42	Pins 2 & 3 closed
VGA IRQ select IRQ7	J42	Pins 1 & 2 closed
í SanDisk master/slave select master	J44	Closed
SanDisk master/slave select slave	J44	Open
í Monitor type select non interlaced	J45	Open
Monitor type select interlaced	J45	Closed

DRAM CONFIGURATION		
Size	Bank 0	Bank 1
2MB	(2) 1M x 9	None
4MB	(2) 1M x 9	(2) 1M x 9
8MB	(2) 4M x 9	None
10MB	(2) 4M x 9	(2) 1M x 9
16MB	(2) 4M x 9	(2) 4M x 9

Note: Board also accepts x 8 SIMMs.

EXPANSION SOCKET SELECTION			
Type	Device	Size	J37
EPROM	27C256	32KB	6 & 7, 8 & 9
EPROM	27C512	64KB	3 & 7, 8 & 9
EPROM	27C010	128KB	2 & 6, 3 & 7, 4 & 5, 8 & 9
Flash BIOS	28F256A	32KB	1 & 2, 4 & 5, 8 & 9
Flash BIOS	28F512	64KB	1 & 2, 4 & 5, 3 & 7 & 8 & 9
Flash BIOS	28F010	128KB	1 & 2, 4 & 5, 3 & 7 & 8 & 9
Flash BIOS	AM29F020	128KB	4 & 5, 3 & 7 & 8 & 9
NVRAM	DS1225Y	8KB	5 & 9
NVRAM	DS1230	32KB	5 & 9, 7 & 8
NVRAM	DS1235Y	32KB	5 & 9, 7 & 8
NVRAM	DS1630	32KB	5 & 9, 7 & 8
NVRAM	DS1245Y	128KB	3 & 4, 5 & 9, 7 & 8
NVRAM	DS1645Y	128KB	3 & 7, 4 & 5, 8 & 9
NVRAM	BQ4010Y	8KB	5 & 9
NVRAM	BQ4011Y	32KB	5 & 9, 7 & 8
NVRAM	BQ4013Y	128KB	3 & 4, 5 & 9, 7 & 8

Note: Pins designated should be in the closed position.

Continued on next page...

ZF MICROSYSTEMS, INC.

SBX/386

... continued from previous page

BIOS SELECTION				
Size	Address	J11	J12	J14
í Disabled	N/A	Closed	Closed	Closed
16KB	DC000h	Closed	Closed	Open
32KB	D8000h	Open	Open	Closed
64KB	D0000h	Closed	Open	Open
80KB	CC000h	Open	Closed	Closed
96KB	C8000h	Open	Closed	Open
112KB	C4000h	Open	Open	Closed
128KB	C0000h	Open	Open	Open

WATCHDOG TIMER SELECTION			
Type	J18	J19	J20
Watchdog timer	Pins 1 & 2 closed	Pins 1 & 2 closed	Pins 1 & 2 closed
Power fail	Pins 2 & 3 closed	Pins 2 & 3 closed	Pins 2 & 3 closed