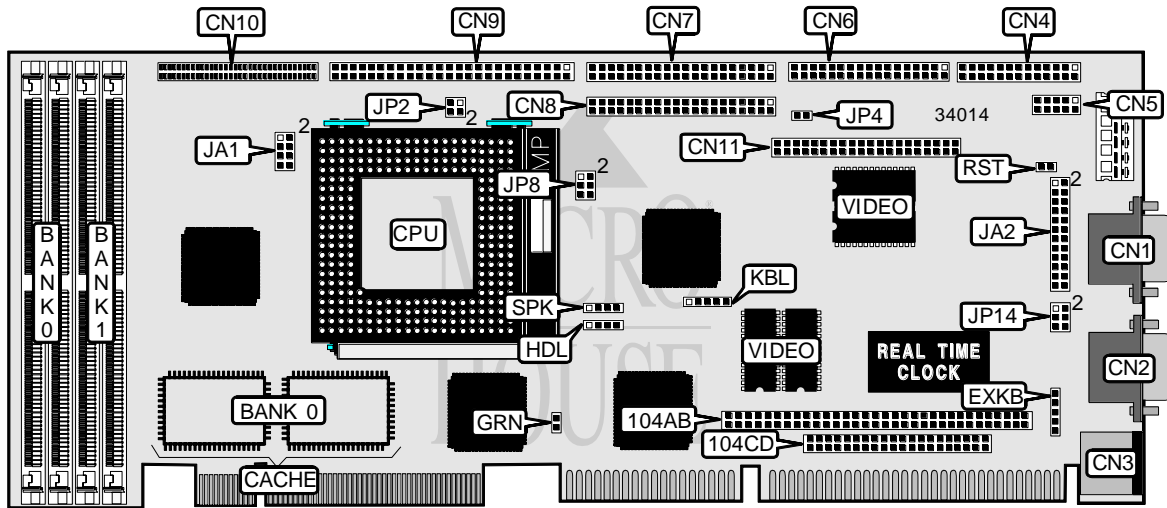


AXIOM TECHNOLOGY, INC.

SBC 8259

Processor	CX M1/AM K5/Pentium
Processor Speed	75/90/100/120/133/150/166/200/MHz
Chip Set	Unidentified
Video Chip Set	Unidentified
Maximum Onboard Memory	256MB (EDO supported)
Maximum Video Memory	1MB
Cache	256/512KB
BIOS	Award
Dimensions	338mm x 122mm
I/O Options	Floppy drive interface, green PC connector, IDE interfaces (2), Ultra Wide SCSI interface, SCSI II interface, parallel port, PS/2 mouse port/keyboard, serial ports (2), VGA port, PC104 connectors (2), flat panel connector
NPU Options	None



CONNECTIONS			
Purpose	Location	Purpose	Location
Serial port 1	CN1	Flat panel connector	CN11
VGA port	CN2	Auxiliary keyboard connector	EXKB
PS/2 mouse port/keyboard	CN3	Green PC connector	GRN
Parallel port	CN4	IDE interface LED	HDL
Serial port 2	CN5	SCSI LED	JP4
Floppy drive interface	CN6	Power LED & keylock	KBL
IDE interface 1	CN7	Reset switch	RST
IDE interface 2	CN8	Speaker	SPK
SCSI II interface	CN9	PC104 connector	104AB
Ultra Wide SCSI interface	CN10	PC104 connector	104CD

Continued on next page. . .

AXIOM TECHNOLOGY, INC.
SBC8259

... continued from previous page

DRAM CONFIGURATION		
Size	Bank 0	Bank 1
2MB	(2) 256K x 36	None
4MB	(2) 256K x 36	(2) 256K x 36
4MB	(2) 512K x 36	None
6MB	(2) 512K x 36	(2) 256K x 36
8MB	(2) 512K x 36	(2) 512K x 36
8MB	(2) 1M x 36	None
10MB	(2) 1M x 36	(2) 256K x 36
12MB	(2) 1M x 36	(2) 512K x 36
16MB	(2) 1M x 36	(2) 1M x 36
16MB	(2) 2M x 36	None
18MB	(2) 2M x 36	(2) 256K x 36
20MB	(2) 2M x 36	(2) 512K x 36
24MB	(2) 2M x 36	(2) 1M x 36
32MB	(2) 2M x 36	(2) 2M x 36
32MB	(2) 4M x 36	None
34MB	(2) 4M x 36	(2) 256K x 36
36MB	(2) 4M x 36	(2) 512K x 36
40MB	(2) 4M x 36	(2) 1M x 36
48MB	(2) 4M x 36	(2) 2M x 36
64MB	(2) 4M x 36	(2) 4M x 36
64MB	(2) 8M x 36	None
66MB	(2) 8M x 36	(2) 256K x 36
68MB	(2) 8M x 36	(2) 512K x 36
72MB	(2) 8M x 36	(2) 1M x 36
80MB	(2) 8M x 36	(2) 2M x 36
96MB	(2) 8M x 36	(2) 4M x 36
128MB	(2) 8M x 36	(2) 8M x 36
128MB	(2) 16M x 36	None
130MB	(2) 16M x 36	(2) 256K x 36
132MB	(2) 16M x 36	(2) 512K x 36
136MB	(2) 16M x 36	(2) 1M x 36
144MB	(2) 16M x 36	(2) 2M x 36
160MB	(2) 16M x 36	(2) 4M x 36
192MB	(2) 16M x 36	(2) 8M x 36
256MB	(2) 16M x 36	(2) 16M x 36

Note: Board accepts EDO memory.

CACHE CONFIGURATION	
Size	Bank 0
256KB	(2) 32K x 32
512KB	(2) 64K x 32

Continued on next page. . .

AXIOM TECHNOLOGY, INC.

SBC8259

... continued from previous page

VIDEO MEMORY CONFIGURATION

Note: 1MB video memory is factory installed and not configurable.

CPU SPEED SELECTION (CYRIX)

CPU speed	Clock speed	Multiplier	JP2	JP8
120MHz	50MHz	1.5x	Open	3 & 4, 5 & 6
150MHz	60MHz	1.5x	Open	1 & 3, 4 & 6
166MHz	66MHz	1.5x	Open	2 & 4, 3 & 5

Note: Pins designated should be in the closed position.

CPU SPEED SELECTION (INTEL)

CPU speed	Clock speed	Multiplier	JP2	JP8
75MHz	50MHz	1.5x	Open	3 & 4, 5 & 6
90MHz	60MHz	1.5x	Open	1 & 3, 4 & 6
100MHz	66MHz	1.5x	Open	2 & 4, 3 & 5
120MHz	60MHz	2x	2 & 4	1 & 3, 4 & 6
133MHz	66MHz	2x	2 & 4	2 & 4, 3 & 5
150MHz	50MHz	2.5x	1 & 3	3 & 4, 5 & 6
166MHz	66MHz	2.5x	1 & 3, 2 & 4	2 & 4, 3 & 5
200MHz	66MHz	3x	1 & 3	2 & 4, 3 & 5

Note: Pins designated should be in the closed position.

CPU VOLTAGE SELECTION

Voltage	JA1
2.5v	Pins 5 & 6 closed
2.75v	Pins 7 & 8 closed
3.3v	Pins 1 & 2 closed
3.52v	Pins 3 & 4 closed

SERIAL PORT 2 SELECTION

Setting	JA2
RS-232	1 & 2
RS-422	1 & 3, 5 & 6, 7 & 8, 9 & 10, 11 & 12, 17 & 18, 19 & 20, 21 & 22, 23 & 24
RS-485	1 & 3, 4 & 6, 7 & 8, 9 & 10, 11 & 12, 13 & 14, 15 & 16, 17 & 18, 19 & 20, 21 & 22, 23 & 24

Note: Pins designated should be in the closed position.

KYEBOARD/MOUSE SELECTION

Setting	JP14
CN3 used as keyboard	Pins 3 & 5, 4 & 6 closed
CN3 used as PS/2 mouse	Pins 1 & 3, 2 & 4 closed