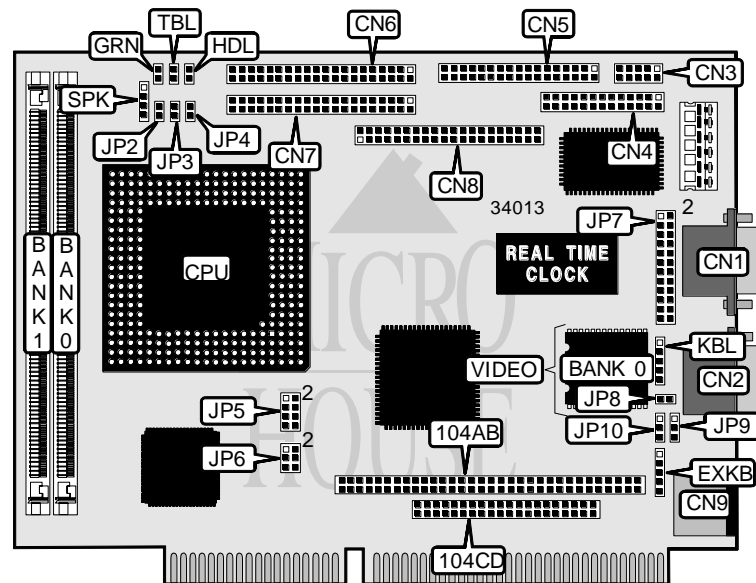


AXIOM TECHNOLOGY, INC.

SBC 8257

Processor	CX M1/AM K5/Pentium
Processor Speed	75/90/100/120/133/150/166/200MHz
Chip Set	Unidentified
Video Chip Set	Unidentified
Maximum Onboard Memory	128MB (EDO supported)
Maximum Video Memory	1MB
Cache	256/512KB
BIOS	Award
Dimensions	185mm x 122mm
I/O Options	Floppy drive interface, green PC connector, IDE interfaces (2), parallel port, PS/2 mouse port/keyboard, serial ports (2), VGA port, flat panel connector, PC104 connectors (2)
NPU Options	None



CONNECTIONS			
Purpose	Location	Purpose	Location
Serial port 1	CN1	Auxiliary keyboard connector	EXKB
VGA port	CN2	Green PC connector	GRN
Serial port 2	CN3	IDE interface LED	HDL
Parallel port	CN4	Reset switch	JP8
Floppy drive interface	CN5	Power LED & keylock	KBL
IDE interface 1	CN6	Speaker	SPK
IDE interface 2	CN7	Turbo LED	TBL
Flat panel connector	CN8	PC104 connector	104AB
PS/2 mouse port/keyboard	CN9	PC104 connector	104CD

Continued on next page. . .

AXIOM TECHNOLOGY, INC.
SBC8257

... continued from previous page

DRAM CONFIGURATION		
Size	Bank 0	Bank 1
1MB	(1) 256K x 36	None
2MB	(1) 256K x 36	(1) 256K x 36
2MB	(1) 512K x 36	None
3MB	(1) 256K x 36	(1) 512K x 36
4MB	(1) 512K x 36	(1) 512K x 36
4MB	(1) 1M x 36	None
5MB	(1) 256K x 36	(1) 1M x 36
6MB	(1) 512K x 36	(1) 1M x 36
8MB	(1) 1M x 36	(1) 1M x 36
8MB	(1) 2M x 36	None
10MB	(1) 512K x 36	(1) 2M x 36
12MB	(1) 1M x 36	(1) 2M x 36
16MB	(1) 2M x 36	(1) 2M x 36
20MB	(1) 1M x 36	(1) 4M x 36
24MB	(1) 2M x 36	(1) 4M x 36
32MB	(1) 4M x 36	(1) 4M x 36
32MB	(1) 8M x 36	None
36MB	(1) 1M x 36	(1) 8M x 36
40MB	(1) 2M x 36	(1) 8M x 36
48MB	(1) 4M x 36	(1) 8M x 36
64MB	(1) 8M x 36	(1) 8M x 36
96MB	(1) 8M x 36	(1) 16M x 36
128MB	(1) 16M x 36	(1) 16M x 36

Note: Board accepts EDO memory.

CACHE CONFIGURATION
Note: The location of the cache is unidentified.

VIDEO MEMORY CONFIGURATION
Note: 1MB video memory is factory installed and not configurable.

CPU SPEED SELECTION (CYRIX)						
CPU speed	Clock speed	Multiplier	JP2	JP3	JP4	JP6
120MHz	50MHz	2x	Open	Open	Closed	3 & 5, 4 & 6
150MHz	60MHz	2x	Open	Open	Closed	1 & 3, 4 & 6
166MHz	66MHz	2x	Open	Open	Closed	2 & 4, 3 & 5

Note: Pins designated should be in the closed position.

Continued on next page...

AXIOM TECHNOLOGY, INC.

SBC8257

... continued from previous page

CPU SPEED SELECTION (AMD)

Note: AMD CPU configuration is unidentified.

CPU SPEED SELECTION (INTEL)

CPU speed	Clock speed	Multiplier	JP2	JP3	JP4	JP6
75MHz	50MHz	1.5x	Open	Open	Open	3 & 5, 4 & 6
90MHz	60MHz	1.5x	Open	Open	Open	1 & 3, 4 & 6
100MHz	66MHz	1.5x	Open	Open	Open	2 & 4, 3 & 5
120MHz	60MHz	2x	Closed	Open	Open	1 & 3, 4 & 6
133MHz	66MHz	2x	Closed	Open	Open	2 & 4, 3 & 5
150MHz	50MHz	2.5x	Open	Closed	Open	3 & 5, 4 & 6
166MHz	66MHz	2.5x	Closed	Closed	Open	2 & 4, 3 & 5
200MHz	66MHz	3x	Open	Closed	Open	2 & 4, 3 & 5

Note: Pins designated should be in the closed position.

CPU VOLTAGE SELECTION

Voltage	JP5
2.5v	Pins 5 & 6 closed
2.7v	Pins 7 & 8 closed
3.3v	Pins 1 & 2 closed
3.52v	Pins 3 & 4 closed

SERIAL PORT 2 SELECTION

Setting	JP7
RS-232	1 & 2
RS-422	1 & 3, 5 & 6, 7 & 8, 9 & 10, 11 & 12, 17 & 18, 19 & 20, 21 & 22, 23 & 24
RS-485	1 & 3, 4 & 6, 7 & 8, 9 & 10, 11 & 12, 13 & 14, 15 & 16, 17 & 18, 19 & 20, 21 & 22, 23 & 24

Note: Pins designated should be in the closed position.

KEYBOARD/MOUSE SELECTION

Setting	JP9	JP10
CN8 used as keyboard	Pins 2 & 3 closed	Pins 2 & 3 closed
CN8 used as PS/2 mouse	Pins 1 & 2 closed	Pins 1 & 2 closed