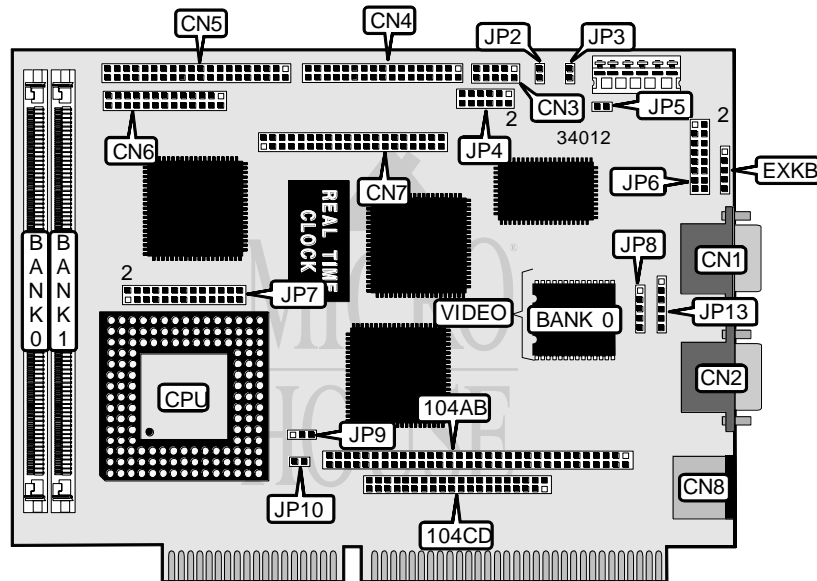


AXIOM TECHNOLOGY, INC.

A X 8 2 4 5 H

Processor	80486SX/CX486DX/AM486WB/AM486DX/80486DX/CX486DX2/ AM486DX2/80486DX2/CX486DX4/AM486DX4/80486DX4/CX5X86/ AM5X86
Processor Speed	25/33/40/50(internal)/66(internal)/75(internal)/80(internal)/ 100(internal)/120(internal)/133(internal)MHz
Chip Set	Unidentified
Video Chip Set	Unidentified
Maximum Onboard Memory	64MB
Maximum Video Memory	1MB
Cache	128/256/512KB
BIOS	Award
Dimensions	185mm x 122mm
I/O Options	Floppy drive interface, green PC connector, IDE interface, parallel port, PS/2 mouse port/keyboard, serial ports (2), VGA port, flat panel connector, PC104 connectors (2)
NPU Options	None



CONNECTIONS			
Purpose	Location	Purpose	Location
Serial port 1	CN1	Auxiliary keyboard connector	EXKB
VGA port	CN2	Turbo LED	JP2
Serial port 2	CN3	IDE interface LED	JP3
Parallel port	CN4	Reset switch	JP5
IDE interface	CN5	Power LED & keylock	JP8
Floppy drive interface	CN6	Green PC connector	JP10
Flat panel connector	CN7	PC104 connector	104AB
PS/2 mouse port/keyboard	CN8	PC104 connector	104CD

Continued on next page. . .

AXIOM TECHNOLOGY, INC.
AX8245H

... continued from previous page

USER CONFIGURABLE SETTINGS		
Function	Label	Position
í CN8 used as keyboard connector	JP13	Pins 2 & 3, 5 & 6 closed
CN8 used as PS/2 mouse port	JP13	Pins 1 & 2, 4 & 5 closed

DRAM CONFIGURATION		
Size	Bank 0	Bank 1
1MB	(1) 256K x 36	None
2MB	(1) 256K x 36	(1) 256K x 36
2MB	(1) 512K x 36	None
3MB	(1) 256K x 36	(1) 512K x 36
4MB	(1) 512K x 36	(1) 512K x 36
4MB	(1) 1M x 36	None
5MB	(1) 256K x 36	(1) 1M x 36
6MB	(1) 512K x 36	(1) 1M x 36
8MB	(1) 1M x 36	(1) 1M x 36
8MB	(1) 2M x 36	None
10MB	(1) 512K x 36	(1) 2M x 36
12MB	(1) 1M x 36	(1) 2M x 36
16MB	(1) 2M x 36	(1) 2M x 36
20MB	(1) 1M x 36	(1) 4M x 36
24MB	(1) 2M x 36	(1) 4M x 36
32MB	(1) 4M x 36	(1) 4M x 36
32MB	(1) 8M x 36	None
36MB	(1) 1M x 36	(1) 8M x 36
40MB	(1) 2M x 36	(1) 8M x 36
48MB	(1) 4M x 36	(1) 8M x 36
64MB	(1) 8M x 36	(1) 8M x 36

CACHE CONFIGURATION
Note: The location of the cache is unidentified.

VIDEO MEMORY CONFIGURATION
Note: 1MB video memory is factory installed and not configurable.

Continued on next page...

AXIOM TECHNOLOGY, INC.

A X 8 2 4 5 H

... continued from previous page

CPU SPEED SELECTION	
Speed	JP4
25MHz	Pins 3 & 4 closed
33MHz	Pins 1 & 2, 3 & 4, 5 & 6 closed
40MHz	Pins 1 & 2, 5 & 6 closed
50iMHz	Pins 3 & 4 closed
66iMHz	Pins 1 & 2, 3 & 4, 5 & 6 closed
75iMHz	Pins 3 & 4 closed
80iMHz	Pins 1 & 2, 5 & 6 closed
100iMHz	Pins 1 & 2, 3 & 4, 5 & 6 closed
120iMHz	Pins 1 & 2, 5 & 6 closed
133iMHz	Pins 1 & 2, 3 & 4, 5 & 6 closed

CPU TYPE SELECTION	
Type	JP7
80486SX	5 & 6, 11 & 12, 13 & 15, 14 & 16, 19 & 20, 22 & 24
CX486DX	1 & 2, 6 & 8, 9 & 10, 11 & 13, 14 & 16, 15 & 17, 19 & 21, 22 & 24, 25 & 26
AM486 WB	1 & 3, 5 & 6, 8 & 10, 11 & 12, 13 & 15, 14 & 16, 19 & 21, 23 & 24, 25 & 26
AM486DX	4 & 6, 9 & 11, 15 & 16, 19 & 21, 22 & 24, 25 & 26
80486DX	5 & 6, 11 & 12, 13 & 15, 14 & 16, 19 & 21, 22 & 24, 25 & 26
CX486DX2	1 & 2, 6 & 8, 9 & 10, 11 & 13, 14 & 16, 15 & 17, 19 & 21, 22 & 24, 25 & 26
AM486DX2	4 & 6, 9 & 11, 15 & 16, 17 & 18, 19 & 21, 22 & 24, 25 & 26
80486DX2	5 & 6, 11 & 12, 13 & 15, 14 & 16, 19 & 21, 22 & 24, 25 & 26
CX486DX4	1 & 2, 6 & 8, 9 & 10, 11 & 13, 14 & 16, 15 & 17, 19 & 21, 22 & 24, 25 & 26
AM486DX4	4 & 6, 9 & 11, 15 & 16, 19 & 21, 22 & 24, 25 & 26
80486DX4	5 & 6, 11 & 12, 13 & 15, 14 & 16, 19 & 21, 22 & 24, 25 & 26
CX5X86	1 & 3, 5 & 6, 8 & 10, 11 & 12, 13 & 15, 14 & 16, 19 & 21, 23 & 24, 25 & 26
CX5X86-133	1 & 3, 5 & 6, 7 & 9, 8 & 10, 11 & 12, 14 & 16, 15 & 17, 19 & 21, 23 & 24, 25 & 26
AM5X86	1 & 3, 5 & 6, 7 & 9, 8 & 10, 11 & 12, 13 & 15, 14 & 16, 19 & 21, 23 & 24, 25 & 26

Note: Pins designated should be in the closed position.

CPU VOLTAGE SELECTION	
Voltage	JP9
3.3v	Pins 2 & 3 closed
5v	Pins 1 & 2 closed

SERIAL PORT 1 INTERRUPT SELECTION	
IRQ	JP4
IRQ4	Pins 7 & 8 closed
IRQ11	Pins 8 & 10 closed

Continued on next page. . .

AXIOM TECHNOLOGY, INC.

AX8245H

... continued from previous page

SERIAL PORT 2 INTERRUPT SELECTION	
IRQ	JP4
í IRQ3	Pins 9 & 11 closed
IRQ10	Pins 11 & 12 closed

SERIAL PORT 2 SELECTION	
Setting	JP6
í RS-232	Pins 1 & 2 closed
RS-422	Pins 1 & 3, 5 & 6, 7 & 8, 9 & 10, 11 & 12 closed
RS-485	Pins 1 & 3, 4 & 6, 7 & 8, 9 & 10, 11 & 12, 13 & 14, 15 & 16 closed