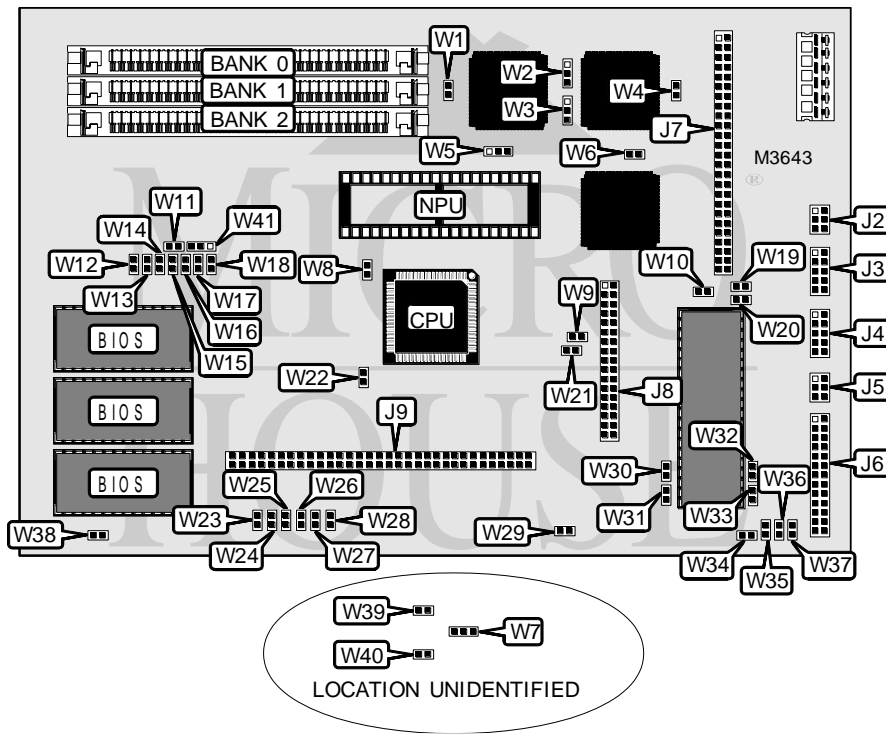


# AMPRO COMPUTERS, INC. LITTLE BOARD/PC

<b>Processor</b>	8088
<b>Processor Speed</b>	7MHz
<b>Chip Set</b>	Unidentified
<b>Video Chip Set</b>	None
<b>Maximum Onboard Memory</b>	640KB
<b>Maximum Video Memory</b>	None
<b>Cache</b>	None
<b>BIOS</b>	Ampro
<b>Dimensions</b>	203mm x 146mm
<b>I/O Options</b>	Floppy drive interface, SCSI connector, parallel port, serial ports (2), PC bus interface
<b>NPU Options</b>	NEC uPD72191



CONNECTIONS			
Purpose	Location	Purpose	Location
Serial port (V40)	J2	Keyboard connector	J5
Serial port	J3	Parallel port	J6
Speaker	J4 pins 1 & 2	SCSI interface	J7
Reset switch	J4 pins 3 & 4	Floppy drive interface	J8
Power LED	J4 pins 5 & 6	PC bus interface	J9
Auxiliary power for PC bus connector	J4 pins 7 - 10		

Continued on next page . . .

**AMPRO COMPUTERS, INC.  
LITTLE BOARD/PC**

... continued from previous page

USER CONFIGURABLE SETTINGS		
Function	Label	Position
í DMA END (TC) signal disabled	W1	Open
DMA END (TC) signal enabled	W1	Closed
í 5v termination power to pin 26 of SCSI disabled	W4	Open
5v termination power to pin 26 of SCSI enabled	W4	Closed
í PC bus IRQ5 disabled	W6	Open
PC bus IRQ5 enabled	W6	Closed
í Factory configured - do not alter	W9	Open
í Floppy drive IRQ6 enabled	W10	Closed
Floppy drive IRQ6 disabled	W10	Open
í Parallel port LPT select LPT1	W11	Open
Parallel port LPT select LPT2	W11	Closed
í Factory configured - do not alter	W21	Unidentified
í Factory configured - do not alter	W22	Unidentified
í Factory configured - do not alter	W26	Unidentified
í Factory configured - do not alter	W27	Unidentified
í Factory configured - do not alter	W28	Unidentified
í NPU not installed	W30	Open
NPU installed	W30	Closed
í Monitor type select CGA	W31	Closed
Monitor type select monochrome	W31	Open
í Factory configured - do not alter	W34	Unidentified
í Write precomp speed select 125ns	W39	Open
Write precomp speed select 187ns	W39	Closed
í Drive speed select single speed	W40	Open
Drive speed select dual speed	W40	Closed

DRAM CONFIGURATION			
Size	Bank 0	Bank 1	Bank 2
256KB	SIMM installed	None	None
512KB	SIMM installed	SIMM installed	None
640KB	SIMM installed	SIMM installed	SIMM installed

Note: The size of the DRAM chips are unidentified.

DRAM JUMPER CONFIGURATION		
Size	W19	W20
256KB	Closed	Closed
512KB	Open	Closed
640KB	Closed	Open

Continued on next page...

# AMPRO COMPUTERS, INC.

## LITTLE BOARD/PC

... continued from previous page

PROM SOCKET SELECTION (U26)					
Type	Address	W35	W36	W37	W38
í Empty	N/A	Open	Open	Open	N/A
2764	E0000h	Open	Open	Closed	Open
2764	E4000h	Closed	Closed	Open	Open
2764	E8000h	Open	Closed	Open	Open
2764	EC000h	Closed	Open	Open	Open
27256	E0000h	Open	Closed	Closed	Closed
27256	E8000h	Closed	Open	Closed	Closed
27512	E0000h	Closed	Closed	Closed	Closed

MEMORY OPTION SELECTION							
Type	W8	W12	W13	W14	W15	W16	W41
í None	Open	Open	Open	Open	Open	Open	Open
2764	Closed	Closed	Open	Open	Open	Open	2 & 3
27256	Open	Closed	Open	Closed	Closed	Open	2 & 3
6264	Closed	Closed	Open	Open	Open	Closed	Open
62256	Open	Closed	Open	Closed	Open	Closed	1 & 2

Note: Pins designated should be in the closed position.

FLOPPY DMA CHANNEL SELECTION		
Channel	W5	W7
1	Pins 1 & 2 closed	Pins 1 & 2 closed
í 2	Pins 2 & 3 closed	Pins 2 & 3 closed

SCSI DMA CHANNEL SELECTION		
Channel	W2	W3
1	Pins 2 & 3 closed	Pins 2 & 3 closed
í 3	Pins 1 & 2 closed	Pins 1 & 2 closed

SERIAL PORT ADDRESS SELECTION					
Setting	Address	IRQ	W17	W18	W29
í COM1 (3F8h)	3F8h - 3FF	IRQ4	Closed	Open	Open
COM2 (2F8h)	2F8h - 2FF	IRQ3	Open	Closed	Closed

FLOPPY DRIVE SELECTION		
Drives installed	W32	W33
1	Closed	Closed
2	Closed	Open
3 (not supported)	Open	Closed
4 (not supported)	Open	Open

Continued on next page...

**AMPRO COMPUTERS, INC.**  
**LITTLE BOARD/PC***... continued from previous page*

<b>SCSI BUS ID SELECTION</b>			
<b>ID</b>	<b>W23</b>	<b>W24</b>	<b>W25</b>
0	Closed	Closed	Closed
1	Open	Closed	Closed
2	Closed	Open	Closed
3	Open	Open	Closed
4	Closed	Closed	Open
5	Open	Closed	Open
6	Closed	Open	Open
7	Open	Open	Open