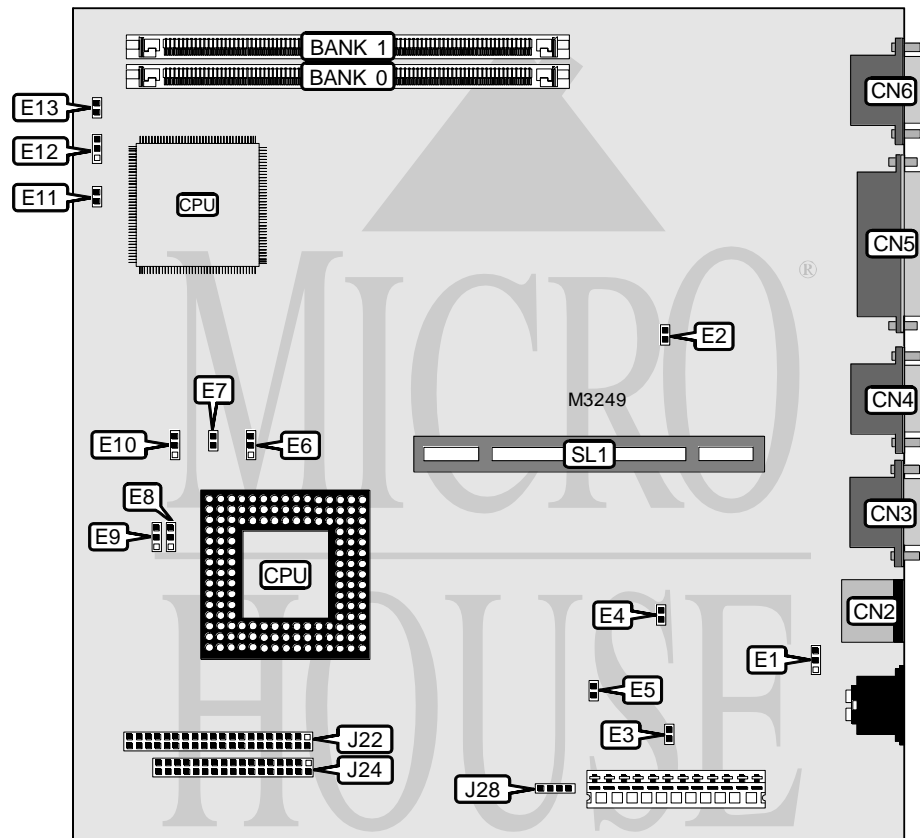


AST RESEARCH, INC.

ADVANTAGE! 6000 SERIES 486 (202676-F05)

Processor	80486SX/80487SX/ODP486/ODPR486/80486DX/80486DX2/P24T
Processor Speed	25/33/50(internal)/66(internal)MHz
Chip Set	Unidentified
Max. Onboard DRAM	32MB
Cache	None
BIOS	AST
Dimensions	220mm x 220mm
I/O Options	Floppy drive interface, IDE interface, parallel port, PS/2 mouse port, serial ports (2), VGA port, riser slot
NPU Options	None



CONNECTIONS

Purpose	Location	Purpose	Location
PS/2 mouse port	CN2	Power LED	E12
Serial port	CN3	IDE interface LED	E13
Serial port	CN4	IDE interface	J22
Parallel port	CN5	Floppy drive interface	J24
VGA port	CN6	Chassis fan power	J28
Reset switch	E11	Riser slot	SL1

Continued on next page. . .

AST RESEARCH, INC.

ADVANTAGE! 6000 SERIES 486 (202676-F05)

... continued from previous page

USER CONFIGURABLE SETTINGS		
Function	Jumper	Position
í Parallel port IRQ select IRQ7	E1	Pins 1 & 2 closed
Parallel port IRQ select IRQ5	E1	Pins 2 & 3 closed
í On board video enabled	E3	Closed
On board video disabled	E3	Open
í Monitor type select color	E4	Open
Monitor type select monochrome	E4	Closed
í Password enabled	E5	Open
Password disabled	E5	Closed

DRAM CONFIGURATION		
Size	Bank 0	Bank 1
4MB	(1) 1M x 32	None
5MB	(1) 1M x 32	(1) 256K x 32
8MB	(1) 1M x 32	(1) 1M x 32
16MB	(1) 4M x 32	None
17MB	(1) 4M x 32	(1) 256K x 32
20MB	(1) 4M x 32	(1) 1M x 32
32MB	(1) 4M x 32	(1) 4M x 32

CPU TYPE CONFIGURATION					
Type	E6	E7	E8	E9	E10
80486SX (PQFP)	1 & 2	Closed	2 & 3	1 & 2	2 & 3
80486SX (PGA)	1 & 2	Open	1 & 2	2 & 3	1 & 2
80487SX	1 & 2	Closed	2 & 3	1 & 2	2 & 3
ODP486	1 & 2	Closed	2 & 3	1 & 2	2 & 3
ODPR486	1 & 2	Closed	1 & 2	2 & 3	2 & 3
80486DX	1 & 2	Closed	1 & 2	2 & 3	2 & 3
80486DX2	1 & 2	Closed	1 & 2	2 & 3	2 & 3
P24T	2 & 3	Closed	2 & 3	1 & 2	2 & 3

Note: Pins designated should be in the closed position.

CPU SPEED CONFIGURATION	
Speed	E2
25MHz	Closed
33MHz	Open
50MHz	Closed
66MHz	Open