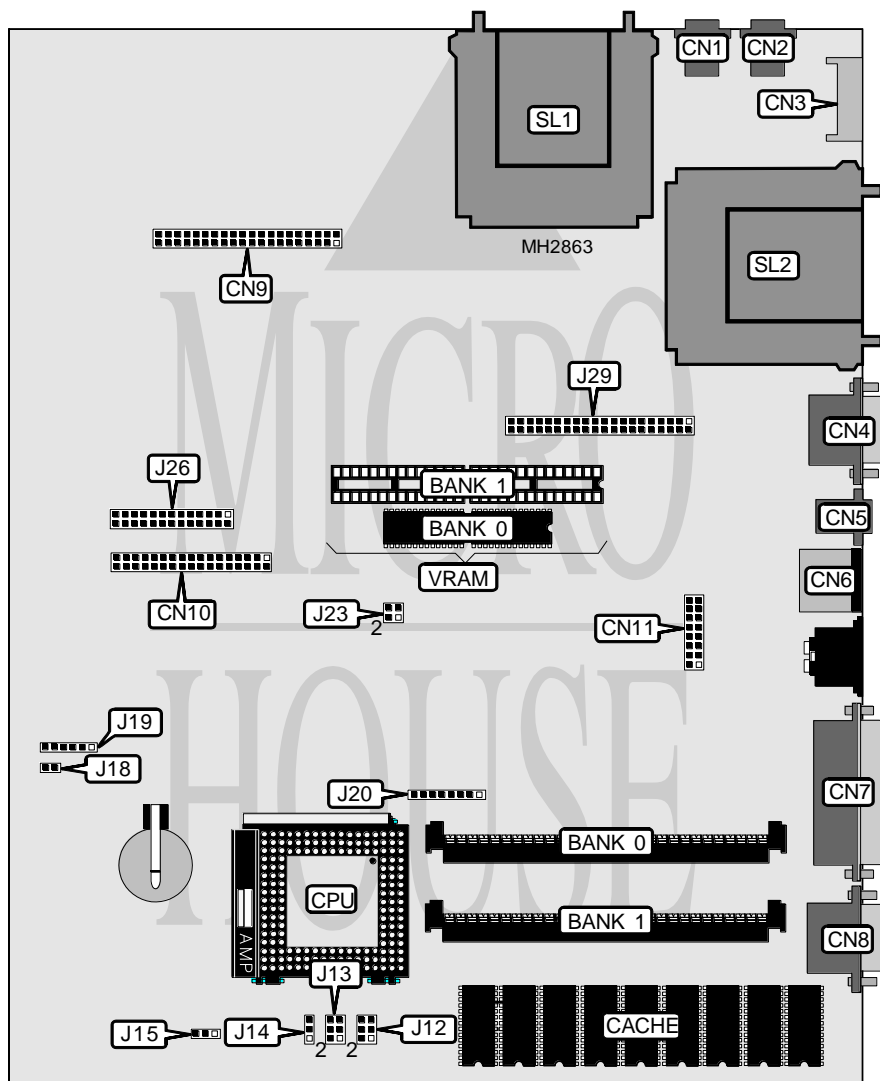


# TULIP COMPUTERS

## TULIP VISION LINE ID 4 66/100 (TC45)

<b>Processor</b>	80486DX2/80486DX4
<b>Processor Speed</b>	66(internal)/100(internal)MHz
<b>Chip Set</b>	Intel
<b>Max. Onboard DRAM</b>	64MB
<b>Cache</b>	256KB
<b>BIOS</b>	Unidentified
<b>Dimensions</b>	254mm x 218mm
<b>I/O Options</b>	PS/2 mouse port, parallel port, serial port, VGA port, network adapter, floppy drive interface, IDE interface, speaker/headphone port, microphone port, smartport, PCMCIA slots (2)
<b>NPU Options</b>	None



Continued on next page . . .

## TULIP COMPUTERS

## TULIP VISION LINE ID 4 66/100 (TC45)

... continued from previous page

CONNECTIONS			
Purpose	Location	Purpose	Location
Speaker/headphone port	CN1	Parallel port	CN7
Microphone port	CN2	Serial port	CN8
AC power	CN3	IDE interface	CN9
VGA port	CN4	Floppy drive interface	CN10
Network port	CN5	Smartport connector	CN11
PS/2 mouse port	CN6	PCMCIA slots	SL1 & SL2

USER CONFIGURABLE SETTINGS		
Function	Jumper	Position
í Factory configured - do not alter	J18	Open
í Factory configured - do not alter	J19	pins 1 & 2, 3 & 4, 5 & 6 closed
í Factory configured - do not alter	J20	pins 1 & 2, 3 & 4 closed
í Factory configured - do not alter	J26	Open
í Factory configured - do not alter	J29	Open

DRAM CONFIGURATION		
Size	Bank 0	Bank 1
8MB	(1) 2M x 36	NONE
12MB	(1) 2M x 36	(1) 1M x 36
16MB	(1) 2M x 36	(1) 2M x 36
16MB	(1) 4M x 36	NONE
20MB	(1) 4M x 36	(1) 1M x 36
24MB	(1) 2M x 36	(1) 4M x 36
24MB	(1) 4M x 36	(1) 2M x 36
32MB	(1) 4M x 36	(1) 4M x 36
32MB	(1) 8M x 36	NONE
36MB	(1) 8M x 36	(1) 1M x 36
40MB	(1) 2M x 36	(1) 8M x 36
40MB	(1) 8M x 36	(1) 2M x 36
48MB	(1) 4M x 36	(1) 8M x 36
48MB	(1) 8M x 36	(1) 4M x 36
64MB	(1) 8M x 36	(1) 8M x 36

CACHE CONFIGURATION	
Size	Bank 0
256KB	(9) 32K x 8
Note: Cache is factory installed and is not configurable.	

Continued on next page...

## TULIP COMPUTERS

## TULIP VISION LINE ID 4 66/100 (TC45)

... continued from previous page

CPU SPEED CONFIGURATION					
Speed	J12	J13	J14	J15	J23
66iMHz WT	1 & 3, 2 & 4	1 & 3, 2 & 4	1 & 2	1 & 2	1 & 3
66iMHz WB	1 & 3, 2 & 4	1 & 3, 2 & 4	1 & 2	2 & 3	1 & 3
100iMHz WT	3 & 5, 4 & 6	3 & 5, 4 & 6	2 & 3	1 & 2	1 & 3
100iMHz WB	3 & 5, 4 & 6	3 & 5, 4 & 6	2 & 3	2 & 3	1 & 3

Note: Pins designated should be in the closed position.

VRAM CONFIGURATION		
Size	Bank 0	Bank 1
1MB	(2) 256K x 16	NONE
2MB	(2) 256K x 16	(2) 256K x 16