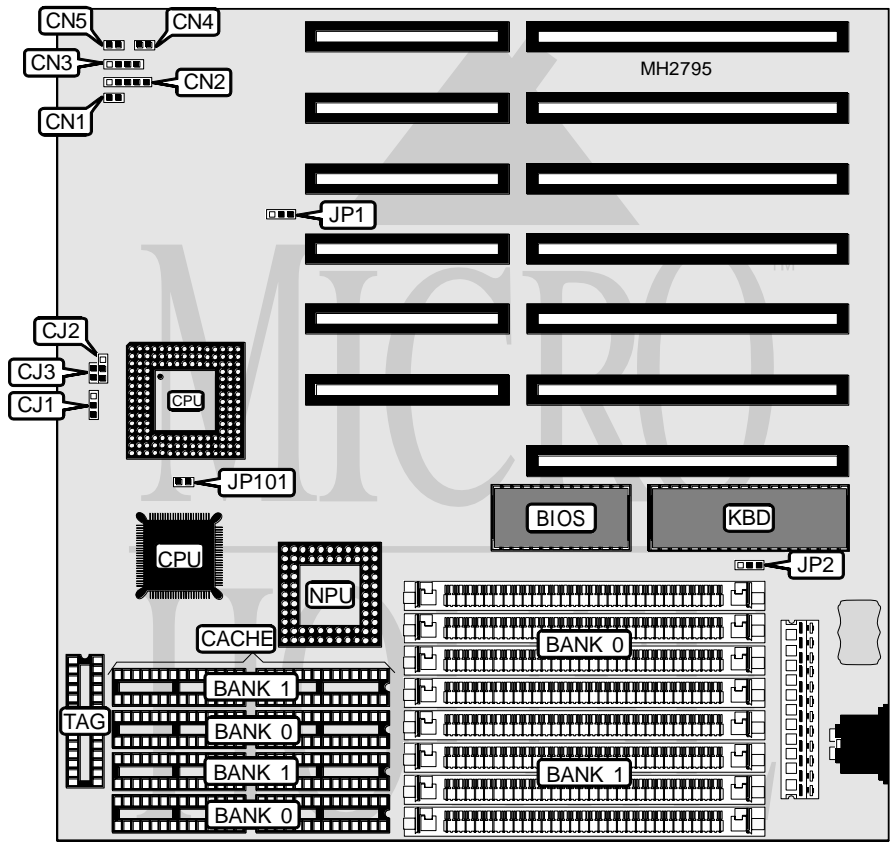


ASUS COMPUTER INTERNATIONAL ISA - 386 U3Q

Processor AM386DX/80386DX/CX486DLC
Processor Speed 33/40MHz
Chip Set UMC
Max. Onboard DRAM 32MB
Cache 64/128/256KB
BIOS AMI
Dimensions 234mm x 221mm
I/O Options None
NPU Options 80387DX/CX487DLC



CONNECTIONS			
Purpose	Location	Purpose	Location
Turbo LED	CN1	Turbo switch	CN4
Power LED & keylock	CN2	Reset switch	CN5
Speaker	CN3		

Continued on next page. . .

ASUS COMPUTER INTERNATIONAL

ISA - 386 U3Q

... continued from previous page

USER CONFIGURABLE SETTINGS		
Function	Jumper	Position
í NPU disabled	JP1	pins 1 & 2 closed
NPU enabled	JP1	pins 2 & 3 closed
í Monitor type select monochrome	JP2	pins 2 & 3 closed
Monitor type select color	JP2	pins 1 & 2 closed
í PQFP CPU disabled	JP101	Closed
PQFP CPU enabled	JP101	Open

DRAM CONFIGURATION		
Size	Bank 0	Bank 1
1MB	(4) 256K x 9	NONE
2MB	(4) 256K x 9	(4) 256K x 9
4MB	(4) 1M x 9	NONE
5MB	(4) 256K x 9	(4) 1M x 9
8MB	(4) 1M x 9	(4) 1M x 9
16MB	(4) 4M x 9	NONE
20MB	(4) 1M x 9	(4) 4M x 9
32MB	(4) 4M x 9	(4) 4M x 9

CACHE CONFIGURATION			
Size	Bank 0	Bank 1	TAG
64KB	(4) 8K x 8	(4) 8K x 8	(1) 8K x 8
128KB	(4) 32K x 8	NONE	(1) 8K x 8
256KB	(4) 32K x 8	(4) 32K x 8	(1) 32K x 8

CACHE JUMPER CONFIGURATION			
Size	CJ1	CJ2	CJ3
64KB	pins 2 & 3 closed	pins 2 & 3 closed	Open
128KB	pins 1 & 2 closed	Open	Closed
256KB	pins 1 & 2 closed	pins 1 & 2 closed	Open