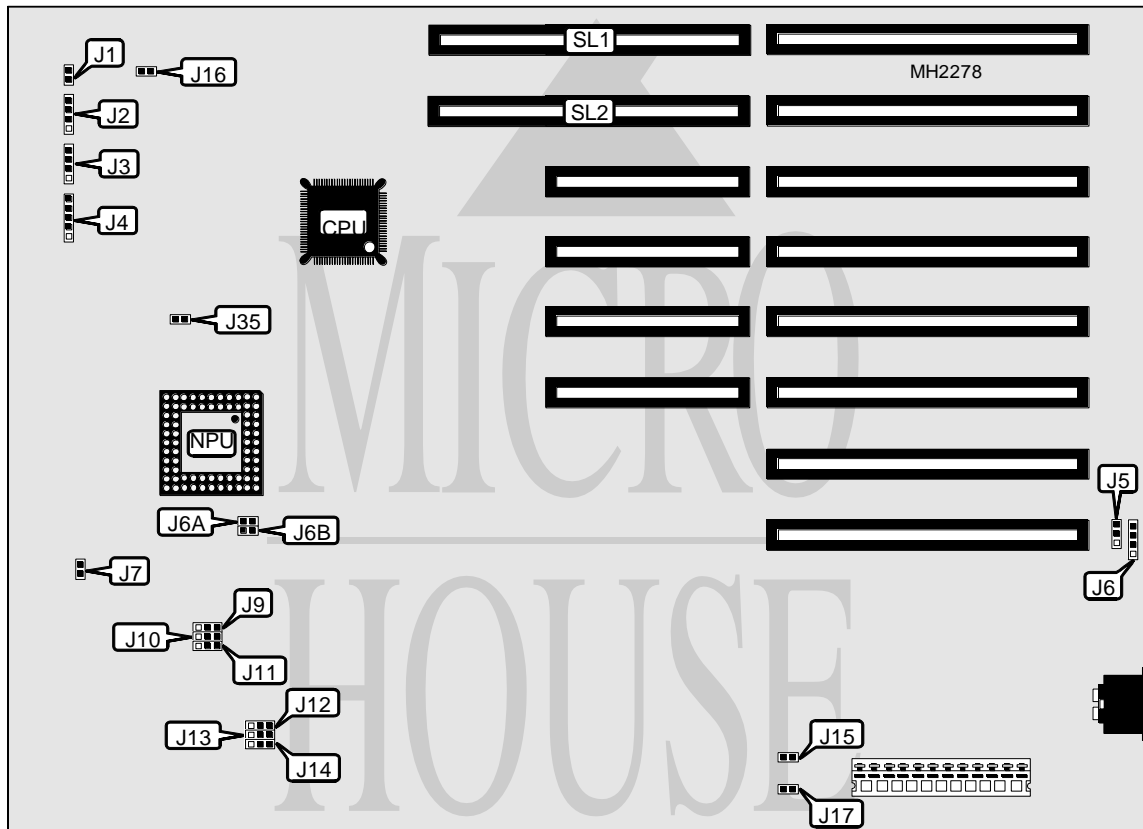


AUVA COMPUTER, INC. BABY 80386 TAM/20-II

Processor	80386SX
Processor Speed	20MHz
Chip Set	Unidentified
Max. Onboard DRAM	16MB (on external memory cards)
Cache	None
BIOS	Award/Phoenix
Dimensions	330mm x 218mm
I/O Options	32-bit external memory cards (2)
NPU Options	80387SX



CONNECTIONS			
Purpose	Location	Purpose	Location
Reset switch	J1	External battery	J6
Speaker	J2	Turbo switch	J16
Turbo LED	J3	32-bit external memory cards	SL1 & SL2
Power LED & keylock	J4		

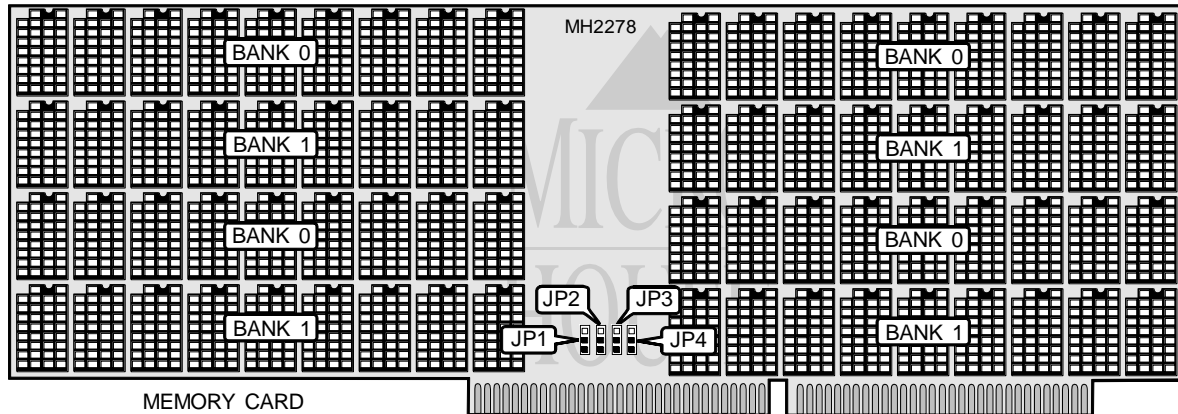
Continued on next page. . .

AUVA COMPUTER, INC.

BABY 80386 TAM/20-II

... continued from previous page

USER CONFIGURABLE SETTINGS		
Function	Jumper	Position
í Battery type select internal	J5	pins 2 & 3 closed
Battery type select external	J5	pins 1 & 2 closed
í CMOS memory normal operation	J12	pins 1 & 2 closed
CMOS memory clear	J12	pins 2 & 3 closed
í Oscillator speed select 40MHz	J13	pins 1 & 2 closed
Oscillator speed select 32MHz	J13	pins 2 & 3 closed
í I/O clock speed select 40MHz	J14	pins 2 & 3 closed
I/O clock speed select 32MHz	J14	pins 1 & 2 closed
í Pipeline mode enabled	J15	Closed
Pipeline mode disabled	J15	Open
í Turbo enabled	J16	Closed
Turbo disabled	J16	Open
í Monitor type select color	J17	Closed
Monitor type select monochrome	J17	Open



DRAM CONFIGURATION				
Size	Bank 0 (A)	Bank 1 (A)	Bank 0 (B)	Bank 1 (B)
1MB	(36) 41256	NONE	NONE	NONE
2MB	(36) 41256	(36) 41256	NONE	NONE
4MB	(36) 411000	NONE	NONE	NONE
8MB	(36) 411000	(36) 411000	NONE	NONE
10MB	(36) 411000	(36) 411000	(36) 41256	(36) 41256
16MB	(36) 411000	(36) 411000	(36) 411000	(36) 411000

Note: If 10MB or 16MB is desired, two memory cards must be installed on mainboard. Banks 0 (A) & 1 (A) are located on the first memory card. Banks 0 (B) & 1 (B) are located on the second memory card. Above card shows banks for reference only.

MEMORY CARD JUMPER CONFIGURATION				
Cards installed	JP1	JP2	JP3	JP4
1	pins 1 & 2 closed	pins 1 & 2 closed	pins 1 & 2 closed	pins 1 & 2 closed
2	pins 2 & 3 closed	pins 2 & 3 closed	pins 2 & 3 closed	pins 2 & 3 closed

Continued on next page. . .

AUVA COMPUTER, INC.
BABY 80386 TAM/20-II

... continued from previous page

NPU CONFIGURATION					
Type	J6A	J6B	J9	J10	J11
Installed	Closed	Closed	2 & 3	2 & 3	2 & 3
Not installed	Open	Open	1 & 2	1 & 2	1 & 2
Note: Pins designated should be in the closed position.					

NPU MODE CONFIGURATION		
Speed	J7	J35
Asynchronous	Closed	Closed
Synchronous	Open	Open