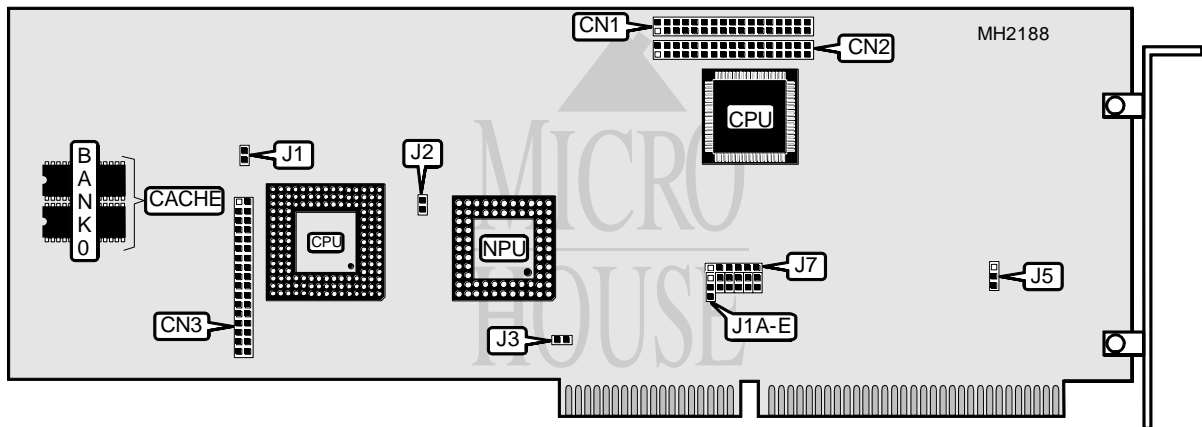


ORCHID TECHNOLOGY

JET 386

Processor	80286/80386SX
Processor Speed	16MHz
Chip Set	None
Max. Onboard DRAM	8MB (on external memory card)
Cache	64KB
BIOS	AMI/Award/Phoenix/ERSO
Dimensions	260mm x 140mm
I/O Options	External memory card
NPU Options	80287/80387



CONNECTIONS

Purpose	Location	Purpose	Location
L-shaped connector	CN1	External memory slot	CN3
L-shaped connector	CN2	Math coprocessor cable connector	J7

USER CONFIGURABLE SETTINGS

Function	Jumper	Position
Memory board select EMS	J1	Open
Memory board select EEMS	J1	Closed
Factory configured - do not alter	J5	Open

CACHE CONFIGURATION

Size	Bank 0
64KB	(2) 32K x 8

Note: Bank 0 is factory installed and is not configurable.

NUMERIC PROCESSOR CONFIGURATION

Type	J1A	J1B	J1C	J1D	J1E	J2	J3
Not installed	Closed	Closed	Closed	Closed	Closed	N/A	N/A
80287 (on mainboard)	Closed	Closed	Closed	Closed	Closed	N/A	N/A
80287 (on Jet board)	pins 2 & 3 closed	Open	Open	Open	Open	N/A	Closed
80387 (on Jet board)	pins 2 & 3 closed	Open	Open	Open	Open	Closed	Open