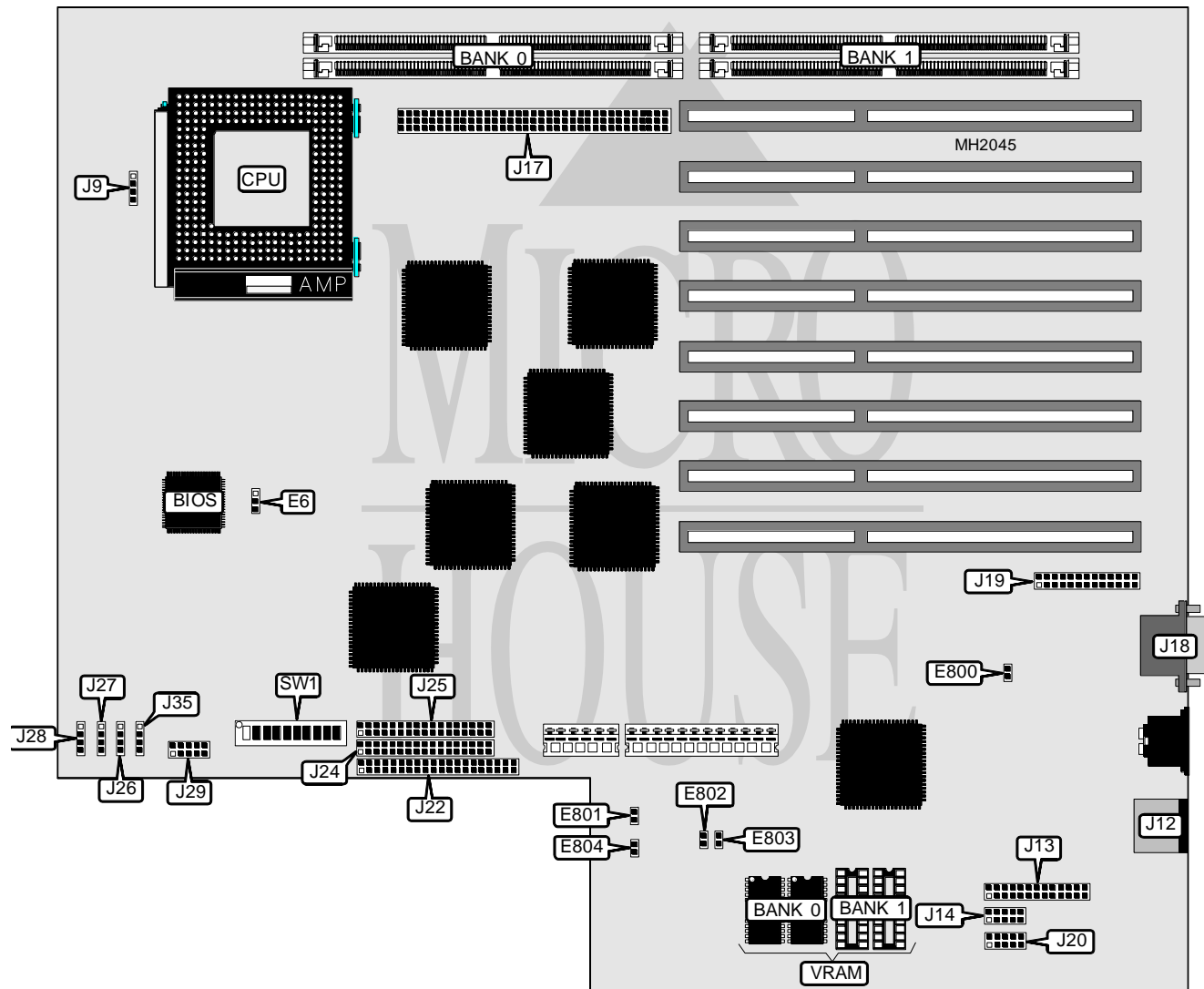


# AST RESEARCH, INC. PREMMIA SE

<b>Processor</b>	80486SX/80486DX/80486DX2/Pentium Overdrive/Pentium
<b>Processor Speed</b>	25/33/50(internal)/66(internal)MHz
<b>Chip Set</b>	AST
<b>Max. Onboard DRAM</b>	128MB
<b>Cache</b>	64/128/256KB (with external cache card installed)
<b>BIOS</b>	AST
<b>Dimensions</b>	330mm x 218mm
<b>I/O Options</b>	Floppy drive interfaces (2), IDE interface, parallel port, PS/2 mouse port, serial ports (2), VGA feature connector, VGA port, SCSI backplane card
<b>NPU Options</b>	None



Continued next page...

# AST RESEARCH, INC.

## PREMMIA SE

... continued from previous page.

CONNECTIONS			
Purpose	Location	Purpose	Location
Chassis fan power	J9	IDE interface	J22
PS/2 mouse port	J12	Floppy drive interface (primary)	J24
Parallel port	J13	Floppy drive interface (secondary)	J25
Serial port 1	J14	External battery	J26
Pentium/Cache upgrade connector	J17	Speaker	J27
VGA port	J18	Chassis fan power	J28
VGA feature connector	J19	Control console connector	J29
Serial port 2	J20	IDE interface LED	J35

USER CONFIGURABLE SETTINGS		
Function	Jumper/Switch	Position
í Flash BIOS type select 5v - 5volt	E6	pins 2 & 3 closed
Flash BIOS type select 12v - 12volt	E6	pins 1 & 2 closed
í Factory configured - do not alter	E800	pins 1 & 2 closed
í Factory configured - do not alter	E801	pins 2 & 3 closed
í Factory configured - do not alter	E802	pins 2 & 3 closed
í Factory configured - do not alter	E803	pins 1 & 2 closed
í Factory configured - do not alter	E804	pins 1 & 2 closed
í On board video enabled	SW1/1	On
On board video disabled	SW1/1	Off
í Factory configured - do not alter	SW1/2	Off
í EISA CMOS memory normal operation	SW1/3	Off
EISA CMOS memory clear	SW1/3	On
í Boot type select normal	SW1/4	Off
Boot type select flash BIOS update	SW1/4	On
í Password disabled	SW1/5	On
Password enabled	SW1/5	Off
í Factory configured - do not alter	SW1/6	Off
í System setup type select allow access	SW1/7	Off
System setup type select deny access	SW1/7	On
í Factory configured - do not alter	SW1/8	Off
í I/O port address select 0398h	SW1/9	On
I/O port address select 026Eh	SW1/9	Off
í Factory configured - do not alter	SW1/10	Off

Continued next page...

AST RESEARCH, INC.  
PREMMIA SE

... continued from previous page.

DRAM CONFIGURATION		
Size	Bank 0	Bank 1
2MB	(2) 256K x 36	NONE
4MB	(2) 256K x 36	(2) 256K x 36
4MB	(2) 512K x 36	NONE
6MB	(2) 256K x 36	(2) 512K x 36
8MB	(2) 512K x 36	(2) 512K x 36
10MB	(2) 256K x 36	(2) 1M x 36
12MB	(2) 512K x 36	(2) 1M x 36
16MB	(2) 2M x 36	NONE
18MB	(2) 256K x 36	(2) 2M x 36
20MB	(2) 512K x 36	(2) 2M x 36
24MB	(2) 1M x 36	(2) 2M x 36
32MB	(2) 2M x 36	(2) 2M x 36
32MB	(2) 4M x 36	NONE
34MB	(2) 256K x 36	(2) 4M x 36
36MB	(2) 512K x 36	(2) 4M x 36
40MB	(2) 1M x 36	(2) 4M x 36
48MB	(2) 2M x 36	(2) 4M x 36
64MB	(2) 4M x 36	(2) 4M x 36
64MB	(2) 8M x 36	NONE
66MB	(2) 256K x 36	(2) 8M x 36
68MB	(2) 512K x 36	(2) 8M x 36
72MB	(2) 1M x 36	(2) 8M x 36
80MB	(2) 2M x 36	(2) 8M x 36
96MB	(2) 4M x 36	(2) 8M x 36
128MB	(2) 8M x 36	(2) 8M x 36

VIDEO MEMORY CONFIGURATION		
Size	Bank 0	Bank 1
515KB	(2) 256K x 4	NONE
1MB	(2) 256K x 4	(2) 256K x 4

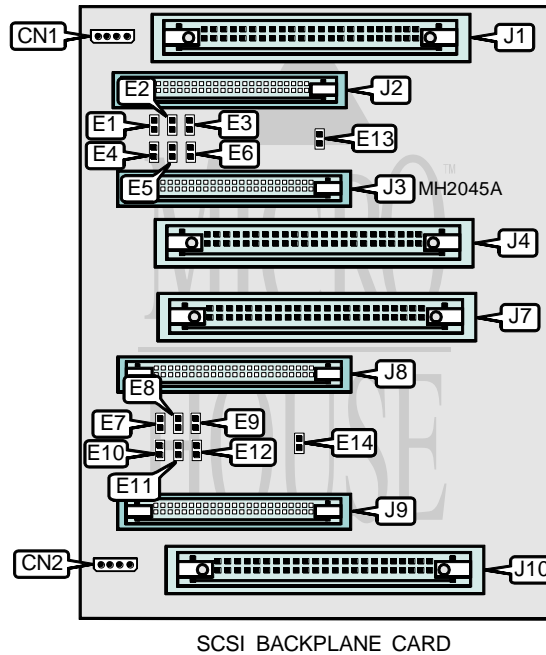
Note: Bank 0- is factory installed and is not configurable.

MISCELLANEOUS TECHNICAL NOTE
Note: CPU speed is dependent upon main board model.

Continued next page...

AST RESEARCH, INC.  
PREMMIA SE

... continued from previous page.



CONNECTIONS			
Purpose	Location	Purpose	Location
DC power connector 1	CN1	SCSI connector	J4
DC power connector 2	CN2	SCSI connector	J7
SCSI connector	J1	SCSI drive cage connector	J8
SCSI drive cage connector	J2	SCSI drive cage connector	J9
SCSI drive cage connector	J3	SCSI connector	J10

USER CONFIGURABLE SETTINGS			
Function	Jumper	Position	
Terminator power jumper enabled	E13	Closed	
Terminator power jumper disabled	E13	Open	
Terminator power jumper enabled	E14	Closed	
Terminator power jumper disabled	E14	Open	

Continued next page...

# AST RESEARCH, INC.

## PREMMIA SE

... continued from previous page.

SCSI ID CONFIGURATION (J1)			
Setting	E1	E2	E3
ID0	Open	Open	Open
ID1	Closed	Open	Open
ID2	Open	Closed	Open
ID3	Closed	Closed	Open
ID4	Open	Open	Closed
ID5	Closed	Open	Closed
ID6	Open	Closed	Closed
ID7	N/A	N/A	N/A

Note: ID7 is factory reserved - do not alter.

SCSI ID CONFIGURATION (J4)			
Setting	E4	E5	E6
ID0	Open	Open	Open
ID1	Closed	Open	Open
ID2	Open	Closed	Open
ID3	Closed	Closed	Open
ID4	Open	Open	Closed
ID5	Closed	Open	Closed
ID6	Open	Closed	Closed
ID7	N/A	N/A	N/A

Note: ID7 is factory reserved - do not alter.

SCSI ID CONFIGURATION (J7)			
Setting	E7	E8	E9
ID0	Open	Open	Open
ID1	Closed	Open	Open
ID2	Open	Closed	Open
ID3	Closed	Closed	Open
ID4	Open	Open	Closed
ID5	Closed	Open	Closed
ID6	Open	Closed	Closed
ID7	N/A	N/A	N/A

Note: ID7 is factory reserved - do not alter.

SCSI ID CONFIGURATION (J10)			
Setting	E10	E11	E12
ID0	Open	Open	Open
ID1	Closed	Open	Open
ID2	Open	Closed	Open
ID3	Closed	Closed	Open
ID4	Open	Open	Closed
ID5	Closed	Open	Closed
ID6	Open	Closed	Closed
ID7	N/A	N/A	N/A

Note: ID7 is factory reserved - do not alter.