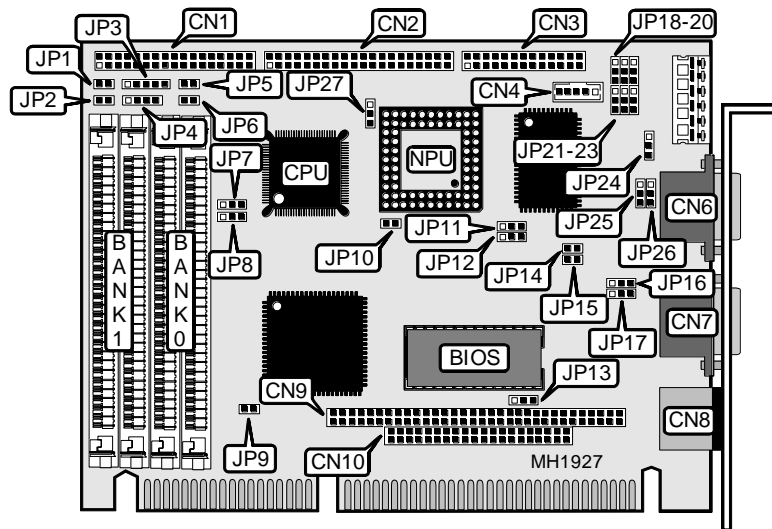


# INTERLOGIC INDUSTRIES

## ASC386SX/486SLC VER.C

<b>Processor</b>	80386SX/CX486SLC
<b>Processor Speed</b>	33/40MHz
<b>Chip Set</b>	ALI
<b>Max. Onboard DRAM</b>	16MB
<b>Cache</b>	None
<b>BIOS</b>	AM
<b>Dimensions</b>	156mm x 121mm
<b>I/O Options</b>	Floppy drive interface, IDE interface, parallel port, serial ports (2)
<b>NPU Options</b>	80387SX



CONNECTIONS			
Purpose	Location	Purpose	Location
Floppy drive interface	CN1	Video module (PC/104) interface	CN10
IDE interface	CN2	Reset switch	JP1
Parallel port	CN3	IDE interface LED	JP2
Keyboard connector	CN4	Power LED & keylock	JP3
Serial port 1	CN6	Speaker	JP4
Serial port 2	CN7	Turbo switch	JP5
Keyboard port	CN8	Turbo LED	JP6
Video module (PC/104) interface	CN9		

*Continued next page...*

# INTERLOGIC INDUSTRIES

## ASC386SX/486SLC VER.C

... continued from previous page.

USER CONFIGURABLE SETTINGS		
Function	Jumper	Position
í Parity enabled	JP9	Open
Parity disabled	JP9	Closed
í Monitor type select monochrome	JP10	Open
Monitor type select color	JP10	Closed
í Parallel port unidirectional (printer)	JP14	Closed
Parallel port bidirectional	JP14	Open
í Watch-dog timer disabled	JP17	Open
Watch-dog timer is reset after time-out period ends	JP17	pins 1 & 2 closed
Activate NMI to CPU when watch-dog timer time-out period ends	JP17	pins 2 & 3 closed
í IDE interface is not a Special Designed XT	JP20	pins 2 & 3 closed
IDE interface is a Special Designed XT	JP20	pins 1 & 2 closed
í Floppy drive interface enabled	JP24	pins 1 & 2 closed
Floppy drive interface disabled	JP24	pins 2 & 3 closed
í IDE interface enabled	JP25	pins 1 & 2 closed
IDE interface disabled	JP25	pins 2 & 3 closed
í NPU synchronous with CPU	JP27	pins 1 & 2 closed
NPU asynchronous	JP27	pins 2 & 3 closed

SERIAL PORT CONFIGURATION					
Port 1 (CN6)	Port 2 (CN7)	JP18	JP19	JP21	JP23
3F8h - 3FFh	2F8h - 2FFh	pins 1 & 2	pins 1 & 2	pins 1 & 2	pins 1 & 2
3F8h - 3FFh	Disabled	pins 1 & 2	pins 1 & 2	N/A	pins 2 & 3
Disabled	2F8h - 2FFh	pins 2 & 3	N/A	pins 1 & 2	pins 1 & 2
3E8h - 3EFh	2E8h - 2EFh	pins 1 & 2	pins 2 & 3	pins 2 & 3	pins 1 & 2
3E8h - 3EFh	Disabled	pins 1 & 2	pins 2 & 3	N/A	pins 2 & 3
Disabled	2E8h - 2EFh	pins 2 & 3	N/A	pins 2 & 3	pins 1 & 2
Disabled	Disabled	pins 2 & 3	N/A	N/A	pins 2 & 3

Note: pins designated should be in the closed position.

SERIAL PORT INTERRUPT SELECT			
Port 1 (CN6)	Port 2 (CN7)	JP11	JP12
IRQ4	IRQ3	pins 2 & 3 closed	pins 1 & 2 closed
IRQ3	IRQ4	pins 1 & 2 closed	pins 2 & 3 closed

DRAM CONFIGURATION		
Size	Bank 0	Bank 1
512KB	(2) 256K x 9	NONE
1MB	(2) 256K x 9	(2) 256K x 9
2MB	(2) 1M x 9	NONE
4MB	(2) 1M x 9	(2) 1M x 9
8MB	(2) 4M x 9	NONE
16MB	(2) 4M x 9	(2) 4M x 9

Continued on next page. . .

# INTERLOGIC INDUSTRIES

## ASC386SX/486SLC VER.C

... continued from previous page

WATCHDOG TIMER TIME-OUT CONFIGURATION		
Time-out period	JP15	JP16
500ms	Closed	pins 1 & 2 closed
1 second	Open	pins 1 & 2 closed
2.5 seconds	Closed	pins 2 & 3 closed
5 seconds	Open	pins 2 & 3 closed

BUS CLOCK SETTING			
33Mhz CPU	40Mhz CPU	JP7	JP8
6.6Mhz bus clock	8Mhz bus clock	pins 1 & 2 closed	pins 1 & 2 closed
8.25Mhz bus clock	10Mhz bus clock	pins 2 & 3 closed	pins 2 & 3 closed
11Mhz bus clock	13.33Mhz bus clock	pins 1 & 2 closed	pins 2 & 3 closed
13.2Mhz bus clock	16Mhz bus clock	pins 2 & 3 closed	pins 1 & 2 closed

PARALLEL PORT CONFIGURATION			
Port	JP13	JP22	JP26
í 378h/IRQ7	pins 1 & 2 closed	pins 1 & 2 closed	pins 1 & 2 closed
378h/IRQ5	pins 2 & 3 closed	pins 1 & 2 closed	pins 1 & 2 closed
278h/IRQ5	pins 2 & 3 closed	pins 1 & 2 closed	pins 2 & 3 closed
278h/IRQ7	pins 1 & 2 closed	pins 1 & 2 closed	pins 2 & 3 closed
Disabled	N/A	pins 2 & 3 closed	N/A