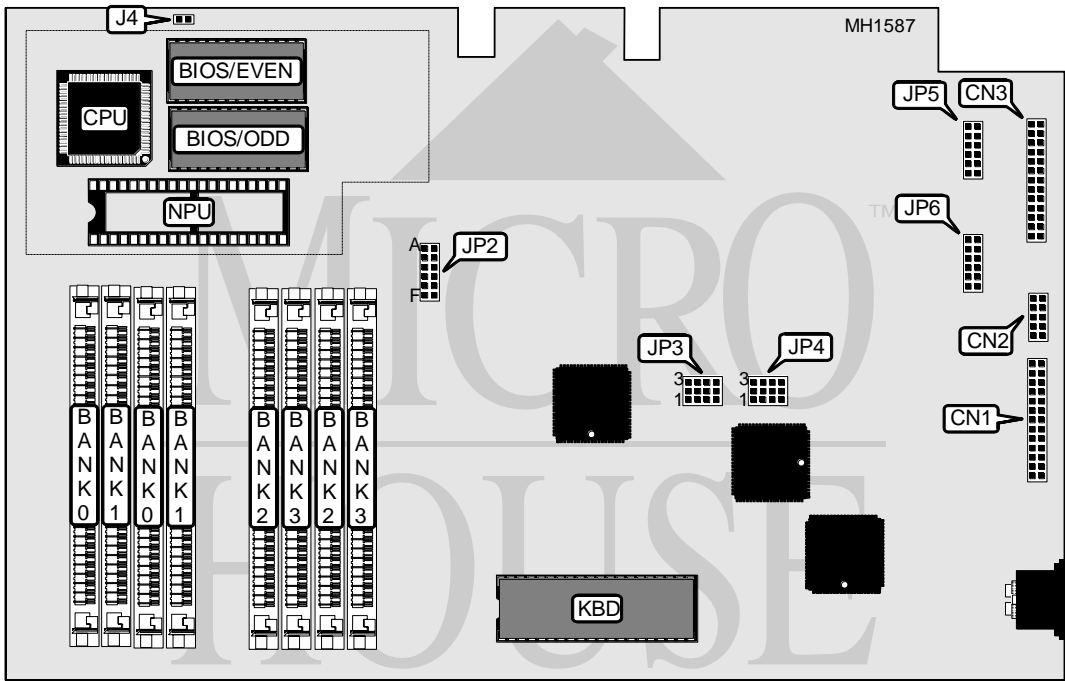
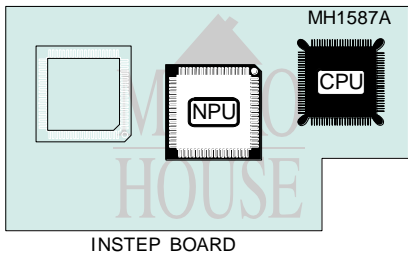


EVEREX SYSTEMS, INC.
TEMPO 286/12C EV-2613(E)

Processor 80286/80386SX (with instep board)
Processor Speed 16MHz
Chip Set C & T
Max. onboard DRAM 8MB
Cache NONE
BIOS AMI
Dimensions 355mm x 304mm
I/O Options Parallel port, serial ports (2)
NPU Options 80287/80387SX (with instep board)



CONNECTIONS			
Purpose	Location	Purpose	Location
Parallel port	CN1	Serial port 0 (25 pin)	CN3
Serial port 1 (9 pin)	CN2		



Note: To install Instep Board, remove 80286 CPU.

Continued on next page . . .

EVEREX SYSTEMS, INC.
TEMPO 286/12C EV-2613(E)

... continued from previous page

USER CONFIGURABLE SETTINGS		
Function	Jumper	Position
í IDE interface enabled	J4	Open
IDE interface disabled	J4	Closed

SYSTEM DRAM CONFIGURATION				
Size	Bank 0	Bank 1	Bank 2	Bank 3
512KB	(2) 256K x 9	NONE	NONE	NONE
1MB	(2) 256K x 9	(2) 256K x 9	NONE	NONE
2MB	(2) 1M x 9	NONE	NONE	NONE
2.5MB	(2) 1M x 9	(2) 256K x 9	NONE	NONE
2.5MB	(2) 256K x 9	(2) 1M x 9	NONE	NONE
4MB	(2) 1M x 9	(2) 1M x 9	NONE	NONE
6MB	(2) 1M x 9	(2) 1M x 9	(2) 1M x 9	NONE
8MB	(2) 1M x 9	(2) 1M x 9	(2) 1M x 9	(2) 1M x 9

HANDSHAKING CONFIGURATION					
DCD	CTS	DSR	RI	JP3	JP4
Enabled	Enabled	Enabled	Enabled	pins 1 & 2 closed	pins 2 & 3 closed
Disabled	Disabled	Disabled	Disabled	pins 2 & 3 closed	pins 1 & 2 closed

SERIAL PORT CONFIGURATION							
CN2/9-pin serial	CN3/25-pin serial	JP2/A	JP2/B	JP2/C	JP2/D	JP2/E	JP2/F
IRQ3	IRQ4	Open	Open	Closed	Open	Open	Closed
IRQ4	IRQ3	Open	Open	Open	Closed	Closed	Open

PARALLEL PORT CONFIGURATION							
CN1/25-pin parallel	JP2/A	JP2/B	JP2/C	JP2/D	JP2/E	JP2/F	
IRQ7	Closed	Open	Open	Open	Open	Open	
IRQ5	Open	Closed	Open	Open	Open	Open	

DTE/DCE CONFIGURATION			
Port	Mode	Jumper	Setting
0	DCE	JP5	
0	DTE	JP5	

DTE/DCE CONFIGURATION			
Port	Mode	Jumper	Setting
1	DCE	JP6	
1	DTE	JP6	