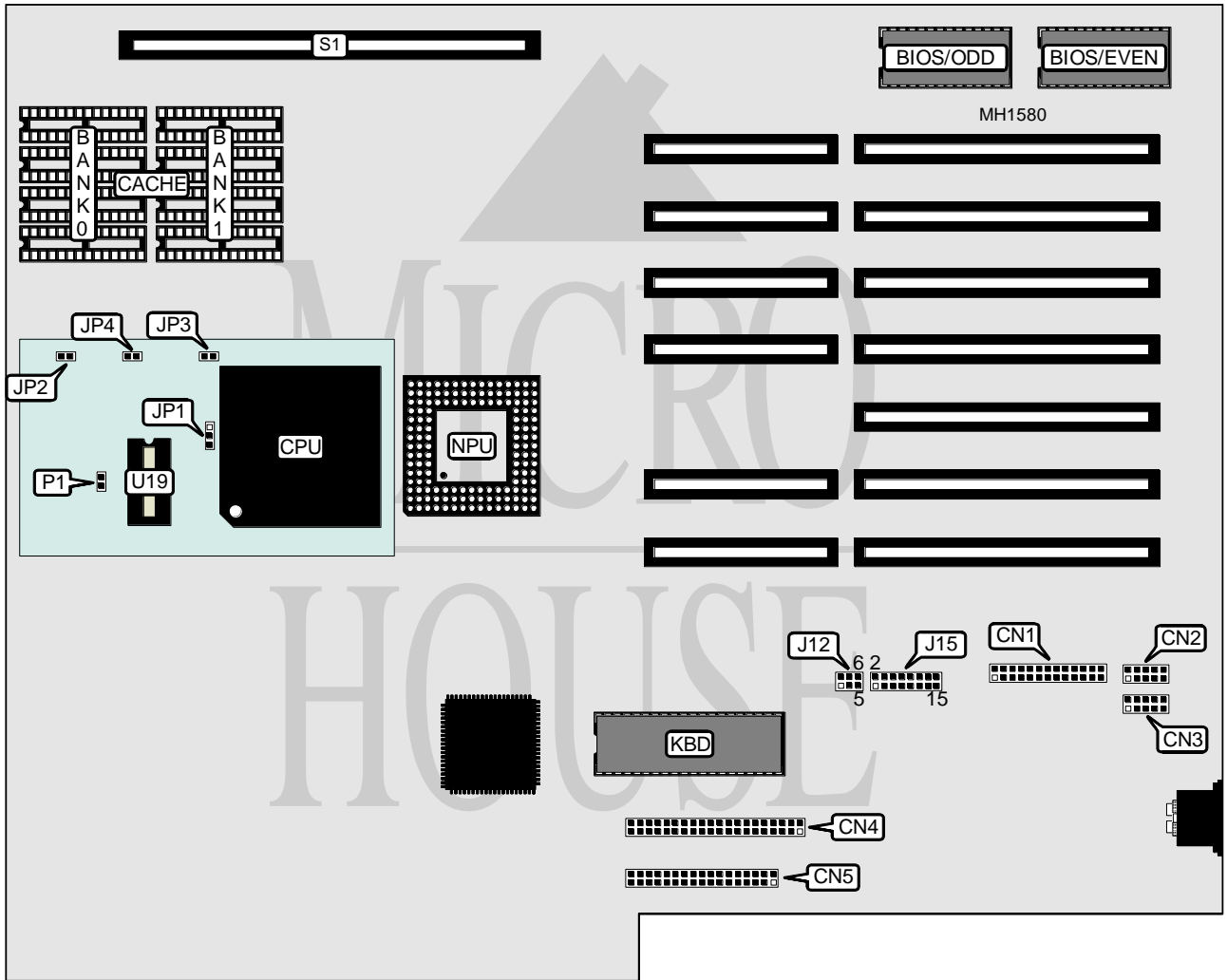


**EVEREX SYSTEMS, INC.**  
**STEP 486SX20 (EV-18116)**

<b>Processor</b>	80486SX/80487SX/80486DX
<b>Processor Speed</b>	20/25MHz
<b>Chip Set</b>	C & T
<b>Max. onboard DRAM</b>	32MB
<b>Cache</b>	128/256KB
<b>BIOS</b>	AMI
<b>Dimensions</b>	330mm x 218mm
<b>I/O Options</b>	32-bit external memory card, floppy drive interface, IDE interface, parallel port, serial ports (2)
<b>NPU Options</b>	4167



Continued on next page . . .

## EVEREX SYSTEMS, INC.

## STEP 486SX20 (EV-18116)

... continued from previous page

CONNECTIONS			
Purpose	Location	Purpose	Location
Parallel port	CN1	Floppy drive interface	CN5
Serial port (COM1)	CN2	32-bit external memory card	S1
Serial port (COM2)	CN3	Instep socket	U19
IDE interface	CN4		

CACHE CONFIGURATION			
Size	Max Cachable	Bank 0	Bank 1
128KB	16MB	(4) 32K x 8	NONE
256KB	32MB	(8) 32K x 8	Banks 0 & 1

CACHE JUMPER CONFIGURATION	
Size	P1
128KB	pins 2 & 3 closed
256KB	pins 2 & 3 closed

SERIAL PORT 1 CONFIGURATION				
COM1	J15/1 & 2	J15/3 & 4	J15/5 & 6	J15/7 & 8
IRQ3	Open	Closed	Open	Open
IRQ4	Open	Open	Closed	Open
IRQ5	Open	Open	Open	Closed
IRQ9	Closed	Open	Open	Open

SERIAL PORT CONFIGURATION				
COM2	J15/9 & 10	J15/11 & 12	J15/13 & 14	J15/15 & 16
IRQ3	Open	Closed	Open	Open
IRQ4	Open	Open	Closed	Open
IRQ5	Open	Open	Open	Closed
IRQ9	Closed	Open	Open	Open

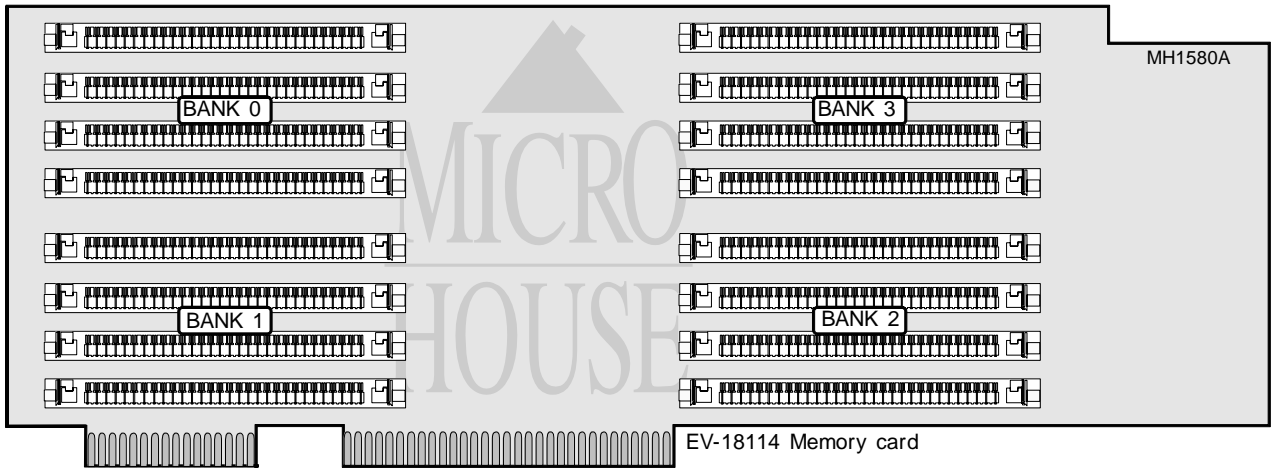
PARALLEL PORT CONFIGURATION			
LPT 2	J12/pins 1 & 2	J12/pins 3 & 4	J12/pins 5 & 6
IRQ5	Open	Closed	Open
IRQ7	Open	Open	Closed
IRQ9	Closed	Open	Open

CPU TYPE CONFIGURATION				
Type	JP1	JP2	JP3	JP4
80486SX	pins 1 & 2 closed	Open	Open	Open
80487SX	pins 2 & 3 closed	Closed	Closed	Open
80486DX	pins 2 & 3 closed	Closed	Open	Closed

Continued on next page . . .

EVEREX SYSTEMS, INC.  
STEP 486SX20 (EV-18116)

.. continued from previous page



DRAM CONFIGURATION				
Size	Bank 0	Bank 1	Bank 2	Bank 3
1MB	(4) 256K x 9	NONE	NONE	NONE
2MB	(4) 256K x 9	(4) 256K x 9	NONE	NONE
3MB	(4) 256K x 9	(4) 256K x 9	(4) 256K x 9	NONE
4MB	(4) 256K x 9	(4) 256K x 9	(4) 256K x 9	(4) 256K x 9
4MB	(4) 1M x 9	NONE	NONE	NONE
5MB	(4) 1M x 9	(4) 256K x 9	NONE	NONE
6MB	(4) 1M x 9	(4) 256K x 9	(4) 256K x 9	NONE
7MB	(4) 1M x 9	(4) 256K x 9	(4) 256K x 9	(4) 256K x 9
8MB	(4) 1M x 9	(4) 1M x 9	NONE	NONE
9MB	(4) 1M x 9	(4) 1M x 9	(4) 256K x 9	NONE
10MB	(4) 1M x 9	(4) 1M x 9	(4) 256K x 9	(4) 256K x 9
12MB	(4) 1M x 9	(4) 1M x 9	(4) 1M x 9	NONE
13MB	(4) 1M x 9	(4) 1M x 9	(4) 1M x 9	(4) 256K x 9
16MB	(4) 1M x 9	(4) 1M x 9	(4) 1M x 9	(4) 1M x 9
16MB	(4) 4M x 9	NONE	NONE	NONE
17MB	(4) 4M x 9	(4) 256K x 9	NONE	NONE
18MB	(4) 4M x 9	(4) 256K x 9	(4) 256K x 9	NONE
20MB	(4) 4M x 9	(4) 1M x 9	NONE	NONE
21MB	(4) 4M x 9	(4) 1M x 9	(4) 256K x 9	NONE
22MB	(4) 4M x 9	(4) 1M x 9	(4) 256K x 9	(4) 256K x 9
24MB	(4) 4M x 9	(4) 1M x 9	(4) 1M x 9	NONE
25MB	(4) 4M x 9	(4) 1M x 9	(4) 1M x 9	(4) 256K x 9
28MB	(4) 4M x 9	(4) 1M x 9	(4) 1M x 9	(4) 1M x 9

Continued on next page . . .

## EVEREX SYSTEMS, INC.

## STEP 486SX20 (EV-18116)

... continued from previous page

DRAM CONFIGURATION CON'T				
32MB	(4) 4M x 9	(4) 4M x 9	NONE	NONE
33MB	(4) 4M x 9	(4) 4M x 9	(4) 256K x 9	NONE
34MB	(4) 4M x 9	(4) 4M x 9	(4) 256K x 9	(4) 256K x 9
36MB	(4) 4M x 9	(4) 4M x 9	(4) 1M x 9	NONE
37MB	(4) 4M x 9	(4) 4M x 9	(4) 1M x 9	(4) 256K x 9
40MB	(4) 4M x 9	(4) 1M x 9	(4) 1M x 9	(4) 4M x 9
48MB	(4) 4M x 9	(4) 4M x 9	(4) 4M x 9	NONE
49MB	(4) 4M x 9	(4) 4M x 9	(4) 4M x 9	(4) 256K x 9
52MB	(4) 4M x 9	(4) 4M x 9	(4) 4M x 9	(4) 1M x 9
64MB	(4) 4M x 9	(4) 4M x 9	(4) 4M x 9	(4) 4M x 9