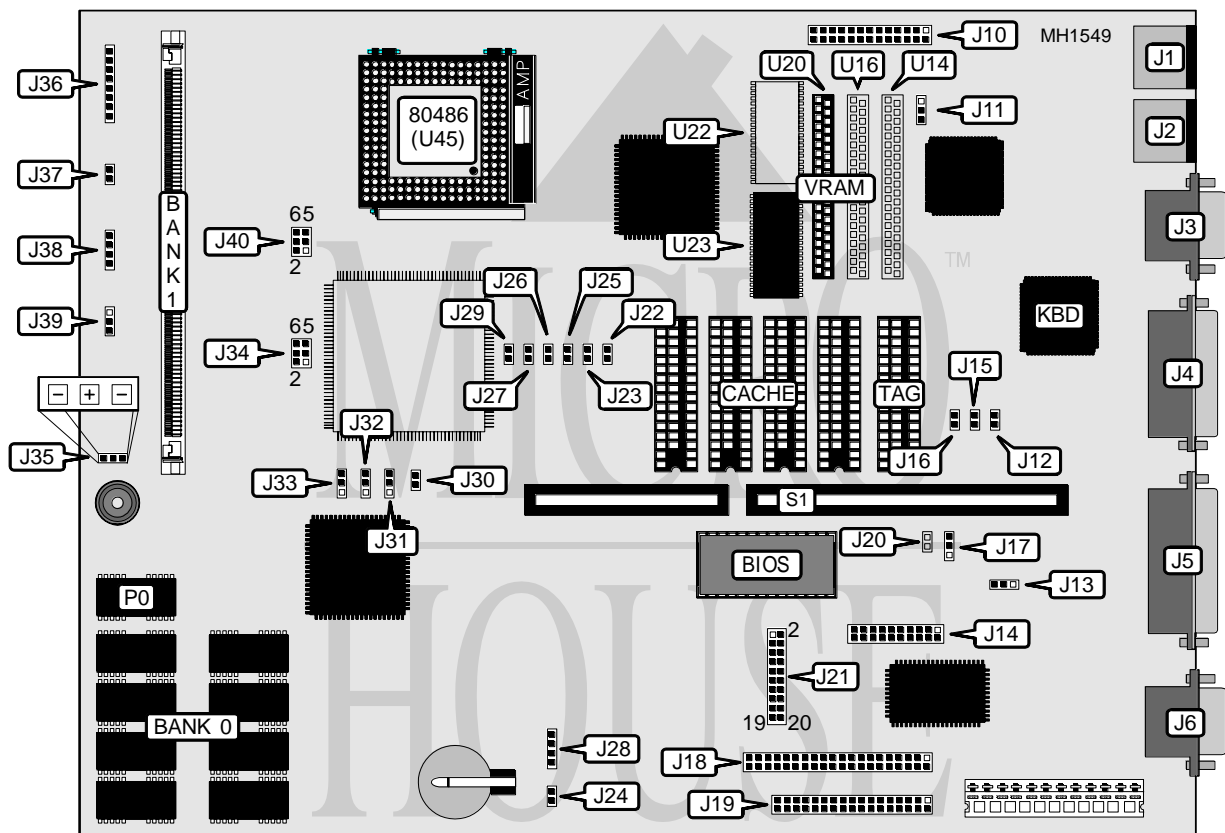


PACKARD BELL PB410 & PB420/420T (REVISION C)

Processor 80486SX/80487SX/80486DX/ODP486SX/80486DX2
Processor Speed 20/25/33/40/50(internal)/66(internal)MHz
Chip Set ACC
Max. onboard DRAM 36MB
SRAM Cache 32/128/512KB
BIOS Phoenix
Dimensions 330mm x 240mm
I/O Options Fax/modem daughterboard, floppy drive interface, game port, IDE interface, multi-function connector (IDE interface LED, reset, keylock, turbo switch, turbo-LED, non-turbo LED), parallel port, PS/2 keyboard port, PS/2 mouse port, serial port, VGA port, video feature connector connector
NPU Options None



CONNECTIONS			
Purpose	Location	Purpose	Location
PS/2 keyboard	J1	Floppy drive interface	J19
PS/2 mouse	J2	Proprietary fax/modem daughterboard	J21
VGA port	J3	External battery	J28
Game port	J4	External fan power (+12V DC)	J35
Parallel port	J5	Multi-function connector	J36
Serial port	J6	Keylock	J37
Video feature connector	J10	Speaker	J38
Audio interface connector (unused)	J14	Riser card	S1
IDE interface	J18		

Continued on next page . . .

PACKARD BELL

PB410 & PB420/420T (REVISION C)

... continued from previous page

USER CONFIGURABLE SETTINGS		
Function	Jumper/Switch	Position
í Onboard Game port enabled	J15	Closed
Onboard Game port disabled	J15	Open
í PS/2 mouse port enabled (IRQ12)	J27	Closed
PS/2 mouse port disabled	J27	Open
í Monitor type select color	J12	Closed
Monitor type select monochrome	J12	Open
í Onboard I/O ports enabled	J16	Closed
Onboard I/O ports disabled	J16	Open
í Hard drive boot from DOS boot block	J17	pins 2 & 3 closed
Hard drive boot from custom boot block	J17	pins 1 & 2 closed
í Flash BIOS write protect enabled	J20	Open
Flash BIOS write protect disabled	J20	Closed
í Onboard battery enabled	J24	Closed
Onboard battery disabled	J24	Open
í Speaker select internal	J39	pins 1 & 2 closed
Speaker select external	J39	pins 2 & 3 closed
Note: Parallel port, serial port, floppy drive interface, and IDE interface are configured through the BIOS setup options. J20 is only a trace, and has not been implemented in any production models of the board.		

DRAM CONFIGURATION (NO MEMORY SOLDERED TO BOARD)	
Size	Bank 0
2MB	(1) 512K x 36
4MB	(1) 1M x 36
8MB	(1) 2M x 36
16MB	(1) 4M x 36
32MB	(1) 8M x 36

DRAM CONFIGURATION (4MB OF MEMORY SOLDERED TO BOARD)			
Size	Bank 0	Parity 0 (P0)	Bank 1
4MB	(8) 441000	(1) 441000	NONE
6MB	(8) 441000	(1) 441000	(1) 512K x 36
8MB	(8) 441000	(1) 441000	(1) 1M x 36
12MB	(8) 441000	(1) 441000	(1) 2M x 36
20MB	(8) 441000	(1) 441000	(1) 4M x 36
36MB	(8) 441000	(1) 441000	(1) 8M x 36
Note: Bank 0 & parity 0 are soldered to the board.			

Continued on next page . . .

PACKARD BELL

PB410 & PB420/420T (REVISION C)

... continued from previous page

ONBOARD VIDEO CONFIGURATION			
Onboard Video	IRQ	J11	J22
í Enabled	IRQ9	pins 2 & 3 closed	Closed
Enabled	None	pins 2 & 3 closed	Open
Disabled	N/A	pins 1 & 2 closed	N/A

VRAM CONFIGURATION			
Size	Bank 0 (U23)	Bank 1 (U20)	Bank 1 (U22)
512KB	(1) 256K x 16 DIP	NONE	NONE
1MB factory installed	(1) 256K x 16 DIP	NONE	(1) 256K x 16 DIP
1MB user installed	(1) 256K x 16 DIP	(1) 256K x 16 ZIP	NONE

Note: If board is factory installed with 1MB of VRAM, a second 256K x 16 DIP will soldered on the board at U22. If board is factory configured with 512KB of VRAM, U22 will only be a trace, and a 40-pin ZIP socket will be installed at location U20. If the ZIP socket is present, there will also be traces for 2 additional zip sockets at U14 and U16. Sockets installed on ZIP socket traces will not function.

PARALLEL PORT IRQ CONFIGURATION	
IRQ	J13
í IRQ7	pins 1 & 2 closed
IRQ5	pins 2 & 3 closed

CPU TYPE CONFIGURATION			
CPU	J29	J34	J40
80486SX	Closed	pins 5 & 6 closed	pins 3 & 4 closed
80487SX	Closed	pins 3 & 4 closed	pins 1 & 2, 5 & 6 closed
80486DX	Closed	pins 1 & 2, 5 & 6 closed	pins 1 & 2, 5 & 6 closed
ODPR486SX-25MHz	Open	pins 1 & 2, 5 & 6 closed	pins 1 & 2, 5 & 6 closed
ODP486SX-33MHz	Open	pins 3 & 4 closed	pins 1 & 2, 5 & 6 closed
80486DX2	Open	pins 1 & 2, 5 & 6 closed	pins 1 & 2, 5 & 6 closed

CPU SPEED CONFIGURATION			
Speed	J23	J25	J26
20MHz	Closed	Open	Open
25/50i MHz	Open	Closed	Closed
33/66i MHz	Open	Closed	Open
40MHz	Open	Open	Closed

Continued on next page . . .

PACKARD BELL

PB410 & PB420/420T (REVISION C)

... continued from previous page

CACHE CONFIGURATION		
Size	Cache	TAG
í 32KB	(4) 8K x 8	(1) 8K x 8
128KB	(4) 32K x 8	(1) 32K x 8
512KB	(4) 128K x 8	(1) 128K x 8

CACHE JUMPER CONFIGURATION				
Size	J30	J31	J32	J33
í 32KB	Open	pins 1 & 2 closed	pins 1 & 2 closed	pins 1 & 2 closed
128KB	Closed	pins 2 & 3 closed	pins 2 & 3 closed	pins 1 & 2 closed
512KB	Closed	pins 2 & 3 closed	pins 2 & 3 closed	pins 2 & 3 closed