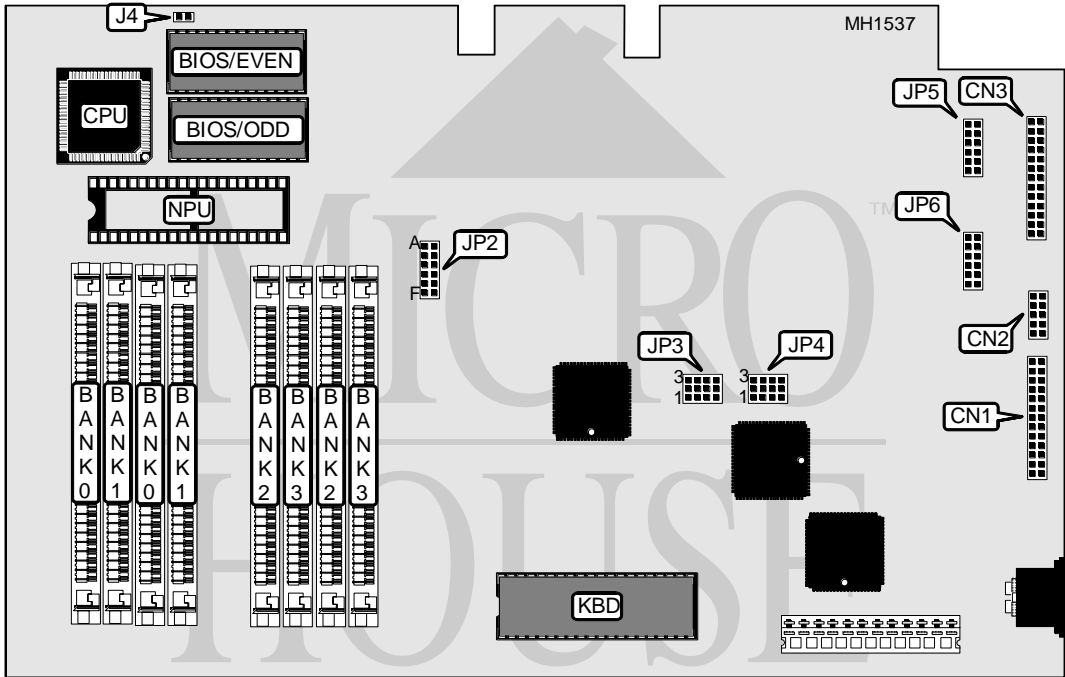


EVEREX SYSTEMS, INC.
TEMPO 286/12C (EV-2613)

Processor	80286
Processor Speed	12MHz
Chip Set	C & T
Max. onboard DRAM	8MB
SRAM Cache	NONE
BIOS	AMI
Dimensions	355mm x 304mm
I/O Options	NONE
NPU Options	80287



CONNECTIONS			
Purpose	Location	Purpose	Location
Parallel port	CN1	Serial port 0 (25 pin)	CN3
Serial port 1 (9 pin)	CN2		

Continued on next page . . .

EVEREX SYSTEMS, INC.
TEMPO 286/12C (EV-2613)

... continued from previous page

USER CONFIGURABLE SETTINGS		
Function	Jumper/Switch	Position
í IDE interface enabled	J4	Open
IDE interface disabled	J4	Closed

DRAM CONFIGURATION				
Size	Bank 0	Bank 1	Bank 2	Bank 3
512KB	(2) 256K x 9	NONE	NONE	NONE
1MB	(2) 256K x 9	(2) 256K x 9	NONE	NONE
2MB	(2) 1M x 9	NONE	NONE	NONE
2.5MB	(2) 1M x 9	(2) 256K x 9	NONE	NONE
4MB	(2) 1M x 9	(2) 1M x 9	NONE	NONE
6MB	(2) 1M x 9	(2) 1M x 9	(2) 1M x 9	NONE
8MB	(2) 1M x 9	(2) 1M x 9	(2) 1M x 9	(2) 1M x 9

PARALLEL PORT CONFIGURATION		
IRQ	JP2/A	JP2/B
5	Open	Closed
í 7	Closed	Open



I/O PORT CONFIGURATION					
Port 0 (CN3)	Port 1 (CN2)	JP2/C	JP2/D	JP2/E	JP2/F
COM2/IRQ3	COM1/IRQ4	Closed	Open	Open	Closed
COM1/IRQ4	COM2/IRQ3	Open	Closed	Closed	Open


HANDSHAKING CONFIGURATION		
Signal	JP3	JP4
DCD enabled	pins 2 & 3 closed	pins 1 & 2 closed
DCD disabled	pins 1 & 2 closed	pins 2 & 3 closed
CTS enabled	pins 2 & 3 closed	pins 1 & 2 closed
CTS disabled	pins 1 & 2 closed	pins 2 & 3 closed
DSR enabled	pins 2 & 3 closed	pins 1 & 2 closed
DSR disabled	pins 1 & 2 closed	pins 2 & 3 closed
RI enabled	pins 2 & 3 closed	pins 1 & 2 closed
RI disabled	pins 1 & 2 closed	pins 2 & 3 closed

Continued on next page ...

EVEREX SYSTEMS, INC.
TEMPO 286/12C (EV-2613)

... continued from previous page

PORT 0 (CN3) DCE/DTE CONFIGURATION	
Mode	JP5
DCE	
DTE	

PORT 1 (CN2) DCE/DTE CONFIGURATION	
Mode	JP6
DCE	
DTE	